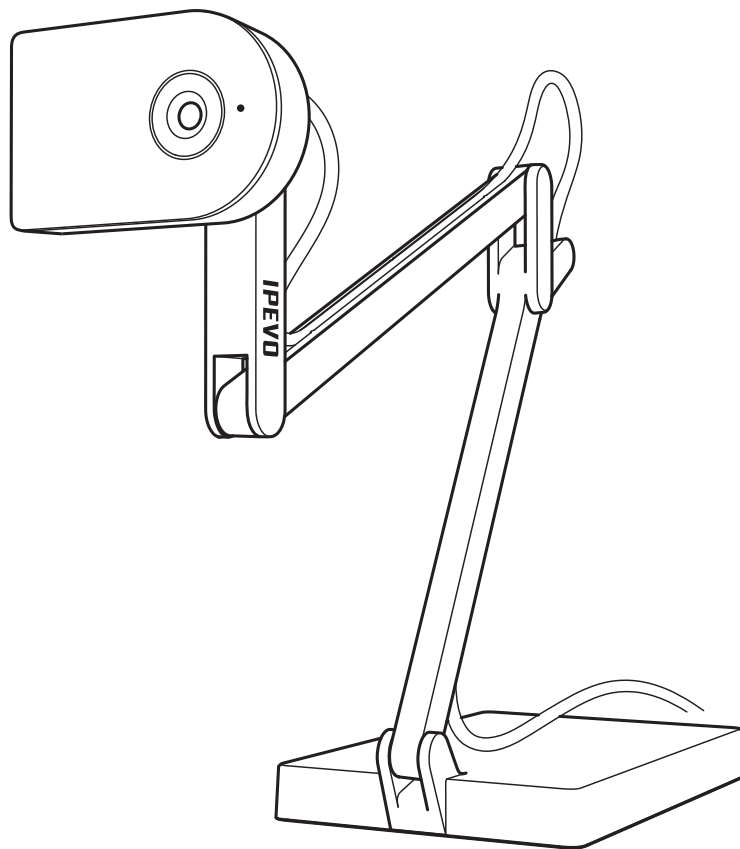


# Ziggi-HD Plus USB Document Camera User Manual



# TABLE OF CONTENTS

<b>Introduction</b> .....	<b>4</b>
The Basics	
What makes Ziggi-HD Plus different?	
How is Ziggi-HD Plus different from Ziggi-HD?	
<b>Package Contents</b> .....	<b>5</b>
Package Contents	
About the Packaging	
<b>Getting Help &amp; Software Information</b> .....	<b>6</b>
Getting Help	
Viewing your Software Version	
<b>Getting Started</b> .....	<b>7</b>
System Requirements	
Installation	
<b>Getting to Know Ziggi-HD Plus</b> .....	<b>8-9</b>
<b>IPEVO Presenter Software</b> .....	<b>10-12</b>
Introduction	
Changing the Window Size	
Camera Mode	
Review Mode	
<b>Getting a Great Image – Six Considerations</b> .....	<b>13</b>
<b>Image Size</b> .....	<b>14-15</b>
Changing Image Size	
Zoom Function	
Capturing a Standard Sheet of Paper	
<b>Image Orientation</b> .....	<b>16</b>
Landscape Versus Portrait	
Camera Lens Orientation	
<b>Changing Orientation</b> .....	<b>17-18</b>
Changing the Orientation of Document/Subject	
Using the Swivel Head	
Using the Mirroring Function	
Using the Rotation Function	
<b>Changing Exposure</b> .....	<b>19</b>
Changing the Exposure in Room	
Changing the Exposure using EXP Toggle or EXP Tab	
Exposure Lock (AE-Lock)	
<b>Focus</b> .....	<b>20-21</b>
Continuous & Single Focus Modes	
Focus Button	
Manual Focus	
Focusing	
<b>Resolution</b> .....	<b>22</b>
Resolution	
Changing Resolution	
Resolution & Frame Rate	

# TABLE OF CONTENTS

<b>White Balance</b> .....	<b>23</b>
White Balance	
Manually Adjusting White Balance	
<b>Snapshots</b> .....	<b>24</b>
Snapshots	
Taking a Snapshot	
Using the Timer Function	
<b>Automated Shooting</b> .....	<b>25</b>
<b>Photo Albums</b> .....	<b>26</b>
<b>Recording Videos</b> .....	<b>27</b>
<b>Projecting your Image</b> .....	<b>28</b>
Full Screen Mode	
Display Mode	
<b>Preparing for Projection</b> .....	<b>29</b>
Mirroring your Desktop	
<b>Advanced Settings</b> .....	<b>30-32</b>
	<b>(Windows 30-31; Mac 31-32)</b>
Instant Preview	
Snapshot Timer	
Sound Effects On/Off	
Keep Camera Mode Settings	
Refresh Rate	
Show Restrictions and Tips	
Create New Album	
Selecting Audio Device	
<b>Image Adjustments</b> .....	<b>33</b>
Image Adjustment Tab	
<b>Using Ziggi-HD Plus in Other Ways</b> .....	<b>34</b>
Using Ziggi-HD Plus as a Web/Conferencing Camera	
Built-in Microphone	
<b>Multiple Doc Cam Support</b> .....	<b>35</b>
<b>Splitscreen Mode</b> .....	<b>36</b>
<b>Anti-glare Shield</b> .....	<b>37</b>
Using the Anti-glare Shield	
Mounting the Anti-glare Shield	
<b>Closing &amp; Exiting IPEVO Presenter Software</b> .....	<b>38</b>
Closing & Exiting	
Keyboard Shortcuts	
<b>Troubleshooting &amp; FAQ</b> .....	<b>39</b>
<b>Safety Information</b> .....	<b>40</b>
Safety Information	
Acknowledgments	

## THE BASICS

Thank you for your purchase of the Ziggi-HD Plus USB Document Camera. The Ziggi-HD Plus is a multifunctional document camera for PC, Mac or Chromebook that provides real-time video capture in stunning high-definition clarity for documents as well as devices with digital screens such as smartphones and Apple's iPad. In addition to its effortless document alignment, the Ziggi-HD Plus offers features and functionality similar to document cameras costing hundreds or even thousands more, all in a compact and easy-to-use device.

## WHAT MAKES ZIGGI-HD PLUS DIFFERENT?

**Versatility** – Ziggi-HD Plus's unique multi-jointed stand gives you the freedom to place the camera in a wide variety of positions without the hassle of tightening knobs or otherwise locking the stand. At all positions, Ziggi-HD Plus will remain secure and stable because of its weighted base, offering you on-the-fly customization of your image. The Ziggi-HD Plus stand can fully extend to capture an entire standard sheet of paper.

**High-Definition Capture** – Ziggi-HD Plus features an 8 Megapixel camera and can achieve a resolution of up to 3264 x 2448 pixels, an improvement over the original Ziggi-HD's 5 Megapixel camera. This high-definition video capture provides an exceptionally crisp and brilliant image. Additionally, Ziggi-HD Plus features a powerful zoom (up to 12x magnification) as well as a Macro mode which allows for sharp focus on very close subjects up to 3.94 inches (10 cm) away. For these reasons, Ziggi-HD Plus is ideal for capturing minute details of documents and pictures. High-resolution capture is also appropriate for large-screen projections.

**Effortless Autofocus** – Ziggi-HD Plus has a smart focusing system that gives you manual control when you need it and convenient automatic control when you don't. Ziggi-HD Plus can be set to either of two focus settings:

- **Continuous Focus** – in which Ziggi-HD Plus automatically and constantly determines the best focus. In this mode, you are free to move the subject around, and the focus will continue to stay sharp.
- **Single Focus** – in which you set focus once, with Ziggi-HD Plus staying in focus setting. This mode is best for a subject that will remain at the same distance from the camera, such as a static sheet of paper. This mode is also ideal for Ziggi-HD Plus's higher resolutions.

**Feature-Rich Presenter Software** – the Presenter software provides a number of functions and customizations to get the most out of your Ziggi-HD Plus experience. Toggling resolutions, organizing snapshots, setting exposure levels, recording video, splitting the image into two panes, mirroring and rotating the image, and enlarging the image to full screen are just some of the features of this software. The IPEVO Presenter software can be downloaded at <http://support.ipevo.com/presenter>.

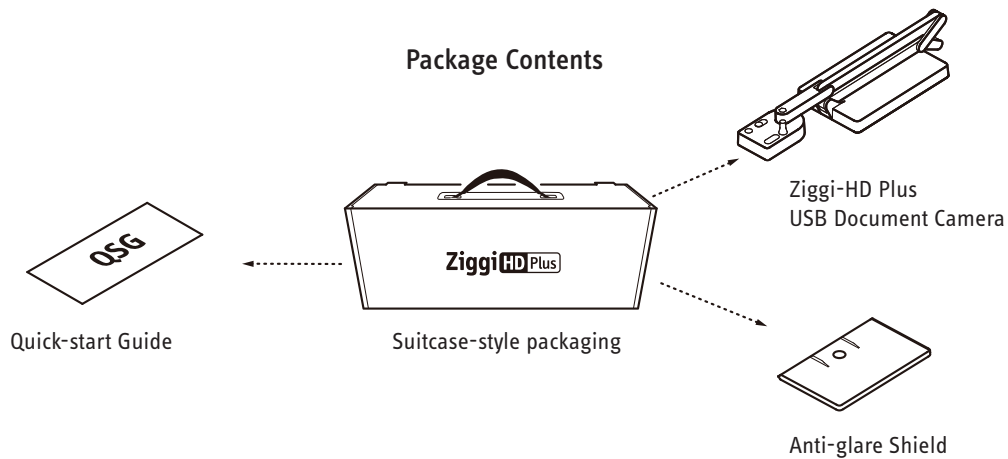
## HOW IS ZIGGI-HD PLUS DIFFERENT FROM ZIGGI-HD?

For users of the original Ziggi-HD, we've taken everything you enjoyed and made it even better for the Ziggi-HD Plus. As mentioned, an 8 Megapixel camera allows for higher resolutions and even crisper images. Frame rate has been improved for higher resolutions, and noise has been reduced for darker portions of images. Focus is now dramatically faster and will take only a few seconds. Finally, a new white balance feature renders more accurate and more natural colors.

## PACKAGE CONTENTS

Your package should contain the following:

- Ziggi-HD Plus camera unit, including multi-jointed stand
- Anti-Glare Shield
- Quick Start Guide



## ABOUT THE PACKAGING

IPEVO has a longstanding commitment to green business practices, and this extends to our product packaging. We like our products to do the talking, not fancy packaging! Your Ziggi-HD Plus has been shipped with a minimum of packaging materials, particularly a minimum of plastic. The plain craft paper box (which does not contain high-resolution graphics or wasteful multi-color printing) is recyclable, as are the cardboard cut-outs keeping the Ziggi-HD Plus in place.

## GETTING HELP

We want to help you enjoy your Ziggi-HD Plus, and we are always available to answer any questions or offer technical and troubleshooting assistance. Consider using one or more of these resources:

- **IPEVO.com** – The latest versions of the Ziggi-HD Plus software, User Manual, FAQ, and other downloads are available at this link: <http://support.ipevo.com/ziggi-hd-plus>
- **Email** – Send us an email at [cs@ipevo.com](mailto:cs@ipevo.com) with your question or concern. For the best and most prompt service, include the version of your operating system with any inquiry, as well as a detailed explanation of the issue you are experiencing.
- **Phone** – Customer service representatives are available to assist you Monday through Friday, from 8 a.m. until 4 p.m. Pacific Standard Time (PST). Our telephone number is 1 (408) 490 - 3085.
- **Online Help** – Online Help is available through our website, [www.ipevo.com](http://www.ipevo.com). A link in the top middle section of the main page will take you to an Instant Messaging session in which you can correspond with a customer service representative directly. This feature is available during the same hours and days as our telephone support.
- **Help Link** – Help, within the Presenter software, will bring you to IPEVO's website for the latest version of the software and other support and information. To access Help:

**Windows** – Click on Help (the question mark icon) in the upper right-hand corner of the software.

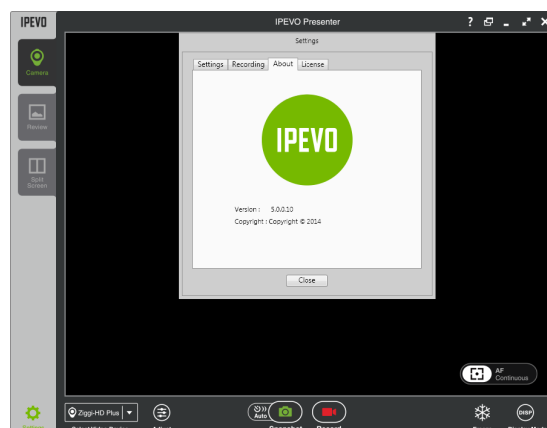


**Macintosh** – Select Help > Presenter Help.

## VIEWING YOUR SOFTWARE'S VERSION

We recommend periodically checking IPEVO.com for the latest version of the Presenter software. To determine the software version you are currently running, do one of the following:

**Windows** – Click on Settings (the gear icon) in the lower left-hand corner, then click the About tab.



**Macintosh** – In the menu bar, click Presenter > About Presenter.

## SYSTEM REQUIREMENTS

Ziggi-HD Plus requires a PC or Mac system with these recommended specifications:

### PC

- Microsoft Windows Vista, 7, 8, 8.1, 10
- Intel® Core™ i3 CPU 530 @ 2.93GHz or higher
- 4 GB RAM
- 200MB of free hard disk space
- 256MB of dedicated video memory

### Mac

#### Minimum Requirements

- Intel® Core™ 2 Duo 2.4GHz CPU or higher
- OS X 10.8 or higher
- 2 GB RAM
- 200MB of free hard disk space
- 256MB of dedicated video memory  
(For lag-free live streaming up to 1280 x 720)

#### Recommended Requirements

- Intel® Core™ i5 CPU or higher
- OS X 10.10
- 2 GB RAM
- 200MB of free hard disk space
- 256MB of dedicated video memory  
(For lag-free live streaming up to 3264 x 2448, and video recording of 1920 x 1080 and above)

## INSTALLATION

Ziggi-HD Plus requires IPEVO Presenter software to function. Presenter is not included in this package but is available for free to download. Please visit the IPEVO website to download the latest version at: <http://support.ipevo.com/presenter>

Ziggi-HD Plus is compatible with both PC and Mac and can be installed in just a few simple steps:

1. Double-click the downloaded file and follow the prompts to install Presenter.
2. Connect Ziggi-HD Plus's USB cord to any open USB port on your computer.
3. Launch the Presenter software. A window containing a live video image from your Ziggi-HD Plus should appear. Ziggi-HD Plus is now ready to use.

*Note : If you have previously purchased IPEVO's Document Cameras, you may have a previous version of Presenter software installed on your system. By installing the latest version of Presenter, the older version of Presenter on your computer will be removed or replaced.*

## GETTING TO KNOW ZIGGI-HD PLUS

Take some time to familiarize yourself with the key features of Ziggi-HD Plus:

### A – Stand

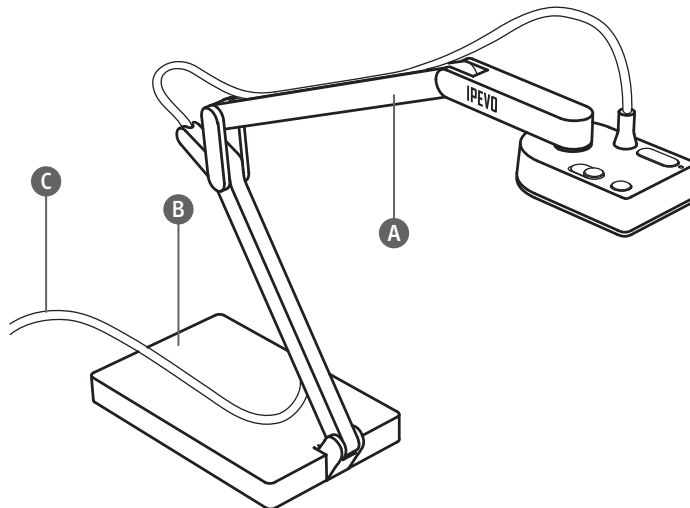
Ziggi-HD Plus's stand has three points of articulation with generous degrees of freedom, allowing you to place the camera by hand in any position, depending on subject and desired image size. Collapse the stand for compact portability.

### B – Base

The weighted base provides a sturdy foundation for placing the camera in any position.

### C – USB Cord

Inserted into any standard USB port, the cord powers the device and allows it to communicate with your computer.



# GETTING TO KNOW ZIGGI-HD PLUS(CONT'D)

## D – Camera lens

Ziggi-HD Plus features a 8.0 Megapixel lens for detailed and vibrant images, allowing for a maximum resolution of 3264 x 2448. Ziggi-HD Plus has an automatic Macro mode for maintaining sharp focus on objects as close as 3.94 inches (10 cm) away.

## E – Swivel head

In addition to the joints of the stand, you can further customize your image by swiveling the camera. 270° of swivel is possible – 180° clockwise and 90° counterclockwise. See Pages 16 through 18 for more on orientation.

## F – EXP +/- (Exposure Value)

This toggle allows you to increase or decrease artificial exposure of the image, making it brighter (+) or darker (-). See Page 19 for more on exposure.

## G – Autofocus (AF) switch

Set your focus to one of two modes. Continuous (C) causes Ziggi-HD Plus to constantly determine the best focus for your image. Single (S) causes Ziggi-HD Plus to stay at a single focus. See Page 20 for more on focus.

## H – Focus button

In Single focus mode, press this button for sharp focus of your subject. It only takes a few seconds for Ziggi-HD Plus to determine and set proper focus.

## I – Camera indicator

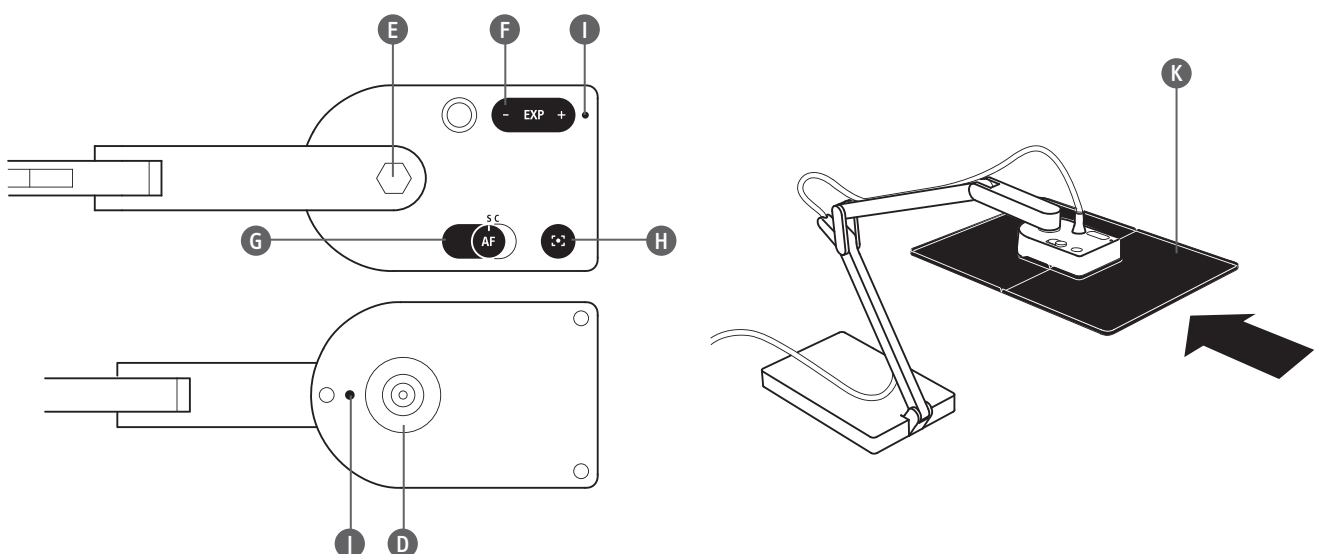
The Camera indicator gives you an easy way to know whether Ziggi-HD Plus is operating: white for operating, off for not. When you start the Presenter software, the Camera indicator will light up. The Camera indicator has been positioned on the top of the camera so it will not reflect on any digital screens you might be capturing.

## J – Microphone

Ziggi-HD Plus features a built-in microphone which can be used to capture your voice for video conferencing sessions and other applications. There is no on/off switch for the microphone – it is simply active and on when your Ziggi-HD Plus is on.

## K – Anti-Glare Shield

If you are experiencing glare in your video capture, consider mounting the Anti-Glare Shield onto the camera. See Page 37 for more on the Anti-Glare Shield.



## INTRODUCTION

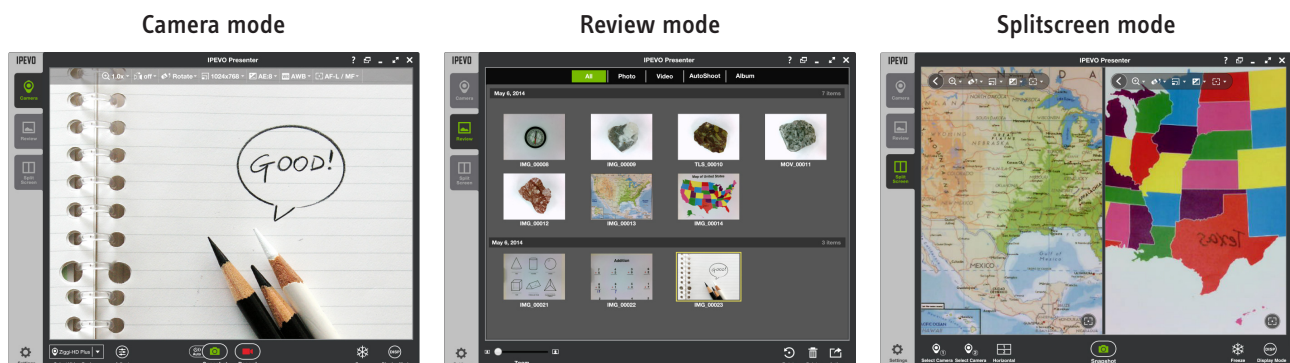
Specially-designed IPEVO Presenter software provides a rich suite of features to maximize your Ziggi-HD Plus use.

IPEVO Presenter operates in one of three modes:

- **Camera mode** – This is the default mode upon software startup. This mode shows the current video capture coming from the Ziggi-HD Plus camera. In this mode, you are also able to change aspects of the image such as exposure, mirroring, and resolution. See Page 13 to get started with capturing your image.
- **Review mode** – This mode gives you an easy way to review snapshots and videos taken with your Ziggi-HD Plus. Snapshots and videos are presented as thumbnail images sorted by date. See Page 24 for more on taking snapshots.
- **Splitscreen mode** – The video feed from two doc cams can be presented side by side, or a single doc cam's feed can be split into two. See Page 36 for more about splitscreen.

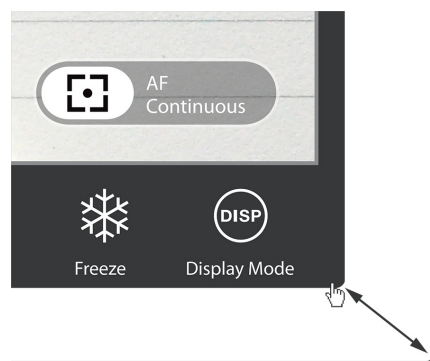
*\* Please note: Do not use a USB hub for this purpose. You'll need to plug the two document cameras into the USB ports on your computer. High computer performance is required when two doc cams are connected at high resolutions. If the image freezes or lags in this setup, consider lowering the resolution.*

To switch between modes, click on one of the Mode Tabs on the left-hand side of the capture window.



## CHANGING THE WINDOW SIZE

The size of the Presenter window can be changed by clicking and dragging on the edges of the window.



Or, click on the arrows in the top right to enter full screen mode. In this mode, the image fills up the entire computer screen. Full screen is particularly useful when you need to project the Ziggi-HD Plus's video for presentations. See Pages 28 and 29 for more on projecting your image.

## CAMERA MODE

Please review the basic elements of the Presenter software:

### A – Mode Tab

Modes can be selected by clicking on the appropriate tab.

### B – Camera Mode

Several camera functions can be changed using the pulldown menus. These include: Zoom, Mirroring Mode, Rotation, Resolution, Exposure and White Balance. This tab will also communicate the current settings of these functions.

### C – Snapshot Button

Click the green camera icon to take a snapshot. *See Page 24 for more on taking snapshots.*

### D – Auto

This function sets up an automatic shooting schedule for snapshots. *See Page 25.*

### E – Video Button

Click the red video camera icon to begin recording video. *See Page 27 for more on recording video.*

### F – Focus Button

Click the rectangular crosshairs icon to focus the image. Below this icon, the software will tell you whether you are in Single (AF-S) or Continuous (AF-C) focus mode.

### G – Settings

Here, you can access additional settings such as Sound Effect, Snapshot Timer, Refresh Rate and Video Settings.

### H – Select Video Device

If you have multiple connected video devices, be sure to select Ziggi-HD Plus as your video device.

### I – Adjust

Adjust certain parameters of the image such as Saturation and Hue. *See Page 33.*

### J – Freeze

Clicking this icon will freeze the current image indefinitely. Click the icon again to "unfreeze" the image and return to live action.

### K – Display Mode

Click this icon to remove the top pulldown menus for an uncluttered image suitable for presentation.



## REVIEW MODE

To review snapshots and videos you've taken (see Pages 24 through 27), enter Review mode by clicking on the Review tab on the left-hand side of the Presenter window.

### A – Image Pane

This shows thumbnails of snapshots and videos sorted by date. Videos are differentiated by the white video camera icon in the center of the thumbnail. Double-click on a thumbnail to make that snapshot or video full screen.

### B – Sort

Choose between seeing all snapshots and videos, only snapshots, or only videos. You can also select AutoShoot to display automated snapshot series, and Album to display any photo albums you've created. See Pages 25 and 26 for more on Autoshowing and Albums.

### C – Slideshow Mode

Double-clicking on a thumbnail will enter a slideshow. Top numbers indicate the total number of images, along with which image you are viewing currently. Click on the arrows on either side of the numbers to switch between images. Click "Back" at the top left to return to thumbnails.

### D – Zoom

Slide to make either thumbnails or full-screen images larger or smaller.

### E – Rotate

Select a snapshot to rotate it 90 degrees. Note that videos cannot be rotated.

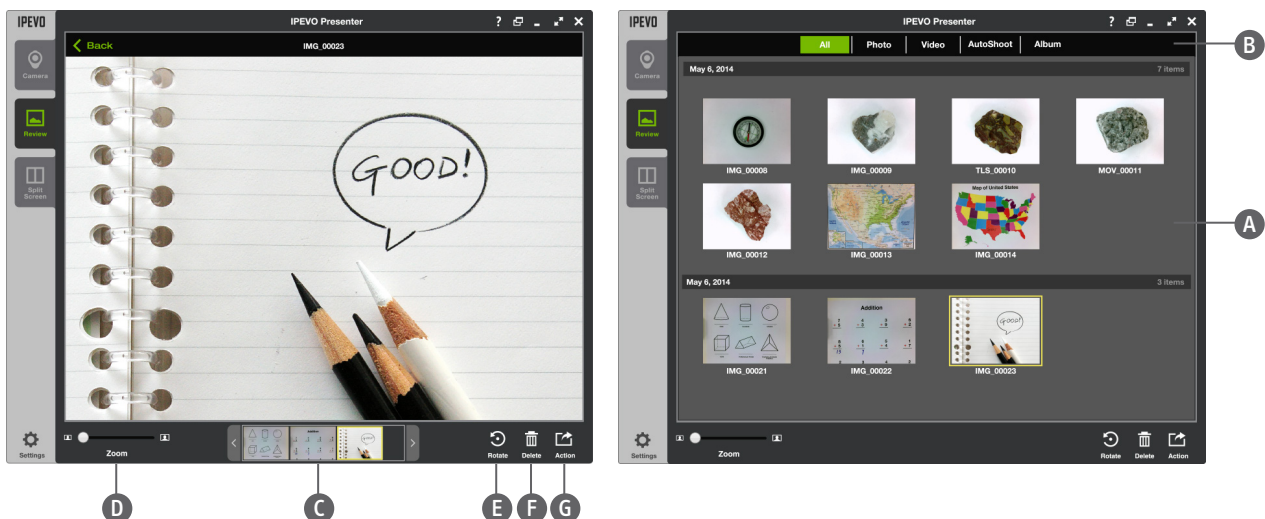
### F – Delete

Select a snapshot or video and click Delete to delete it from your hard drive.

### G – Share

Selected images can either be exported to PDF or exported to a specified place on your hard drive or network.

Review mode



Please note: Thumbnails may also be selected and right-clicked to bring up options to Rotate, Delete, or Export the images.

## GETTING A GREAT IMAGE – SIX CONSIDERATIONS

When configuring the camera for your desired image, you will be chiefly concerned with the following six elements:

- **Image size** - How large or small the subject appears in the frame (i.e. the window of the Presenter software). When dealing with text, it is essential the text appears large enough for its intended audience to read. *See Pages 14 and 15.*
- **Orientation** - How the image is oriented relative to the frame. Naturally, it is necessary to present text in an upright, readable orientation. *See Pages 16 through 18.*
- **Exposure** - Exposure is a measure of how much light is allowed to affect the image. Normally, you are seeking a medium exposure in which all the important details in the image can be viewed. Too little light will render a dark image that loses crucial details. On the other hand, too much light will result in a “blown-out” image that also loses detail. *See Page 19.*
- **Focus** - You will normally want your image to be sharp as opposed to blurry, which concerns focus. *See Page 20.*
- **Resolution** - Resolution describes the amount of detail (information) an image holds. The Presenter software allows you to change between several different resolutions. Higher resolutions communicate more detail, and are often necessary for large-screen projections. *See Page 22.*
- **White Balance** - This refers to adjusting the image to more accurately render color. An image may appear cooler or warmer depending on lighting conditions. *See Page 23.*

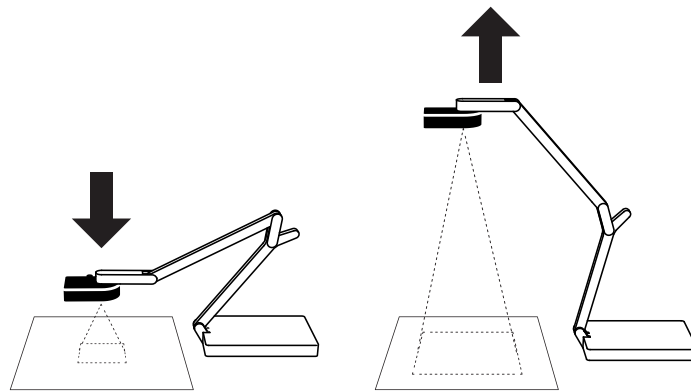
We will examine each of these six elements in turn.

## CHANGING IMAGE SIZE

For documents, your video capture is a balance between capturing as much of the document as possible, and making the text large enough on screen for your intended audience to read. Text size needs to be particularly large when the image is projected onto a screen for a group.

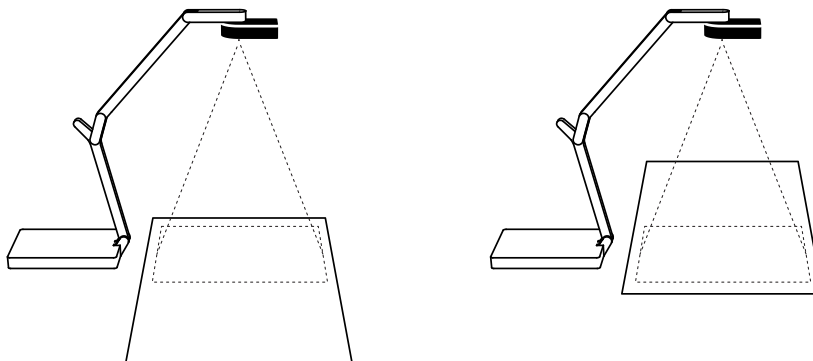
There are a few ways to change the image size:

- **Change the position of the camera** – Ziggi-HD Plus's multi-jointed stand gives you a high degree of flexibility in camera placement. Alter any or all of the stand's three points of articulation in order to optimally position the camera.



The stand provides a large range of possible camera positions

- **Change the position of the subject** – When capturing a document, you will likely position it on the tabletop, on the same plane as your Ziggi-HD Plus base. When capturing close-up details or text passages from a document, you may find it handy to shift the document as you move from detail to detail, essentially scrolling through the text as necessary.



Text document in one position under Ziggi-HD Plus with camera lens capturing top half of document, then moved “up” so that the camera lens is capturing the bottom half of document

## Zoom Function

In the Camera mode of the Presenter software, the Zoom tab allows you to digitally “zoom in” to your subject to make it appear bigger, anywhere from 1x (default, or no zoom) to 12x (or 12 times normal) in whole number increments.



**Zoom Box** – When zoomed in, a gray box appears in the lower-left of the capture window with a smaller box inside it. The large box represents the original field of vision (the 1x zoom), while the smaller box represents the zoomed-in area you are currently viewing. You can click and drag the smaller box to selectively zoom to different portions within the original field of vision.

*Note: Focusing while zoomed in will focus according to the center of the original full image, and not the partial zoomed-in area.*

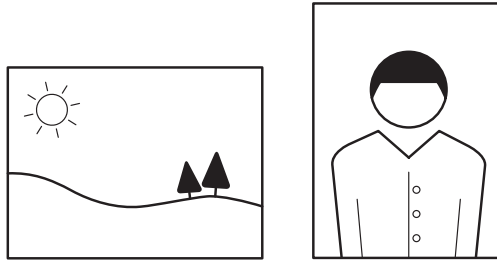


## CAPTURING A STANDARD SHEET OF PAPER

At full extension, Ziggi-HD Plus is designed to be high enough to capture an entire standard (A4) sheet of paper. However, you might elect to bring the camera closer to capture details from a particular document. Note that while the Ziggi-HD Plus has ample resolution to capture larger A3-sized paper, Ziggi-HD Plus would need to be placed on something (such as a stack of books) to make the camera high enough to completely capture an A3 document.

## LANDSCAPE VERSUS PORTRAIT

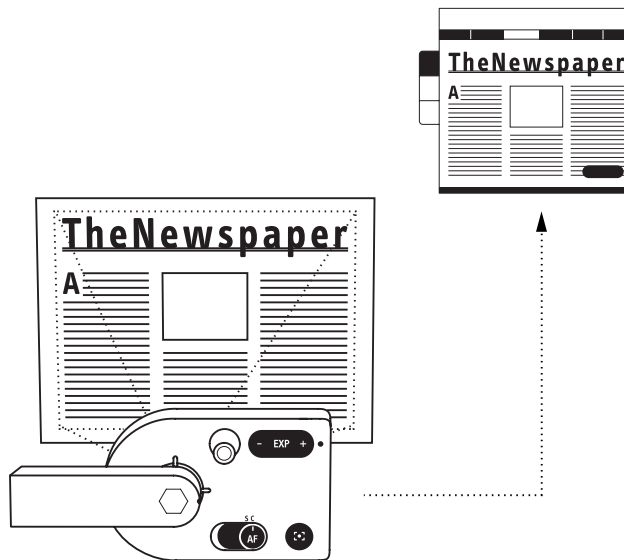
Two ways to describe page orientation come from the tradition of painting. Landscape refers to an image oriented so that its width is greater than its height, such as a classic landscape painting. Portrait orientation, on the other hand, features a height greater than its width, such as would be appropriate for a portrait painting. When deciding upon orientation, keep in mind whether the document to be captured is in landscape or portrait. You will need to control the orientation of your subject relative to the computer screen so that the text is presented in a readable fashion.



Landscape versus Portrait orientations

## CAMERA LENS ORIENTATION

The top of the Ziggi-HD Plus camera lens is located 90° counterclockwise from the square top of the camera body. With the camera head in its fully-extended position, documents will need to be placed perpendicular to the camera stand (as opposed to parallel) for text to be rendered “right side up” and readable on screen.



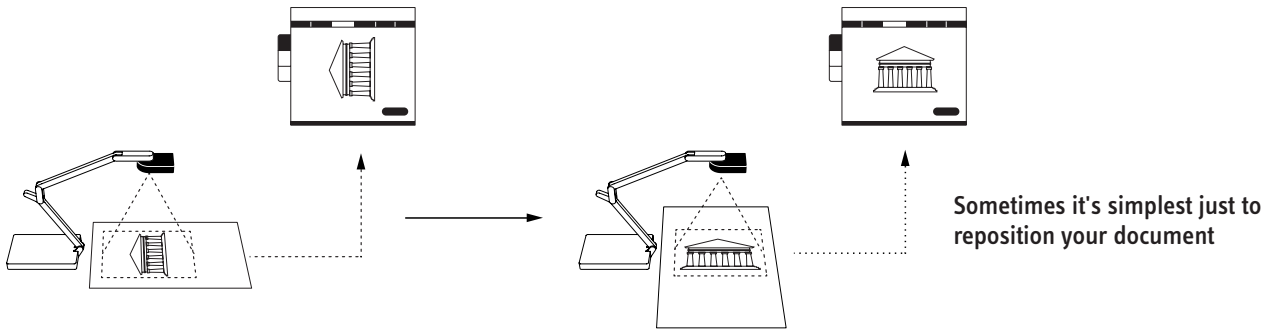
Place documents perpendicular to the camera head for correct orientation

# CHANGING ORIENTATION

You have several ways to change the orientation of your image:

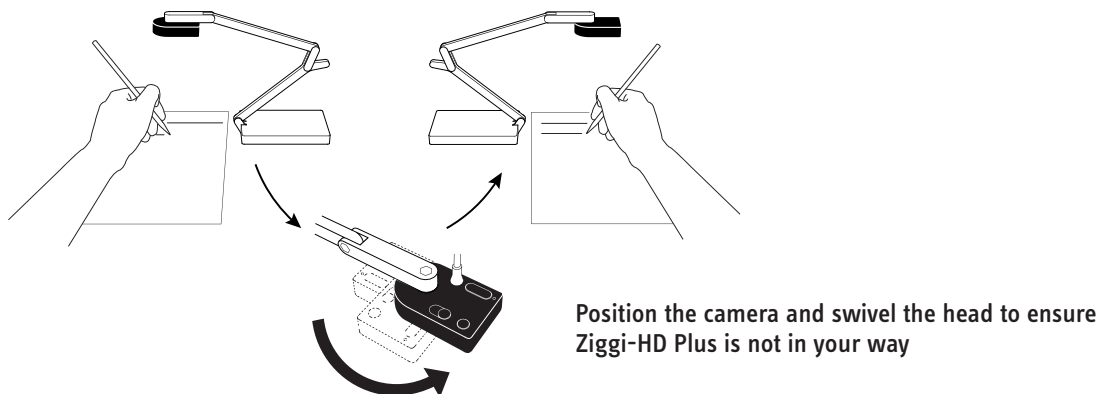
## CHANGE THE ORIENTATION OF DOCUMENT/SUBJECT

You may find it easiest to simply change the orientation of the subject you are capturing: 90° in either direction or turning 180° “upside down.”



## USING THE SWIVEL HEAD

Ziggi-HD Plus's camera head is expressly designed to give you an easy way to alter orientation. From its fully-extended position, Ziggi-HD Plus can be swiveled 180° clockwise and 90° counterclockwise. Find the position that works best for yourself and your subject. For example, if you are giving a presentation and need access to the subject for a hands-on demonstration or to frequently change its position, you might consider moving the stand to one side of the subject—and changing orientation through the swivel head accordingly—so that the stand does not get in your way.

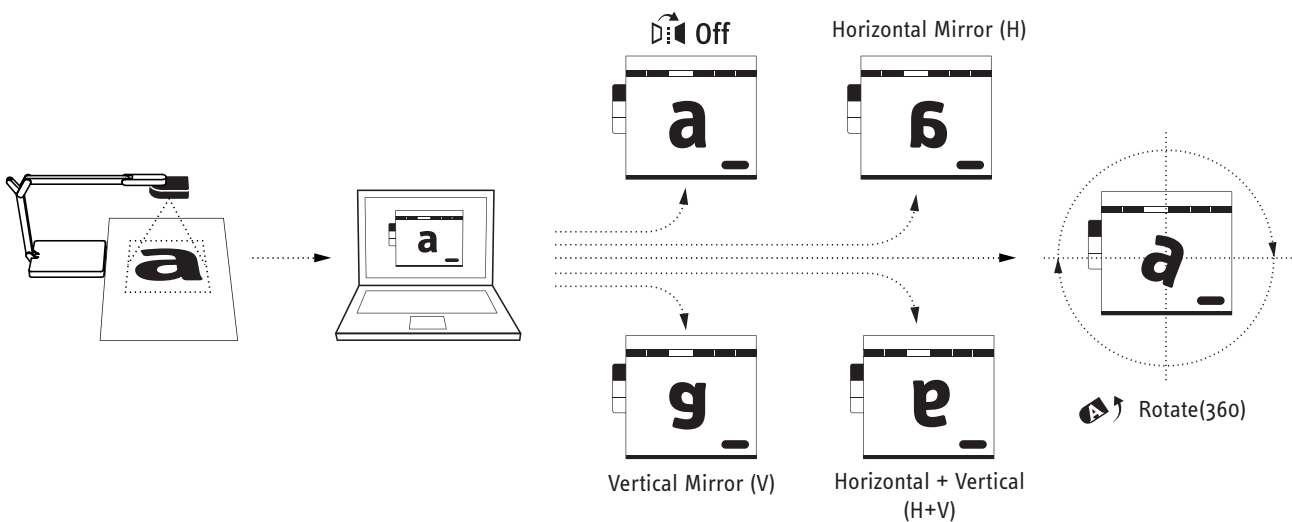


## USING THE MIRRORING FUNCTION

In Camera mode, the Mirror tab allows you to flip the image horizontally, vertically, or both. Mirroring defaults to Off (no mirroring). “Horizontal” flips the image on a vertical axis going through the center of the image, while “Vertical” flips the image on a horizontal axis going through the center of the image. The tab will indicate H (Horizontal), V (Vertical), or H + V if both types of mirroring are being applied.

## USING THE ROTATION FUNCTION

In Camera mode, the Rotate tab allows a greater degree of freedom than mirroring. Drag the arrow to alter the orientation, or press the arrow keys for incremental rotations. You can also click the five pre-set rotations. Press Reset to return to the original orientation.



# CHANGING EXPOSURE

Exposure refers to the amount of light allowed to hit the photographic medium—in this case, the sensor of the camera lens. In most circumstances, you will require a medium exposure allowing for the maximum amount of detail. By default, Ziggi-HD Plus will automatically determine, present and maintain a medium, optimum exposure.

Consider the following methods to achieve optimum exposure for your image:

## CHANGING THE EXPOSURE IN ROOM

This could include using a desk lamp near the Ziggi-HD Plus to shine additional light on the subject, turning on room lights, opening or closing curtains, etc.

## CHANGING THE EXPOSURE USING EXP TOGGLE OR EXP TAB

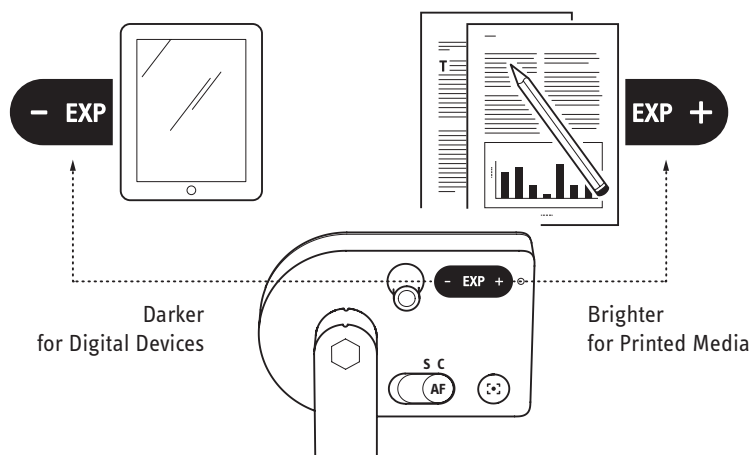
Ziggi-HD Plus is able to artificially alter exposure on a fifteen-point scale, with 1 being the lowest (darkest) exposure value, and 15 being the highest (brightest) exposure value. If your image is too dark, consider increasing the EXP. Or, if your image is too bright, decrease the EXP. The EXP may be changed on either the camera body itself or via the software.

- *Camera body:* Use the EXP +/- toggle for on-the-fly exposure adjustments. The software will briefly indicate the change with an EXP number at the bottom of the image capture window, and your exposure will instantly change.
- *Software:* Click on the "AE" Exposure tab. You may either click on the Exposure Slider bar to change EXP, or drag the pointer to a value. Hitting "Default" will bring the exposure back to the default value.

## EXPOSURE LOCK (AE-LOCK)

Check the AE - Lock button on the Exposure tab to lock the exposure. Ziggi-HD Plus will not attempt to find optimal exposure but will instead stay at the current exposure level.

*Note for stop-motion animation projects: For projects depending on uniform, consistent exposure over a long period, lock the exposure with the AE - Lock button on the Exposure tab.*



Focus refers to the convergence of light in your image. If your subject is “in focus,” light is properly converged at the right point. If your subject is “out of focus,” light has not properly converged at the right point. In most circumstances, you want your image to be sharp and in focus.

## CONTINUOUS AND SINGLE FOCUS MODES

Ziggi-HD Plus gives you a few tools to achieve proper focus, including the ability to automate focus for convenience. It can be set to one of two focus modes using the Autofocus (AF) switch on the camera body. The software will indicate which focus mode you are in with either “Single” or “Continuous” under “AF” in the lower right-hand corner of the screen.

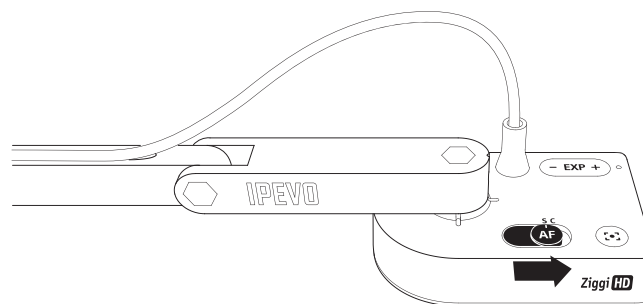
- *Continuous (C) mode:* In Continuous mode, Ziggi-HD Plus will constantly determine the best focus for your image and change its focal length accordingly. This is ideal for “set it and forget it” convenience, and also if the distance between the camera and the subject will be changing. For example, if you are showing the parts of a phone and are flipping the phone around in a hands-on demonstration, setting the Ziggi-HD Plus in Continuous mode will ensure your image is always in sharp focus.
- *Single (S) mode:* In Single mode, Ziggi-HD Plus will stay at a single focal length, and will not try to constantly adjust itself. This mode is ideal for manual control of focus. If you are capturing a text document laid on the table which is not moving, single mode will be sufficient for sharp focus. This mode is also best for the highest resolutions when frame rate drops significantly. See Page 22.

## FOCUS BUTTON

While the focus button is best for Single mode manual focus control, it will also work in Continuous mode. There are two focus buttons: the physical button on the camera body, and the four-cornered “crosshair” icon in the lower right-hand corner of the software. In either case, Ziggi-HD Plus will find the optimum focus.

## MANUAL FOCUS

Drag the Focus Slider to the desired focus under the “AF-L/MF” tab in the Presenter software. The selected focus will lock in place. To return to the Autofocus mode, uncheck the “AF-Lock” box or follow the Refocusing steps above.



## FOCUSING

When focusing, four corners of a red box will appear in the center of the screen and a beep will sound, letting you know Ziggi-HD Plus is attempting to focus. The image may appear to slightly zoom in and out. When Ziggi-HD Plus is done focusing, the red corners will change to green corners, and there will be two quick beeps. *For disabling the beep sound effects, see Page 30, Advanced Settings.*



## RESOLUTION

Resolution describes the amount of detail (information) an image holds. High resolutions relay more information (and therefore more detail), and also consume more computing power. Low resolutions communicate less detail but are also less demanding of computer resources. Resolution is measured in pixels, the smallest part of a picture element. Ziggi-HD Plus's 8 Megapixel camera is capable of several high-definition resolutions.

## CHANGING RESOLUTION

To change resolution, click on the Resolution tab in Camera mode. There are 10 different resolutions to choose from, ranging from 3264 x 2448 pixels (the highest resolution) to 640 x 480 pixels (the lowest resolution). As 1280 x 720 resolution (and above) is commonly accepted to be “high-definition” (HD), the top seven resolutions are HD resolutions, while the three lower resolutions are standard-definition (SD) resolutions.



## RESOLUTION AND FRAME RATE

Generally, as resolution increases, frame rate decreases. Frame rate is a measure of how many distinct images are captured in a single second to make up the full-motion video perceived.

Because the top three resolutions contain an extraordinary amount of information, frame rate may drop with these resolutions. You may experience a “stuttering,” “blurring,” or “strobing” of moving subjects, such as with a hands-on demonstration. As such, the top three resolutions are best reserved for static objects (such as a stationary piece of paper or LCD screen).

If you find the amount of strobing to be unacceptable on your current resolution, consider lowering the resolution, which will increase frame rate and reduce or eliminate strobing.

*Focus Note:* For the higher resolutions, Single Focus mode (rather than Continuous) is highly recommended.

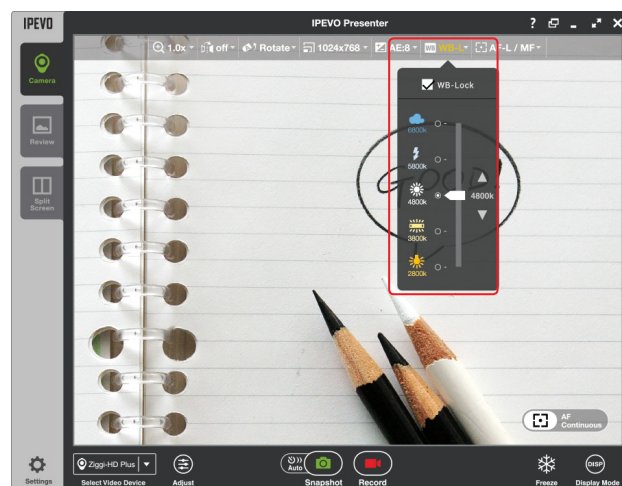
*Note on Highest Resolution:* See Page 7 for recommended system requirements for the highest resolution. As discussed above, low-performance computers may have a lag problem when presenting video at the highest resolution.

## WHITE BALANCE

"White balance" or "color balance" refers to adjusting an image in order to accurately render color. Ziggi-HD Plus automatically seeks the correct white balance so that colors (including white) are presented as close to reality as possible.

## MANUALLY ADJUSTING WHITE BALANCE

To manually adjust white balance, select the AWB (Automatic White Balance) pulldown menu in Camera mode in the Presenter window. The slider may be dragged to higher (or lower) color temperatures to correct the current low (or high) white balance environment to produce more neutral colors.



## SNAPSHOTS

Ziggi-HD Plus has the ability to take snapshots, still images extracted from the current video capture. Ziggi-HD Plus saves these snapshots, in .jpg format onto your computer's hard drive.

Taking a snapshot is simple – click the green camera icon at the bottom of the Presenter window in Camera mode.



## TAKING A SNAPSHOT

Once you take a snapshot, the screen will briefly go black, accompanied by a classic shutter sound effect, and then your snapshot will appear on screen in an Instant Preview. After another brief period of black, the video capture function will resume. For changing or disabling Instant Preview, and for disabling the shutter sound effect, see Page 30, Advanced Settings.

## USING THE TIMER FUNCTION

The Timer provides a delay (in seconds) between the time you press the Snapshot button and the time when Ziggi-HD Plus actually takes the snapshot. You might find this delay necessary to avoid any shake in the camera body that could result in a blurry image. Using the Timer eliminates this possibility.

When using the Timer, a countdown will appear on screen, with beeps for each second.

The Snapshot Timer, located via Settings (see Page 30), can be set to either 3 seconds or 10 seconds. By default, the Timer is set to Off.



To review snapshots, enter Review mode. See Page 12.

## AUTOMATED SHOOTING

IPEVO Presenter features an automatic shooting scheduler for capturing multiple snapshots. This tool is ideal for archiving different materials quickly, for time-lapse photography, and for stop-motion videos.



Clicking Auto in Camera mode will bring up a window allowing you to set up the automated shooting schedule. Once set, Presenter will take snapshots automatically at intervals of your choosing.

- **Project Name** – Name your automated snapshot series. It can be accessed in Review mode.
- **Interval** – Type in numbers or tap the arrow keys to set your desired interval between snapshots in hours (HH), minutes (MM) and seconds (SS).
- **Total Images** – Type in numbers or tap the arrow keys to set the total number of images (snapshots) you'd like to take in your automated snapshot series.
- **Time Remaining** – Indicates the total time left for the current automated snapshot series to complete.

Press Start to begin the automated snapshot series according to the parameters you've set.

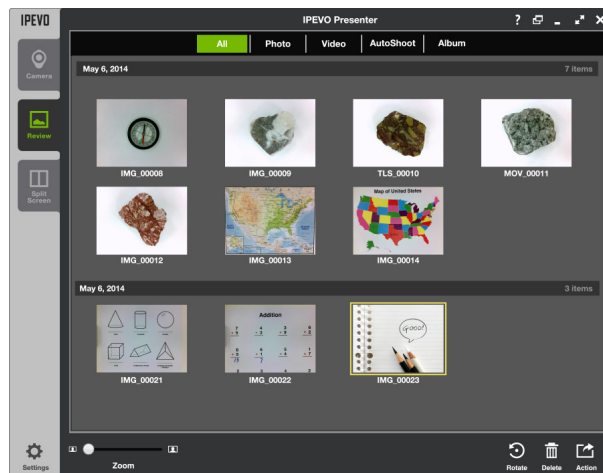
## PHOTO ALBUMS

In Review mode, press Album on the top menu bar to access your photo albums. Albums are listed by date.

To rename an album, double-click on the current name to bring up an editable text field. Or, right-click on the album and select Rename.

Albums can be exported as PDF files using the Share function in the bottom-right corner.

To add photos to an album, select your photo(s) and then right-click. Choose "Add to Album." You may either add your selected photos to an existing album, or add them to a new album. The default name for a new album is "unnamed." Change the album's name as described above.



## RECORDING VIDEOS

In addition to snapshots, Ziggi-HD Plus can also capture video. To do so, click on the red video camera icon at the bottom of the Presenter window in Camera mode.

After a couple seconds of preparation, the video will appear. A counter will appear just above the Snapshot and Record icons, letting you know the running duration of the video.

During videos, the Record icon will change into a Stop icon. Hit this icon to stop video recording. The resulting video will be automatically saved to your hard drive.

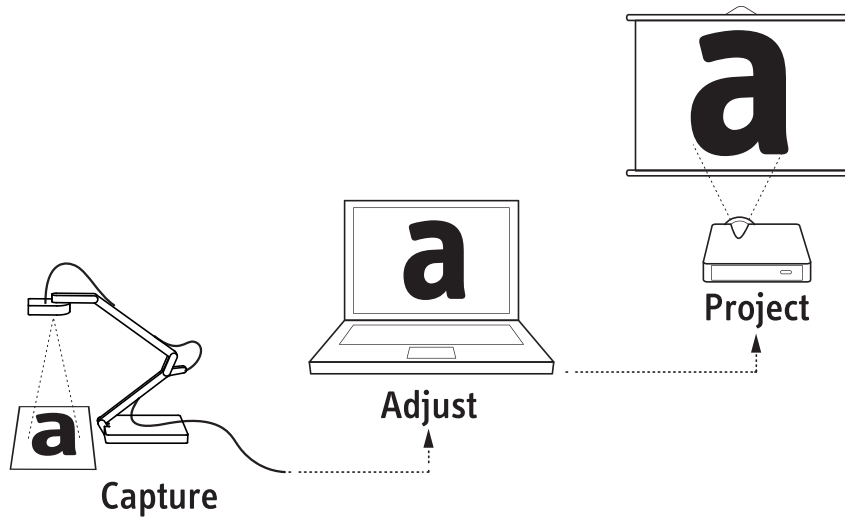
To review videos, enter Review mode. See Page 12.



## FULL SCREEN MODE

Ziggi-HD Plus's image quality and high resolution are perfect for large-screen projections in the classroom or conference room. In general, you'll need Ziggi-HD Plus, your PC, Mac or Chromebook, and a separate projector device (not included, sold separately).

In most cases, Full Screen mode is preferred for projection. To enter Full Screen mode, click on the two arrows icon in the upper-right of the Presenter window. Full Screen mode will give you the same functions available in Camera mode. To exit Full Screen mode, press the two arrows icon once more.



## DISPLAY MODE

To remove the top menus and present a cleaner image, click on Display Mode in the lower right-hand corner. Click Display Mode again to make the menus reappear.



## MIRRORING YOUR DESKTOP

You'll need to mirror the content on your desktop (that is, the full screen of Ziggi-HD Plus's video capture) and redirect it to your projector device. Please refer to your projector documentation for information specific to your projector.

The process of mirroring depends upon your operating system. Here are general guidelines for how to accomplish desktop mirroring in each operating system:

### Mac OS

1. Open "System Preferences."
2. Click "Display." Set both displays to the same resolution.
3. Click the "Arrangement" tab to click mirroring mode on or off.
4. On MacBooks and some other Macs, mirroring mode can be toggled simply with the F7 key.

### Windows 7

1. Windows 7 will pop up a display dialog box when you plug in the projector, with the title "Change the appearance of your displays."
2. The second set of options from the bottom is called "Multiple displays." Select "Duplicate these displays" to make the projector show your desktop.

### Windows 8

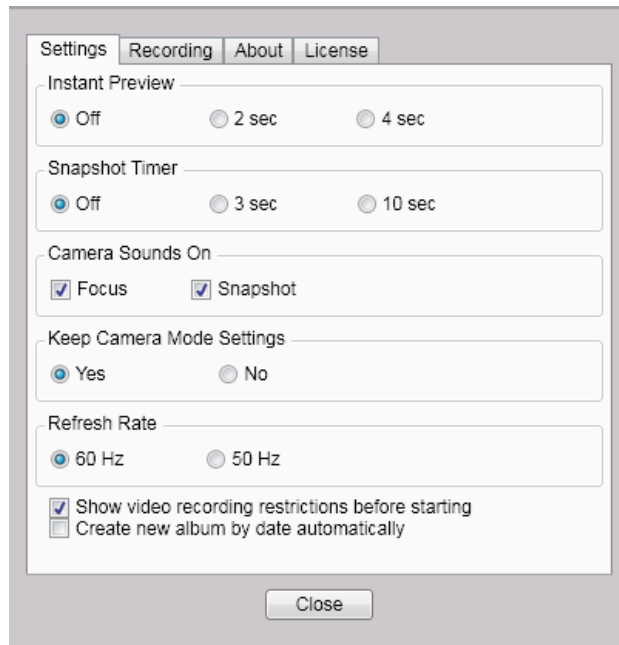
1. From the Start screen, click the Desktop tile.
2. Hover your mouse in the bottom-right corner of the screen, then click Devices in the resulting menu.
3. In the Devices window, select Project, then click Duplicate from the available options.
4. You might be prompted to select the device to duplicate/mirror. Do so.

*Note: Many classrooms and conference rooms have dedicated consoles for facilitating projection. Please refer to your IT department for specific instructions.*

There are a number of advanced settings available to you to further customize the Ziggi-HD Plus experience.

## WINDOWS

Click on the gear icon in the lower left-hand corner to enter Settings.



### Settings Tab

- **Instant Preview** – Preview the snapshot you've just taken before returning to the live view. Default is Off (no preview). Choose between a two-second preview and four-second preview.
- **Snapshot Timer** – Once you press the snapshot button, tell the camera to wait either 3 seconds or 10 seconds before taking the snapshot. Default is Off (no delay between button press and captured snapshot).
- **Sound Effect On** – By default, there are brief sound effects when focusing and when taking a snapshot. Uncheck these options to silence these effects.
- **Keep Camera Mode Settings** – By default, settings you change will stay that way when you launch Presenter in the future. Select No to return to original settings each time you launch Presenter.
- **Refresh rate** - Choose between 60Hz and 50Hz depending on your computer monitor's refresh rate.
- **Show video recording restrictions before recording** – When checked, Presenter will pop up a window when you start recording with the following text: "Please note that the highest resolution available in recording mode is 1280 x 720. The Zoom, Mirror, and Rotate functions are not supported in recording mode."
- **Create new album by date automatically** – When checked, any snapshots you take will automatically be placed within an album according to the date when the snapshot was taken. Uncheck to prevent the automatic creation of albums.

# ADVANCED SETTINGS (CONT'D)

## Recording Tab

- **Select Audio Device** – Select your preferred audio device from the pulldown menu for use in conjunction with your doc cam.

## About Tab

This tab lists the version of Presenter you are using. Check [support.ipevo.com](http://support.ipevo.com) to ensure you have the latest version of Presenter.

Press Confirm to apply any changes to Settings you have made.

## MAC

Click on the gear icon on the left-hand side (below the mode tabs) to enter Settings.

## General Tab

- **Sound Effect On** – By default, there are brief sound effects when focusing and when taking a snapshot. Uncheck these options to silence these effects.
- **Refresh Rate** – Choose between 60Hz and 50Hz depending on your computer monitor's refresh rate.
- **Keep Camera Mode Settings** – By default, settings you change will stay that way when you launch Presenter in the future. Select No to return to original settings each time you launch Presenter.
- **Create new album by date automatically** – When checked, any snapshots you take will automatically be placed within an album according to the date when the snapshot was taken. Uncheck to prevent the automatic creation of albums.
- **Show high resolution live viewing tip** – When checked, Presenter will pop up a window when you choose a higher resolution with the following text: "A higher resolution will increase demands on your CPU. If you are experiencing laggy or frozen video streaming, please reduce the resolution."
- **Show high resolution recording tip before recording** – When checked, Presenter will pop up a window when you start recording with the following text: "Using a higher resolution to record videos will increase demands on your CPU. If you are experiencing laggy or frozen video streaming, or the audio and video are out of sync, please reduce the resolution."



# ADVANCED SETTINGS (CONT'D)

## Snapshot Tab

- **Instant Preview** – Preview the snapshot you've just taken before returning to the live view. Default is Off (no preview). Choose between a two-second preview and four-second preview.
- **Snapshot Timer** – Once you press the snapshot button, tell the camera to wait either 3 seconds or 10 seconds before taking the snapshot. Default is Off (no delay between button press and captured snapshot).



## Recording Tab

- **Resolution** – Choose Auto Detect to have Presenter determine the best resolution to record your video. Or, you may choose your own custom resolution.
- **Audio Device** – Select your preferred audio device from the pulldown menu for use in conjunction with your doc cam.



Press Close to apply any changes to Settings you have made.

## IMAGE ADJUSTMENT TAB

The image adjustment tab provides a number of customizations relating to video image quality.

- **Contrast (0 to 31)** – controls difference in color and brightness between different parts of the image
- **Gamma (0 to 127)** – Gamma correction, affects gray levels and how the image is reproduced on the screen
- **Saturation (0 to 31)** – controls the color saturation. Setting this value to 0 will result in a black and white image, while a value of 31 will result in very saturated, rich colors
- **Hue (-180 to 180)** – affects reproduction of color information
- **Sharpness (0 to 15)** – controls perceived sharpness/blurriness

The Default button changes the above customizations to their default values.



*Note: Image qualities of snapshots cannot be altered (at least not in the Presenter software). You must change these settings prior to taking snapshots.*

### USING ZIGGI-HD PLUS AS WEB/CONFERENCING CAMERA

While Ziggi-HD Plus is designed as a document camera, it can also be used as a web camera/conferencing camera with Skype and many other applications. Ziggi-HD Plus's top section can be rotated up, such that the camera is pointing horizontally rather than down.



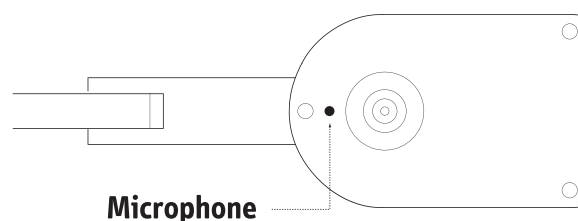
You may need to exit the Presenter software prior to using Ziggi-HD Plus in other applications. Other applications have varying methods for how they detect and utilize cameras and microphones. Please refer to the Help documentation of these applications for specific instructions.

When using Ziggi-HD Plus for video conferencing, ensure the Autofocus switch is set to Continuous mode. This ensures constant sharp focus.

### BUILT-IN MICROPHONE

Ziggi-HD Plus features a built-in microphone located on the underside of the camera body next to the lens. This microphone can capture your voice for use with Skype and other programs. The mic is always active when Ziggi-HD Plus is on.

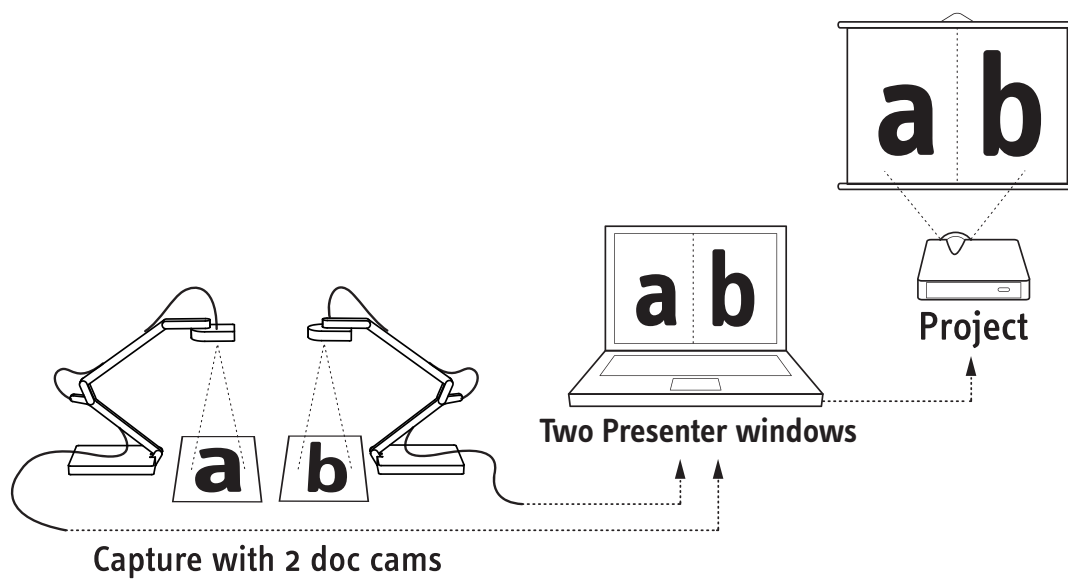
The best effective range for the microphone is 1 meter or 3.28 feet.



*Note: We cannot guarantee that all the functions of Ziggi-HD Plus, including exposure, focus, and the built-in microphone, will work predictably in other applications, and IPEVO cannot offer troubleshooting for applications outside the Presenter software.*

## MULTIPLE DOC CAM SUPPORT

Presenter can now support multiple document cameras for both Mac and Windows PC. You can generate a separate Presenter window for each of the document cameras connected to your computer. To do so, press Ctrl+N on PC or Command+N on Mac. A new Presenter window will be created. Use the "Select Video Device" function in Camera mode to select the appropriate doc cam for each of your Presenter windows. You can also assign the same document camera to two separate Presenter windows. Simply assign the same doc cam for each window's "Select Video Device" function. For one example of how to use this function, you can have one window zoomed in to show details, and the other unzoomed to show the entire object.



\* Please note: High computer performance is required when two doc cams are connected at high resolutions. If the image freezes or lags in this setup, consider lowering the resolution.

## SPLITSCREEN MODE

The newest version of Presenter supports splitscreen mode for both Mac and Windows PC. Two doc cams can be connected and presented in splitscreen, or a single doc cam's video feed can be presented in splitscreen. Functions like zoom, resolution change, rotate and more can be changed independently in each splitscreen window.

*\*Please note: Do not use a USB hub for this purpose. You'll need to plug the two document cameras into the USB ports on your computer.*

To enter Splitscreen mode, click on the Split Screen tab on the left.

- **Select Camera 1** – Select the camera for the first splitscreen pane.
- **Select Camera 2** – Select the camera for the second splitscreen pane. It can be the same or different than Camera 1.
- **Adjust Camera** – Within the Select Video Device pop-up, hit Adjust Camera to tweak the image coming from the selected camera.
- **Horizontal/Vertical** – Splitscreen can be presented either horizontally or vertically depending on your selection.

Each splitscreen pane can be further adjusted by hitting the ">" icon in the upper left to bring up more options. Hit "<" again to collapse the options.

**A – Zoom** Digitally zoom the image.

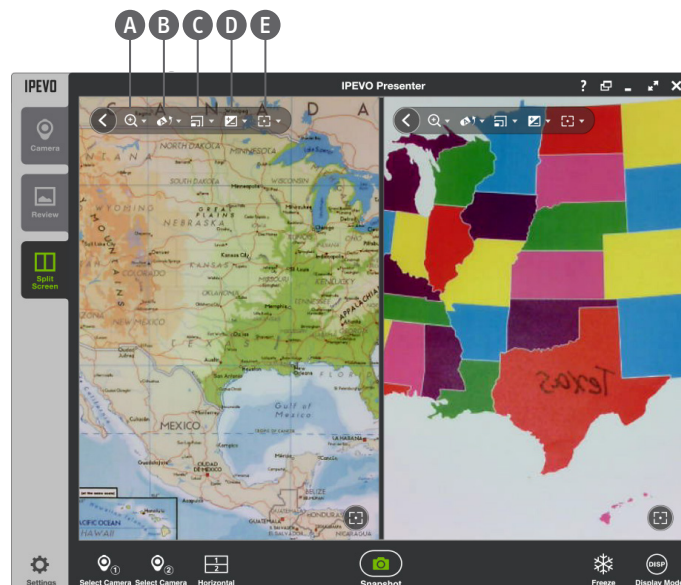
**B – Rotate** Rotate the image.

**C – Resolution** Change the resolution of the image.

**D – Exposure** Brighten or darken the image.

**E – Manual Focus** Drag the Focus Slider to the desired focus, which will lock into place. To return to Autofocus, uncheck the "AF-Lock" box.

Splitscreen mode



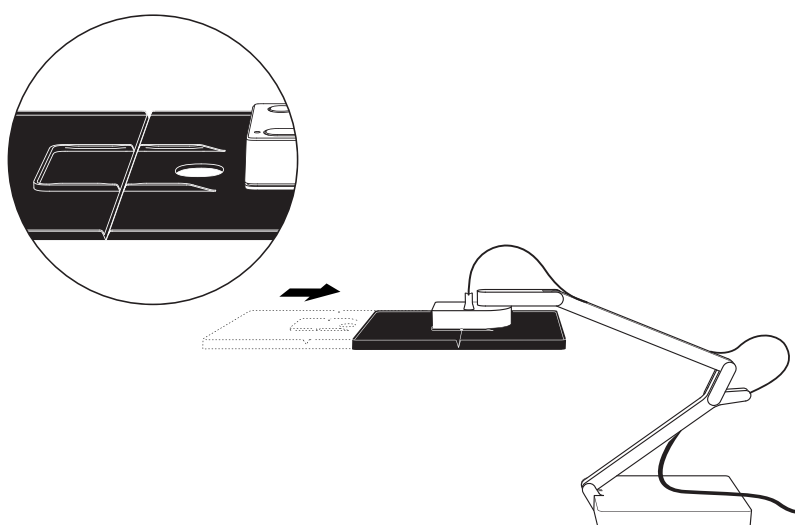
*\* Please note: High computer performance is required when two doc cams are connected at high resolutions. If the image freezes or lags in this setup, consider lowering the resolution.*

## USING THE ANTI-GLARE SHIELD

You may experience undesirable glare in your image from reflected light. Possible sources of reflected light include overhead lights or a desk lamp directed at the subject. To reduce or eliminate this glare, Ziggi-HD Plus comes with an Anti-Glare Shield.

## MOUNTING THE ANTI-GLARE SHIELD

To mount the Anti-Glare Shield, align the grooves on the underside of the shield with the sides of the camera head. Slide the grooves into place, ensuring they lock into the sides of the head. When fully mounted, the hole in the Shield should align with the camera lens, so that the camera's view is not partially blocked.



## CLOSING AND EXITING

To close the Presenter software:

- **Windows** – Click the Close button at the top right-hand corner of the window, or press Alt + F4 while the software is active.
- **Macintosh** – Click the Close button at the top left-hand corner of the window, or press Command + Q.

## KEYBOARD SHORTCUTS

Here is a list of keyboard shortcuts which may facilitate your use of Ziggi-HD Plus:

Function	Windows & Mac
Zoom in and Zoom out	- =
Zoom reset	0
Mirror (Horizontal) and Mirror (Vertical)	h v
Rotate	left right
Rotation reset	r
Exposure change	up down
Exposure reset	e
Automatic exposure	a
Manual focus	alt+up alt+down
Auto focus lock	m
Focus	f
Freeze	p
Toggle display mode	d
Take a snapshot	space
Full Screen/Windowed	alt+enter
Exit Full Screen	ecs

## TROUBLESHOOTING AND FAQ

### **Ziggi-HD Plus will not turn on.**

- Ensure Ziggi-HD Plus is plugged in to your computer with the USB cord.
- Ensure the Presenter software is installed and running.
- Unplug the camera, exit the software, restart the software, and replug in the camera.

### **There is a setting change I don't want that I can't get rid of.**

- Access the Advanced Settings, and click No on “Keep Camera Mode Settings.” Then, exit and restart the application.

### **The image is too dark/too bright.**

- Adjust the exposure. *See Page 19 for techniques.*

### **The image has inaccurate colors.**

- Adjust the white balance. *See Page 23.*

### **The image is out of focus or pixelated.**

- Press the focus button to bring the subject into sharp focus. *See Page 20 for focus techniques.*
- Increase resolution for an image with more picture information. *See Page 22.*

### **The brightness of the image constantly seems to fluctuate.**

- Automatic exposure might be on, in which Ziggi-HD Plus constantly adjusts for optimum brightness level. Disable Automatic exposure. *See Page 19.*

### **Anything that moves on screen is very blurry and choppy.**

- Decrease resolution so that frame rate increases for smoother movement. *See Page 22.*

### **Does Ziggi-HD Plus capture audio?**

- Yes, Ziggi-HD Plus has a built-in microphone. The microphone is on when Ziggi-HD Plus is on.

### **All my snapshots come out blurry.**

- Enable Continuous mode to ensure the image is in sharp focus.
- Hit the Focus button to achieve sharp focus.
- Turn the Timer on so that camera shake does not contribute to a blurry image. *See Page 24.*

### **The focus beeps are annoying!**

- Disable sound effects in Advanced Settings under “Sound Effect on.” *See Page 30.*

## SAFETY INFORMATION

For your safety and for the best performance of your Ziggi-HD Plus USB Document Camera:

- Keep Ziggi-HD Plus from coming into contact with heat sources such as radiators, stoves, and hot laptops.
- Do not immerse Ziggi-HD Plus in liquids, and protect it from moisture.
- Supervise children using Ziggi-HD Plus.

This device complies with Part 15 of the FCC Rules. Operation is subject to the following two conditions: (1) this device may not cause harmful interference, and (2) this device must accept any interference received, including interference that may cause undesired operation.

## ACKNOWLEDGMENTS

- “Windows” and “Skype” are registered trademarks of Microsoft Corporation, registered in the US and other countries.
- “Mac” and “Macintosh” are registered trademarks of Apple Computer, Inc., registered in the US and other countries.

© 2015 IPEVO Inc. All rights reserved. IPEVO, IPEVO Presenter, Ziggi-HD Plus, the IPEVO logo, and other IPEVO marks are owned by IPEVO Inc. and may be registered. All other trademarks are the property of their respective owners.  
All screen images are either simulated or properties of IPEVO Inc.