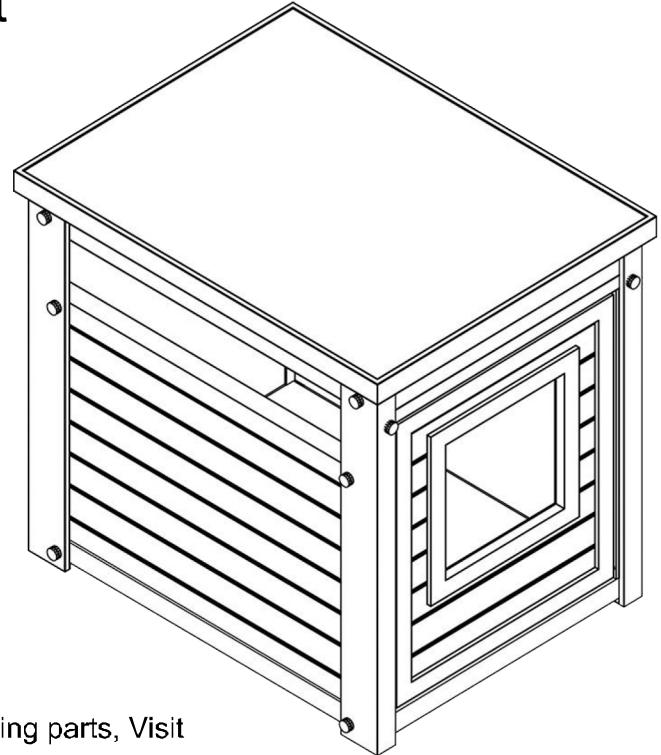




Habitat 'n Home Pet Furniture

## Litter Loo™ Litter Box Cabinet

( ITEM# EHLB801 )



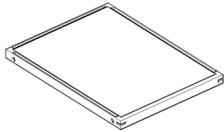
Congratulations on your purchase!

**Before you Start** – check for damaged or missing parts, Visit

[www.newagepet.com](http://www.newagepet.com), Contact us, to order replacement parts.

# Habitat 'n Home Litter Loo

## Parts List



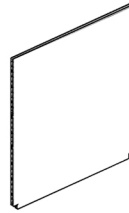
Part 1



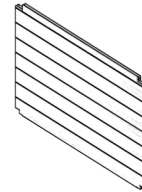
Part 2



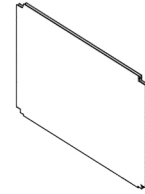
Part 3



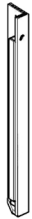
Part 4



Part 5



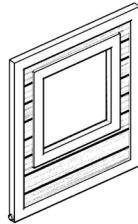
Part 6



Part 7



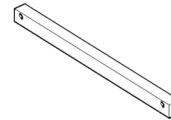
Part 8



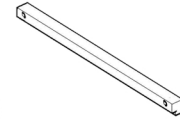
Part 9



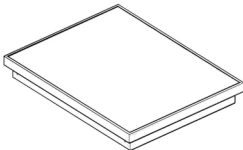
Part 10



Part 11



Part 12



Part 13



Long Screw "A"



Short Screw "B"

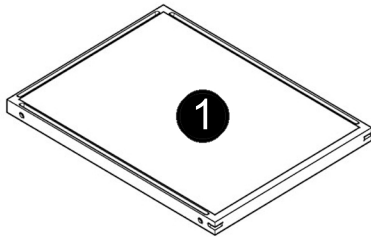


Anti-scratch Pad

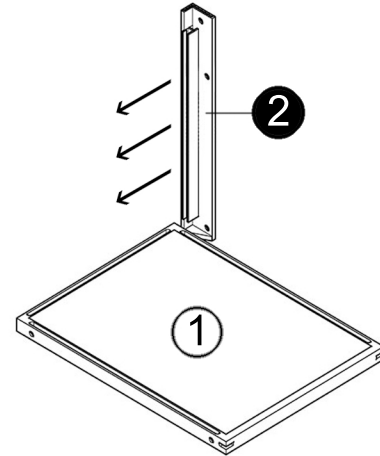


Hinge pin

Step 1 .

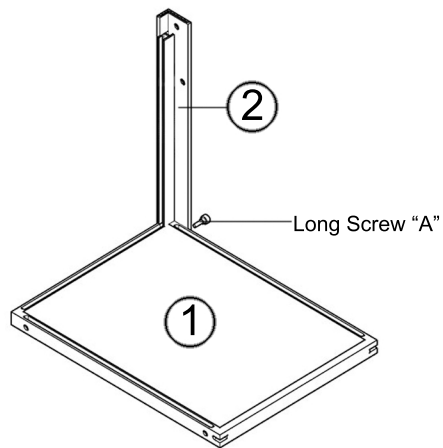


Step 2 .



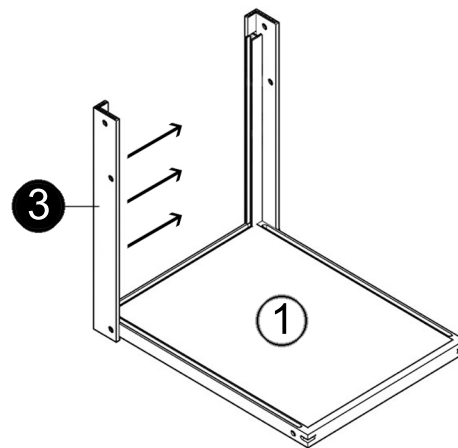
### Step 3 .

---



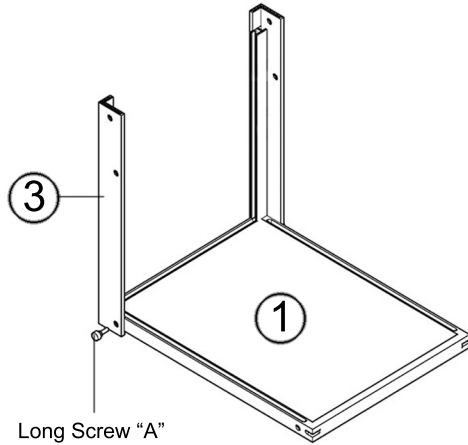
### Step 4 .

---



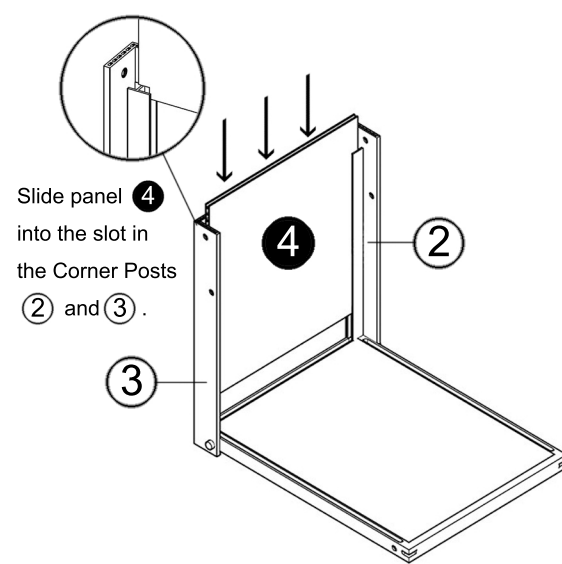
## Step 5 .

---



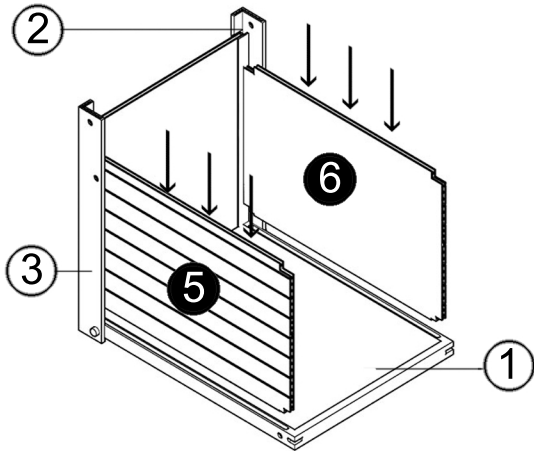
## Step 6 .

---



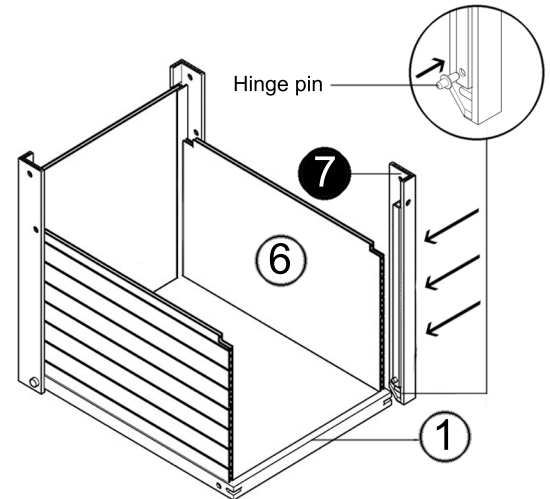
## Step 7 .

---



## Step 8 .

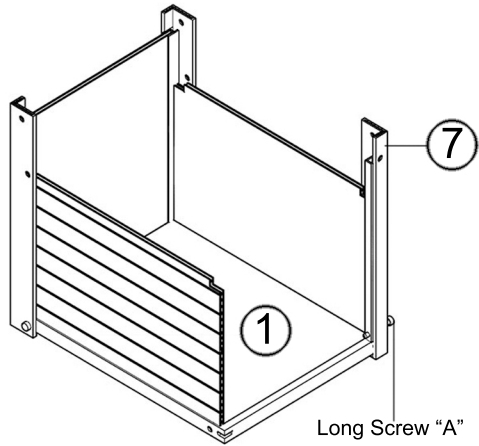
---



Insert the Hinge Pin into the hole near the bottom of the corner post (7) . Then install (7) to the structure .

## Step 9 .

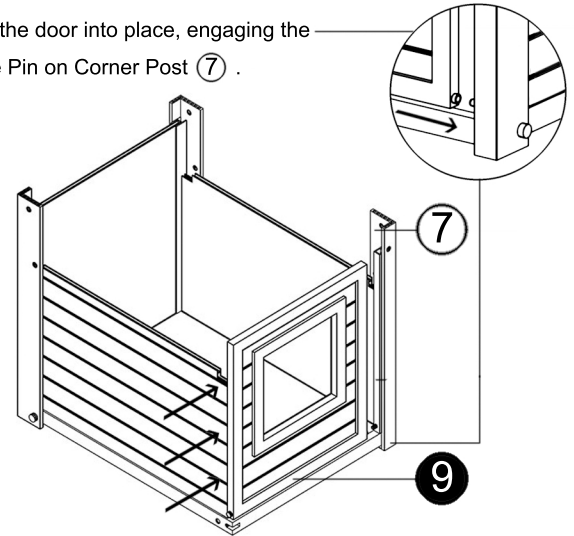
---



## Step 10 .

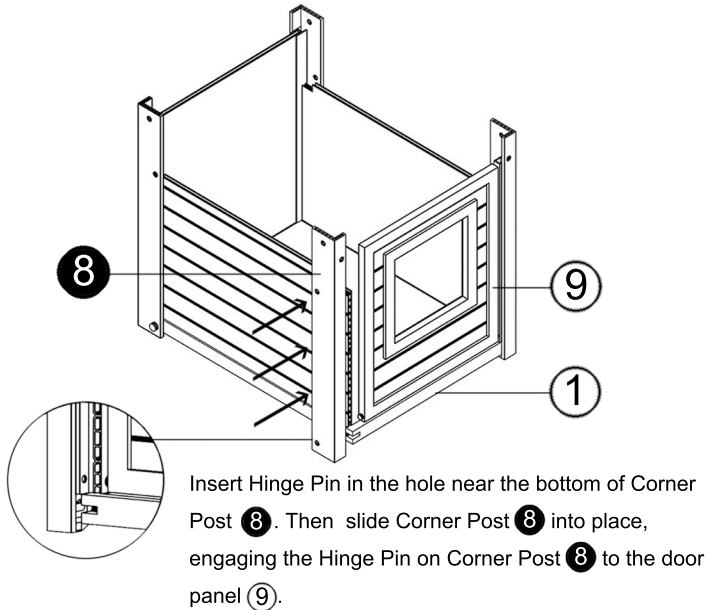
---

Slide the door into place, engaging the Hinge Pin on Corner Post 7 .



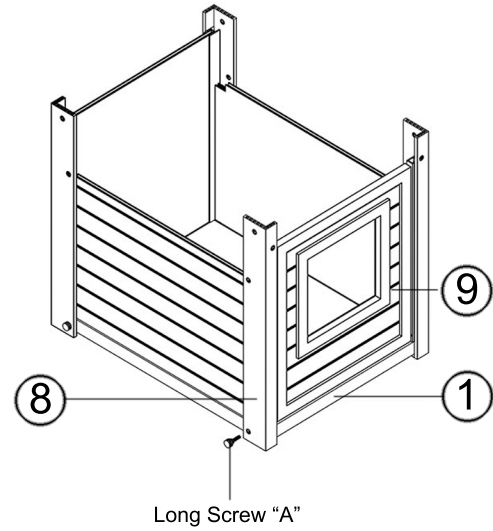
## Step 11 .

---



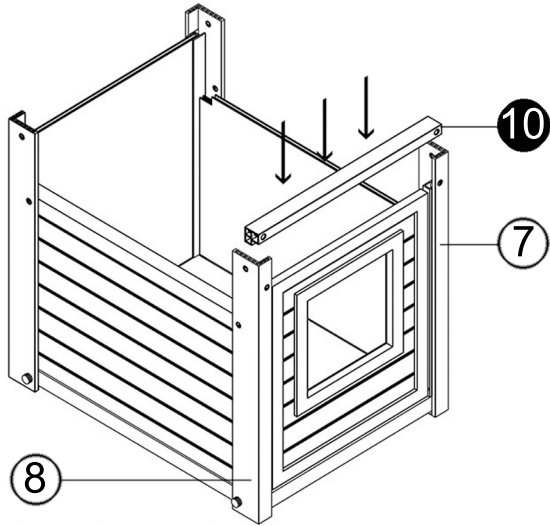
## Step 12 .

---



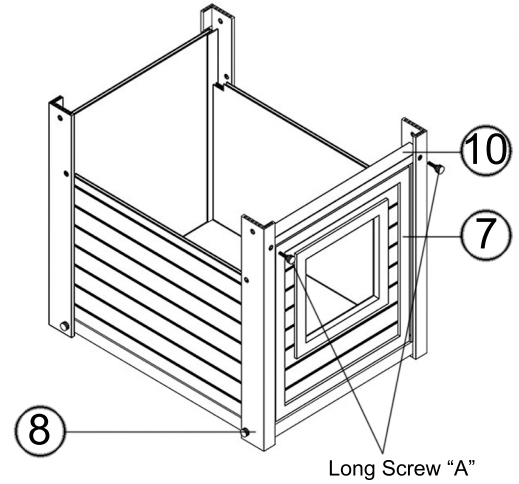
## Step 13 .

---



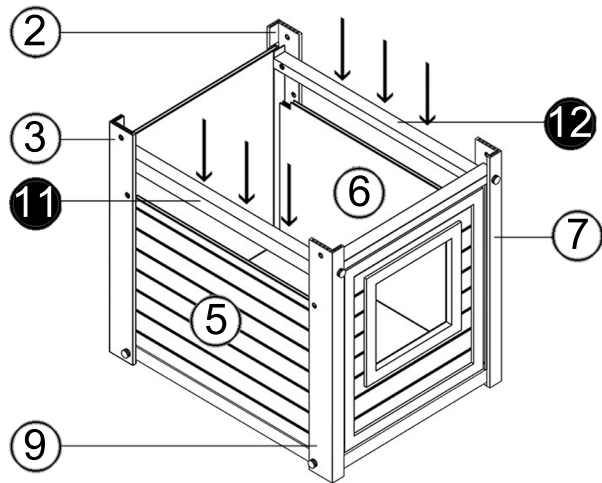
## Step 14 .

---



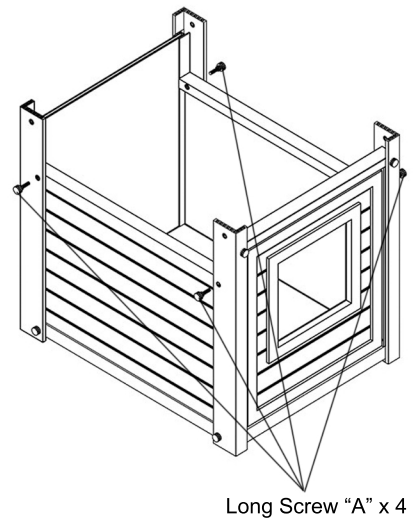
## Step 15 .

---



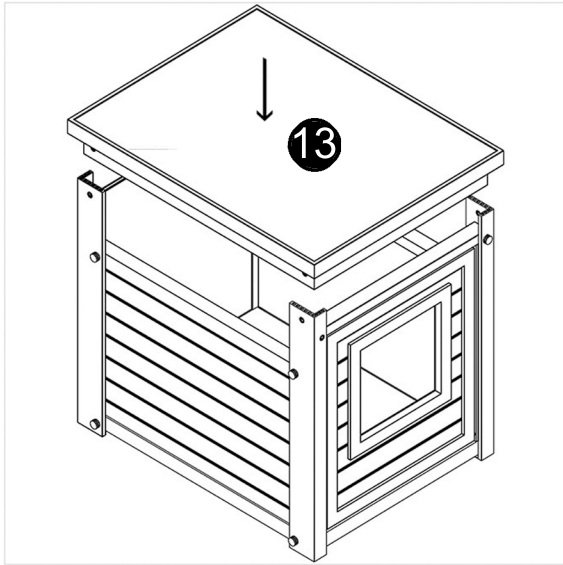
## Step 16 .

---



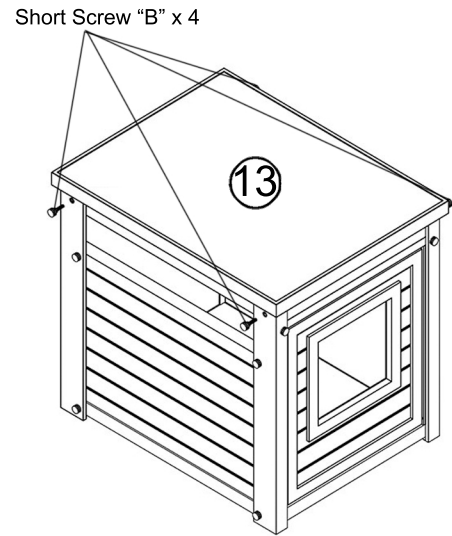
## Step 17 .

---

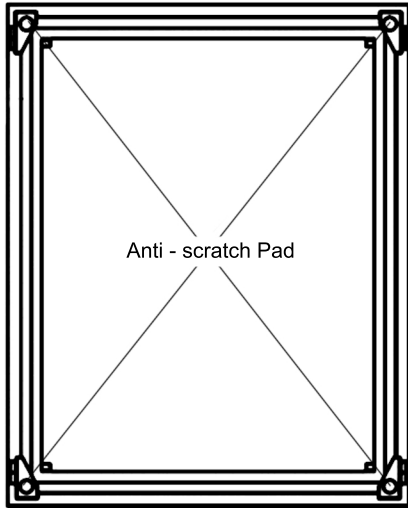


## Step 18 .

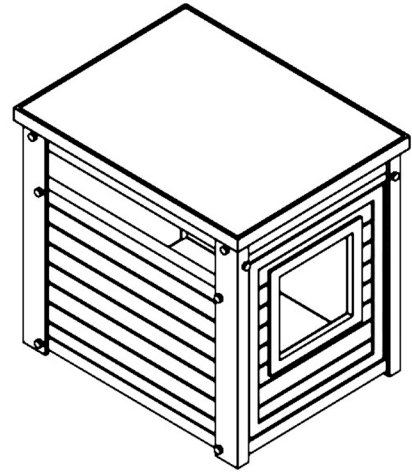
---



Step 19 .



Complete .



## Keep Clean for a Healthy Pet

It is important that your Habitat 'n Home Litter Loo be kept clean for the health of your pet. Here's where the use of ecoFLEX as the main component is a big advantage combined with our simple, easy no tool assembly.

Since little sticks to ecoFLEX, in most cases, all you will need to do is wipe up any misses or to do a general cleaning. If you want a more thorough cleaning, you can use a little dish washing detergent. Wipe dry and you're done.

The top is easy to remove for complete access to the interior. Just remove the 4 screws installed in step 17 and the top can be removed. When your cleaning has been completed, just replace the top and reinsert the screws.

Regular cleaning will add to your - and your pet's - enjoyment of the Litter Loo.

