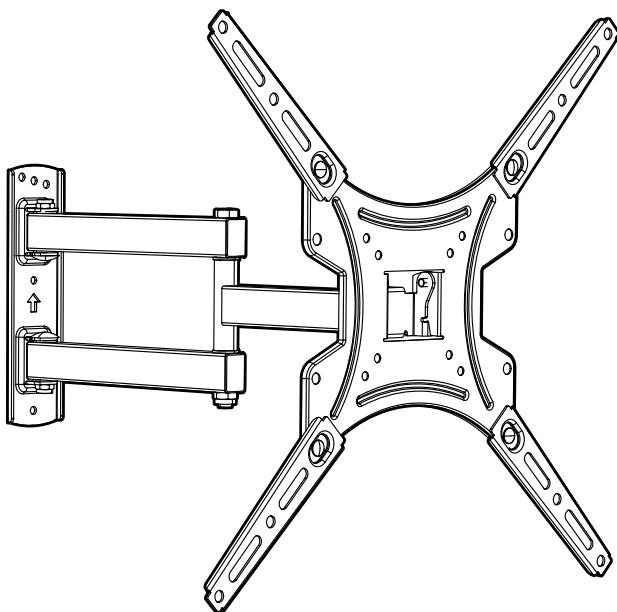


INSTRUCTION MANUAL

Rev00

PIMF2

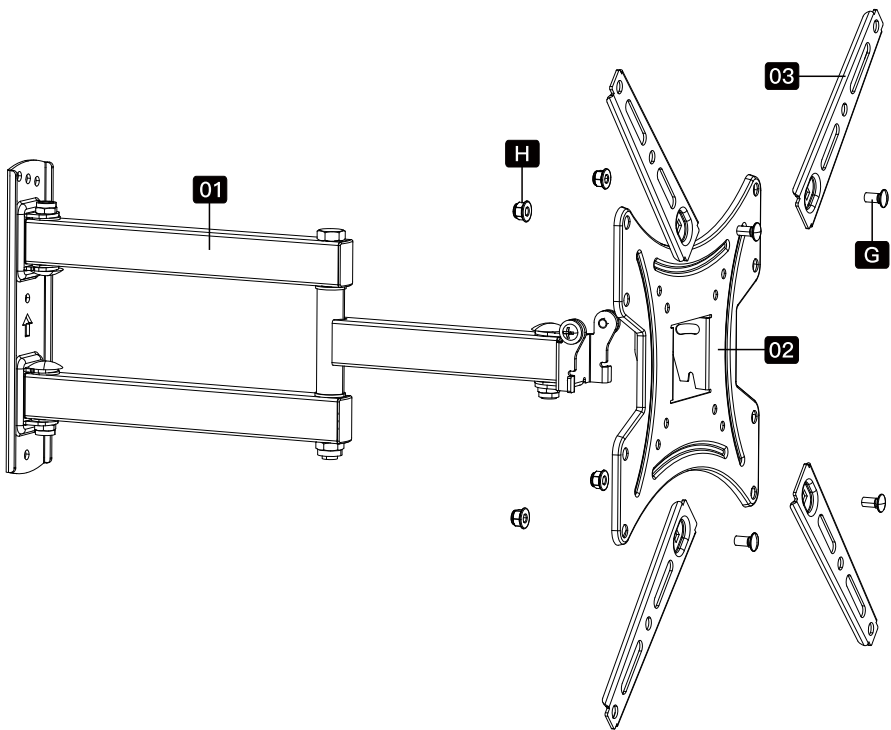


Full-Motion TV Wall Mount

1-800-556-9829 (US/CA)
44-808-196-3885 (UK)

✉ support@pipishell.net

🌐 www.pipishellav.com



IMPORTANT SAFETY INFORMATION

NOTE

- Please carefully read all instructions before attempting installation. If you do not understand the instructions or if you have any questions or concerns, please call technical support or email customer service.
- Before starting assembly, verify that all parts are included and undamaged. Do not use damaged or defective parts. If you require replacement parts, please call technical support or email customer service.
- Not all hardware included in this package will be used.

CAUTION

- Avoid the risk of personal injury or property damage!
- Do not use this product for any purpose that is NOT explicitly specified in this manual. Do not exceed the maximum weight capacity. We are not liable for damage or injury caused by incorrect assembly, improper mounting or inappropriate use.

WARNING

- This product is designed for installation on wood stud, solid concrete and brick walls. DO NOT install on drywall alone.
- The wall must be capable of supporting four times the weight of the TV and mount combined.
- This product contains small parts that may pose a choking hazard.

Note for Wood Stud Installation (Page 12)

- Avoid the risk of personal injury or property damage! Tighten the lag screws only until they are pulled firmly against the wall plate (DO NOT overtighten). Do not use a drill; only use a socket wrench.
- Do not use wall anchors for this mounting option. Wall anchors are used for solid concrete and brick installation only.
- Minimum wood stud size: 1 1/2" W x 3 1/2" D (38 x 89mm)

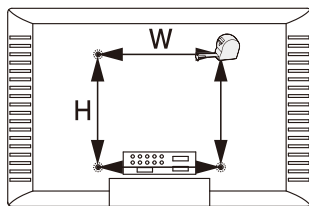
Note for Solid Concrete or Brick Wall Installation (Page 13)

- Avoid the risk of personal injury or property damage! Tighten the lag screws only until they are pulled firmly against the wall plate (DO NOT overtighten). Do not use a drill; only use a socket wrench.
- Mount the wall plate directly on the concrete surface.
- Minimum solid concrete thickness: 8" (203mm)
- Never drill into the mortar between bricks.

Before getting started, make sure this mount is compatible.

1 VESA Pattern Compatibility

- ✓ 75 x 75mm
- ✓ 100 x 100mm
- ✓ 100 x 200mm
- ✓ 200 x 100mm
- ✓ 200 x 200mm
- ✓ 200 x 300mm
- ✓ 200 x 400mm
- ✓ 300 x 200mm
- ✓ 300 x 300mm
- ✓ 400 x 200mm
- ✓ 400 x 300mm
- ✓ 400 x 400mm



Max: 400 x 400mm (15.7 x 15.7")
Min: 75 x 75mm (3 x 3")

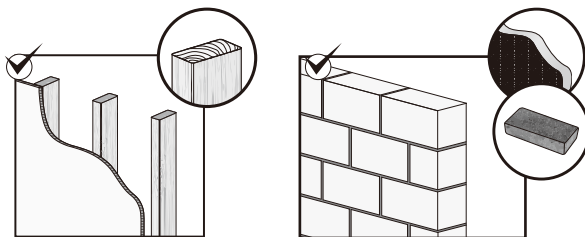
2

If the TV weighs more than 66lbs (30kg), do not use this product.



3

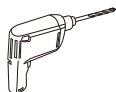
Suitable for wood stud, solid concrete and brick walls. **DO NOT** install on drywall alone.



4 Tools Needed (Not Included)



Tape Measure



Drill



Pencil



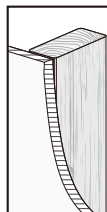
Phillips Screwdriver



7/16" (11mm) Socket Wrench



Level



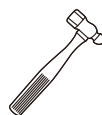
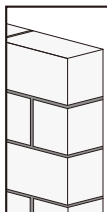
Stud Finder



Awl



5/32" (4mm) Wood Drill Bit



Hammer



3/8" (10mm) Concrete Drill Bit

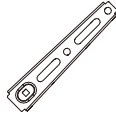
For Wood Stud Walls

For Concrete or Brick Walls

Supplied Parts and Hardwares



Faceplate
02 x 1



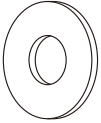
Extender Bracket
03 x 4



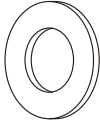
Bolt
G x 4



Nut
H x 4



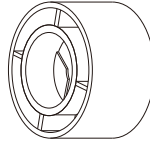
Washer
M4 / M5
[C1] x 4



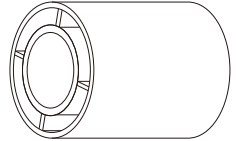
Washer
M6 / M8
[B1] x 4



Spacer
L2.5mm
[C2] x 8



Spacer
L10mm
[B2] x 4



Spacer
L22mm
[B3] x 4

M4

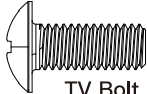


TV Bolt
M4 x 12mm
[F1] x 4

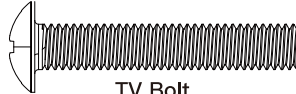


TV Bolt
M4 x 30mm
[F2] x 4

M6

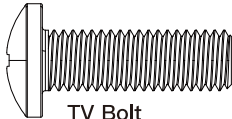


TV Bolt
M6 x 15mm
[D1] x 4

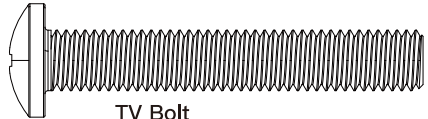


TV Bolt
M6 x 35mm
[D2] x 4

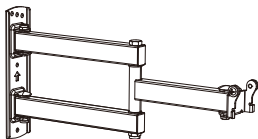
M8



TV Bolt
M8 x 25mm
[E1] x 4

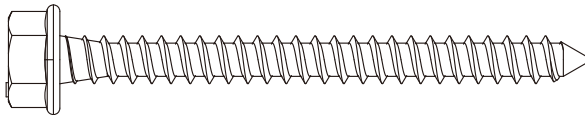


TV Bolt
M8 x 50mm
[E2] x 4



Arm Assembly / Wall Plate
01 x 1

A1 x 3
Lag Screw
ST1/4 x 2 3/4"



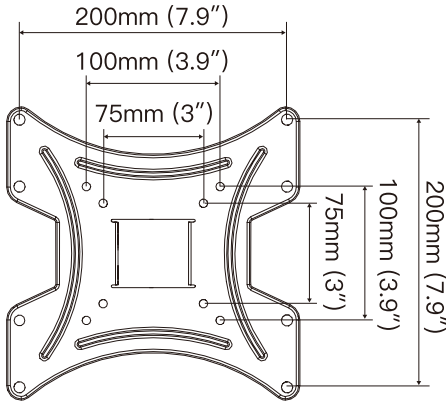
A2 x 3
Wall Anchor



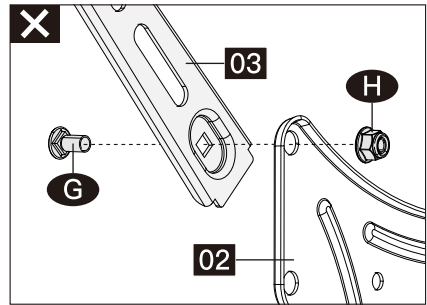
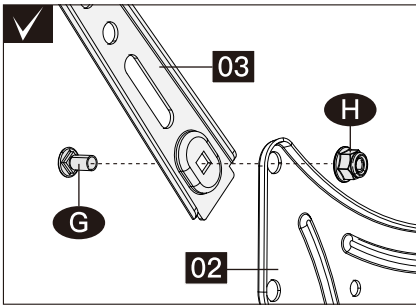
CAUTION!

This anchor is for concrete or brick walls ONLY. DO NOT use them in drywall or wood studs.

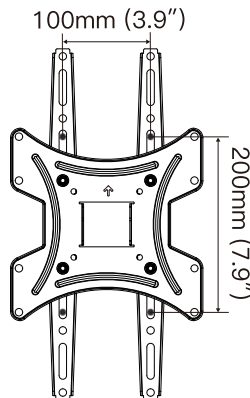
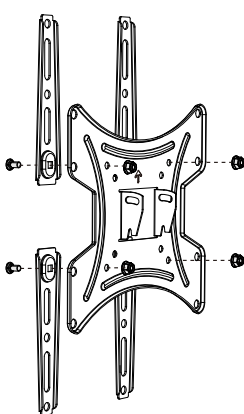
Step 1 Secure the Extender Brackets to the Faceplate (Optional)



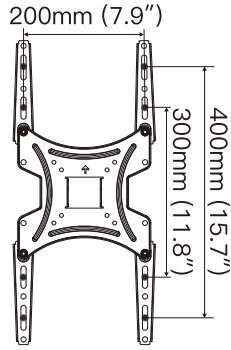
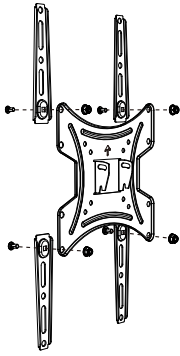
- 75 x 75mm (3 X 3")
- 100 x 100mm (3.9 X 3.9")
- 200 x 100mm (7.9 X 3.9")
- 200 x 200mm (7.9 X 7.9")



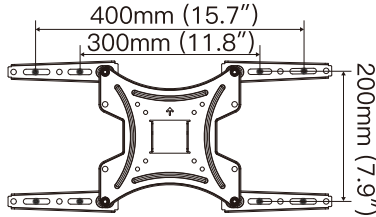
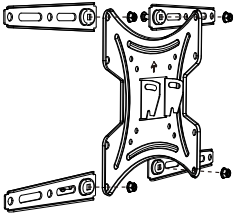
NOTE: Please DO NOT fully tighten the nuts [H] until step 2 is finished. The extender brackets should connect to the faceplate as demonstrated in the upper left.



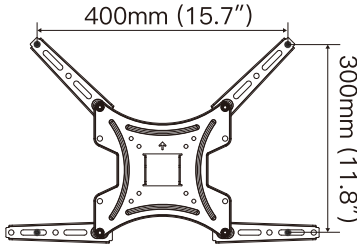
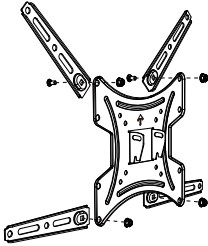
- 100 x 200mm (3.9 X 7.9")



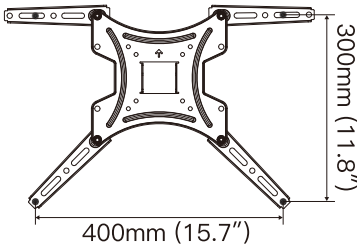
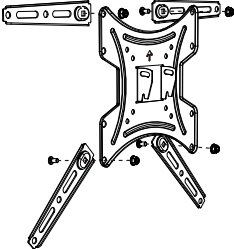
- 200 x 300mm (7.9 X 11.8")
- 200 x 400mm (7.9 X 15.7")



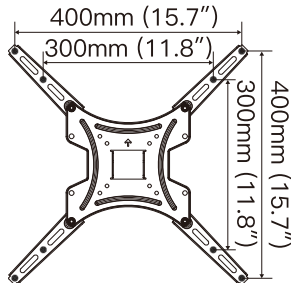
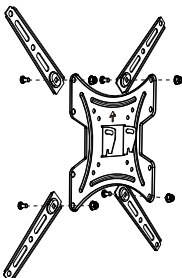
- 400 x 200mm (15.7 X 7.9")
- 300 x 200mm (11.8 X 7.9")



- 400 x 300mm (15.7 X 11.8")



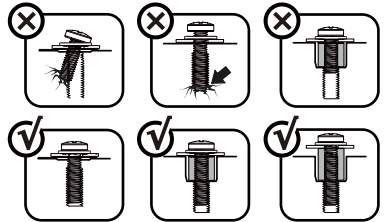
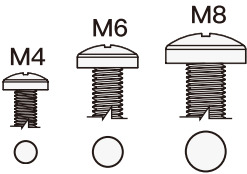
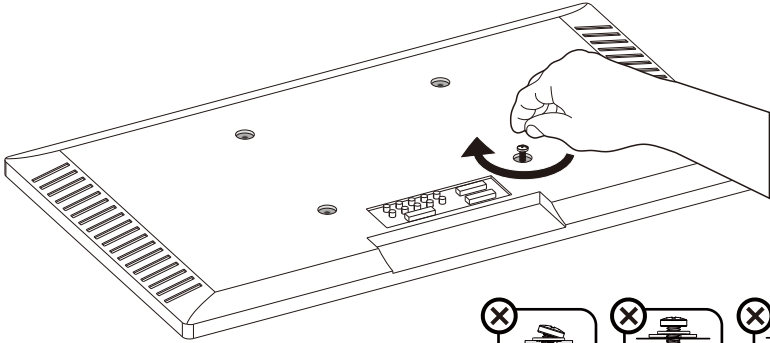
- 400 x 300mm (15.7 X 11.8")



- 300 x 300mm (11.8 X 11.8")
- 400 x 400mm (15.7 X 15.7")

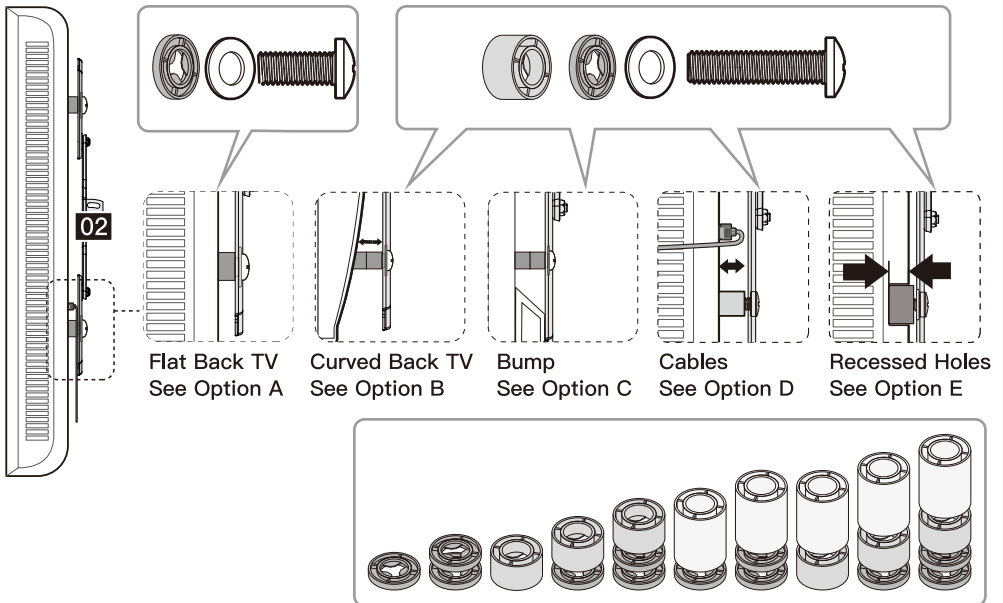
Step 2 Attach the Faceplate with Extender Brackets to the TV

2-1 Select TV Bolts

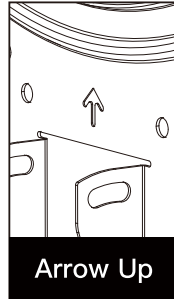
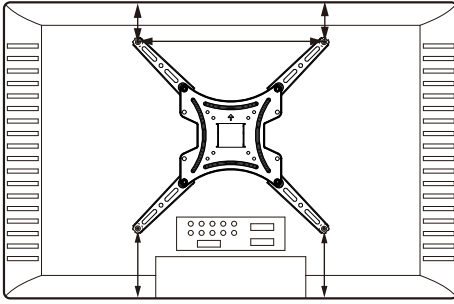


Hand thread bolts into the threaded inserts on the back of your TV to determine which bolt (M4, M6 or M8) to use. A minimum of 4-5 turns into the threading is required. Do not turn past the bottom of the hole.

2-2 Spacer and Bolt Configurations

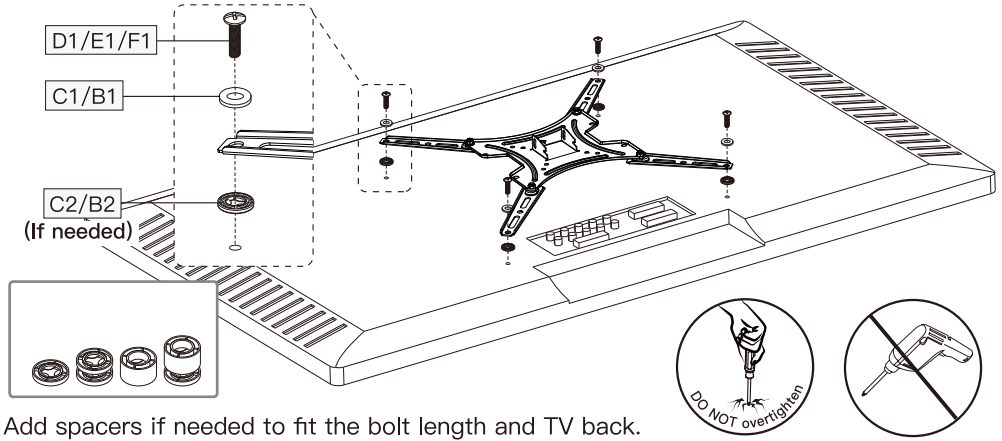


2-3 Attach the Faceplate with Extender Brackets to Your TV



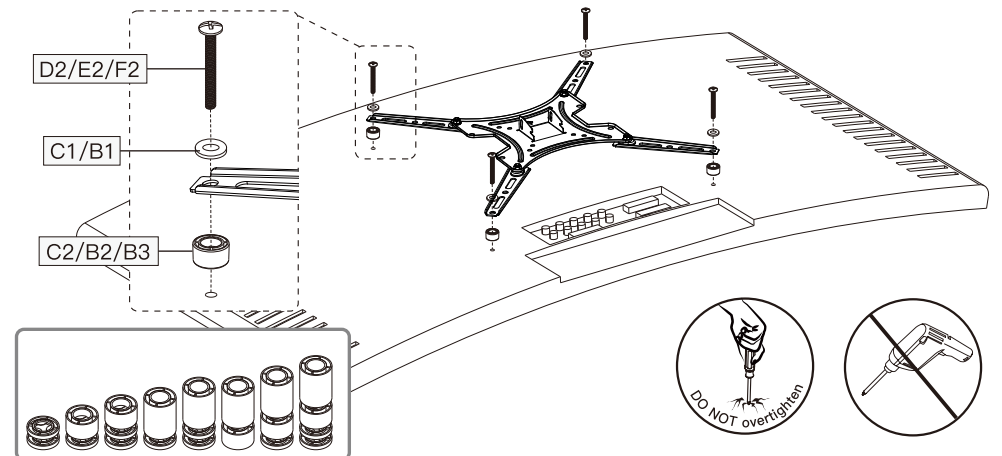
Arrow Up

Option A: For Flat Back TVs



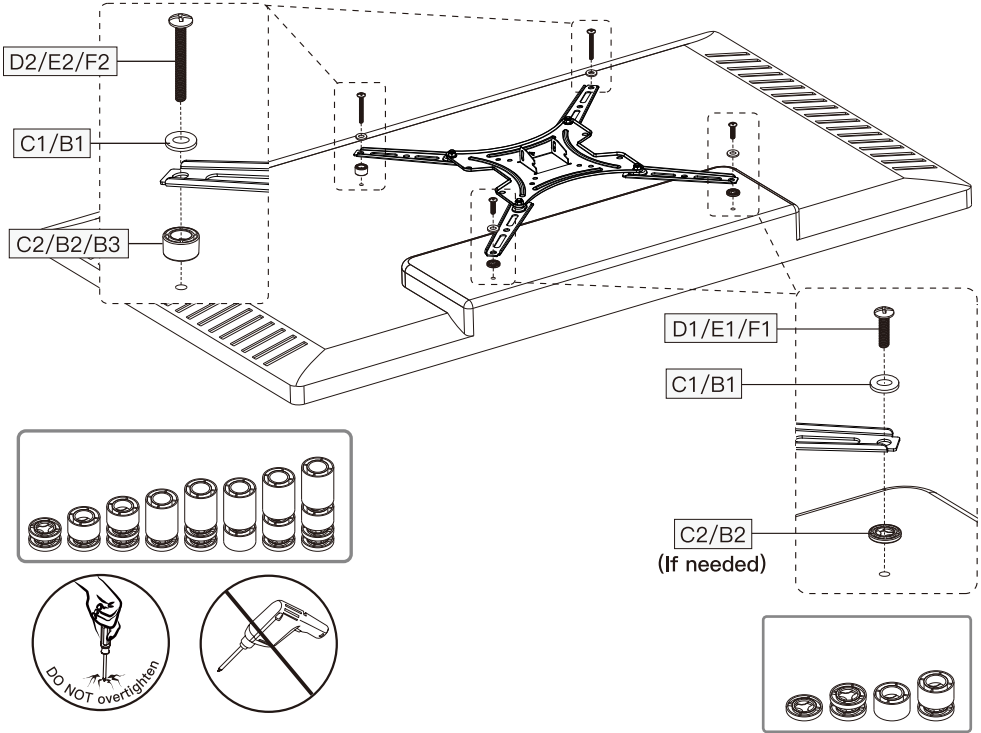
Add spacers if needed to fit the bolt length and TV back.

Option B: For Curved Back TVs



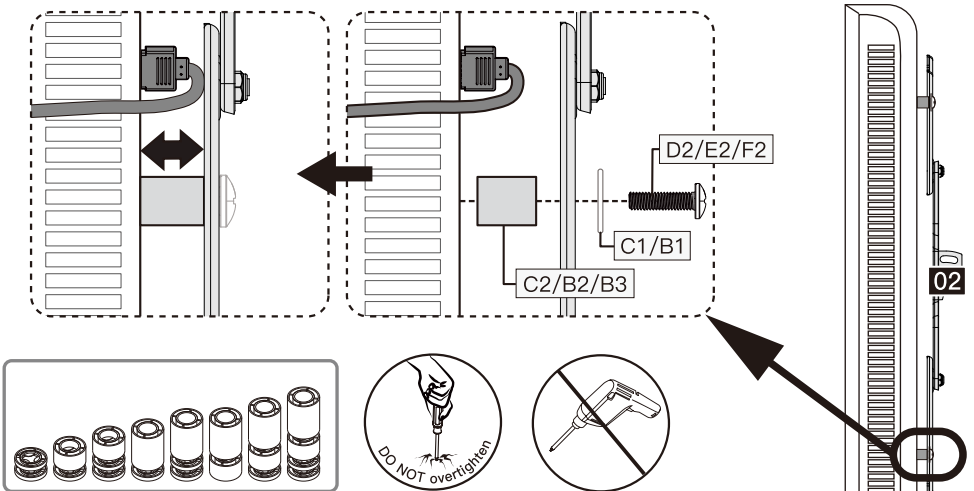
Spacers must be tall enough so that the curved back of the TV does not interfere with the mounting plate.

Option C: For TVs with a Bump



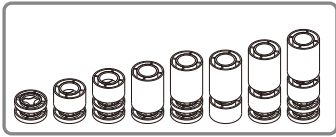
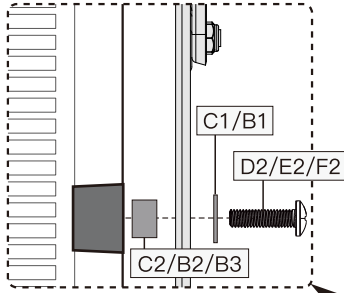
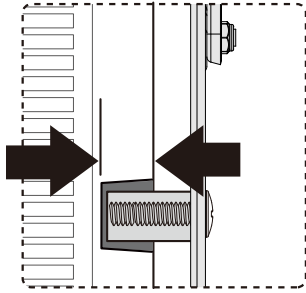
The faceplate must be flush on the bump and leveled by spacers on the gap.

Option D: For TVs with Protruding Cables

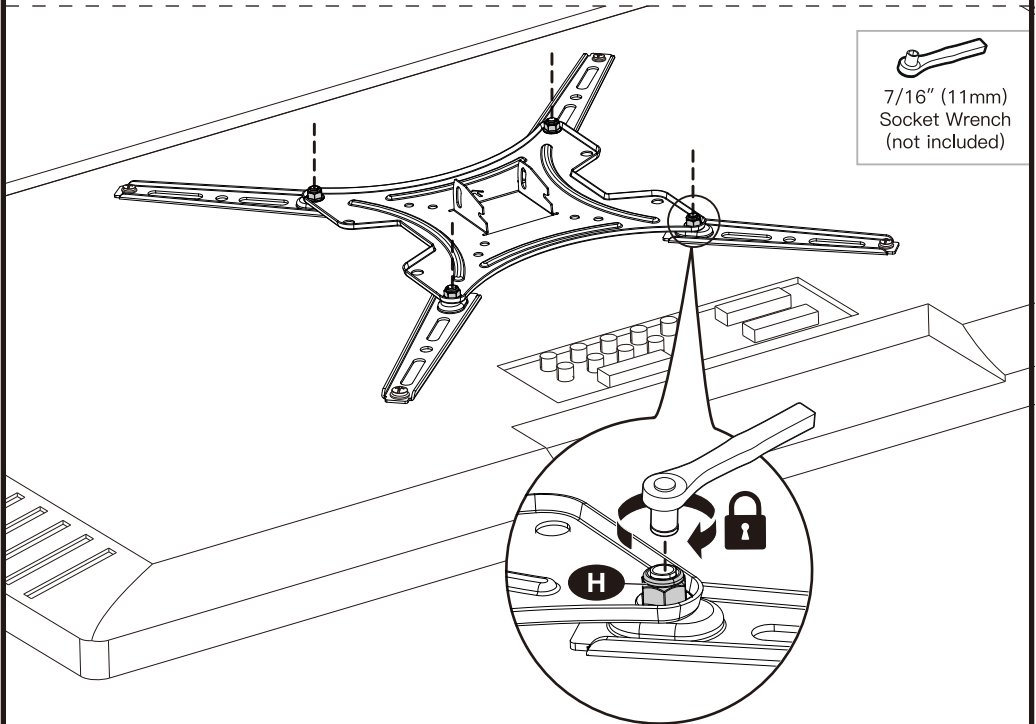
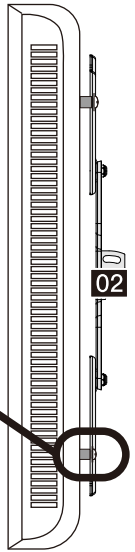


Use spacers to create extra space between the TV and faceplate.

Option E: For TVs with Recessed Holes



Spacers need to fill in the recessed holes on the back of the TV, while keeping the faceplate as close to the TV as possible.



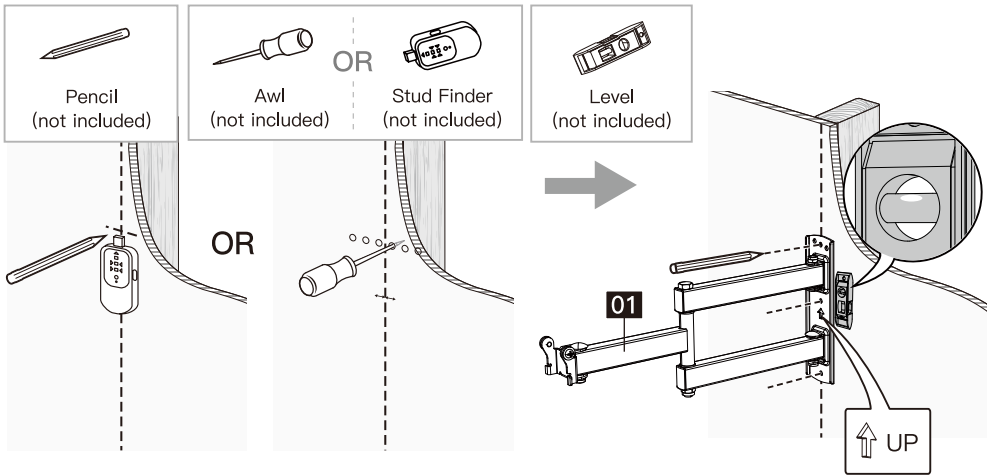
7/16" (11mm)
Socket Wrench
(not included)

When you finish securing the TV bolts into the TV, please remember to tighten the nuts [H].

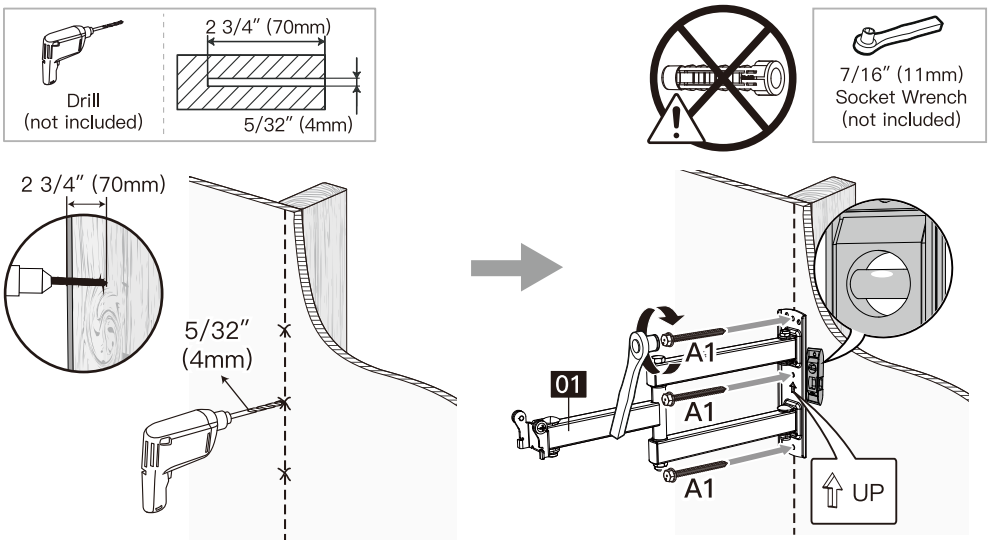
Step 3 Mount the Arm Assembly / Wall Plate on the Wall

Option A: For Wood Studs, follow Page 12.

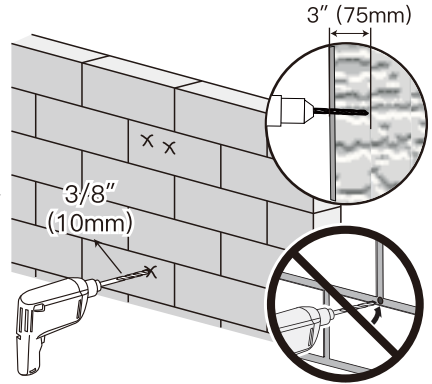
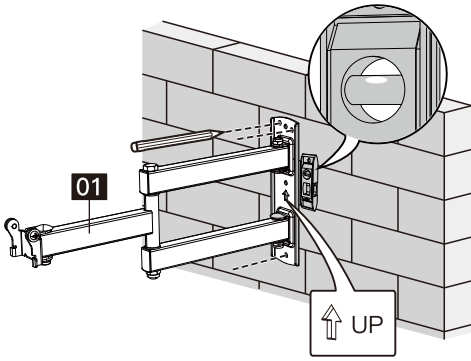
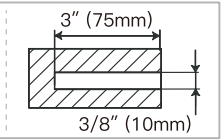
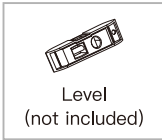
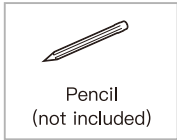
Option B: For Solid Concrete or Brick Walls, follow Page 13.



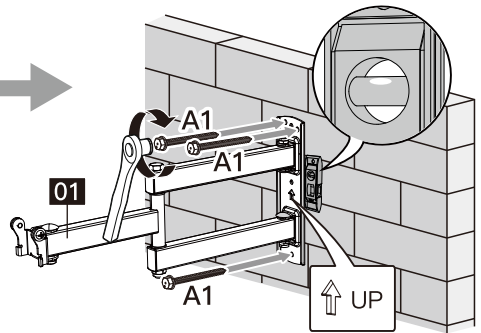
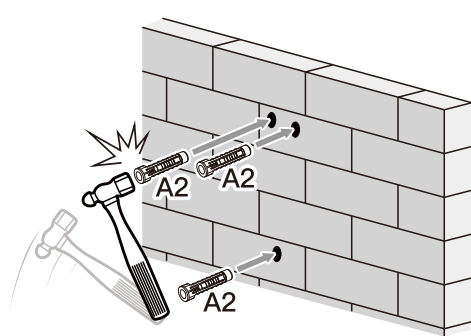
Use a stud finder to locate wood studs, or use an awl to find the edges. Mark the edge and center positions. Position the arm assembly / wall plate [01] at your desired height and line up the holes with your stud centerline. Level the wall plate and mark the holes.



Drill 3 pilot holes using a 5/32" (4mm) diameter drill bit. Make sure the depth is not less than 2 3/4" (70mm). Mount the arm assembly / wall plate [01] on the wall using lag screws [A1]. Tighten lag screws [A1] only until they are pulled firmly against the wall plate (DO NOT overtighten).

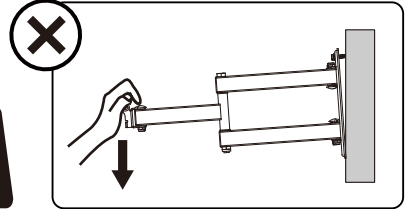
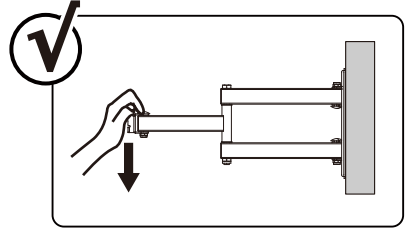
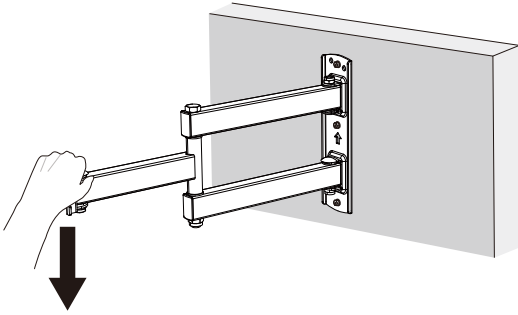


Position the arm assembly / wall plate [01] at your desired height. Level the wall plate and mark the holes. Drill 3 pilot holes using a 3/8" (10mm) diameter drill bit. Make sure the depth is not less than 3" (75mm). Never drill into the mortar between bricks.



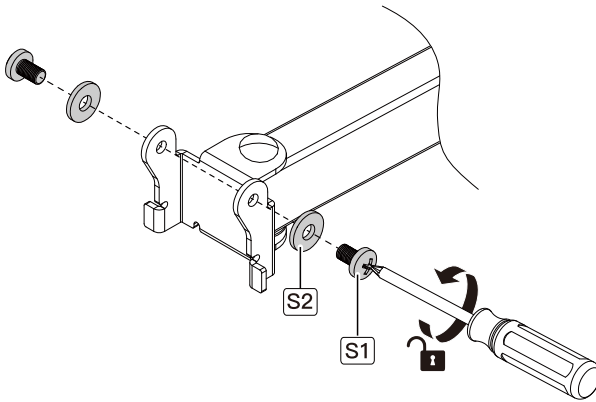
Use a hammer to tap the anchors [A2] into the drilled holes. Ensure the anchors [A2] are seated flush with the concrete or brick surface. Mount the arm assembly / wall plate [01] on the wall using lag screws [A1] and anchors [A2]. Tighten lag screws only until they are pulled firmly against the wall plate (DO NOT overtighten).

Step 4 Verify that the Mount is Firmly Mounted



Step 5 Secure the TV to the Arm Assembly / Wall Plate

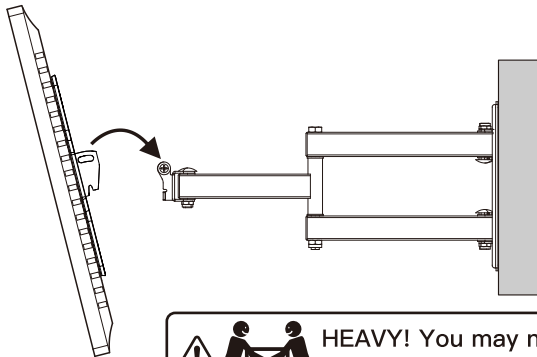
5-1



Phillips
Screwdriver
(not included)

Remove preassembled bolts [S1] and washers [S2] and keep them for Step 5-3.

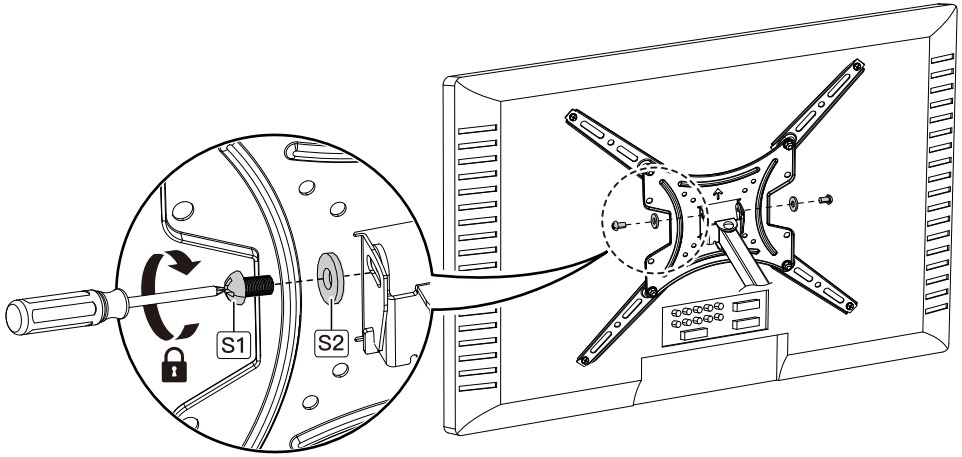
5-2



Hang the TV on the arm assembly.

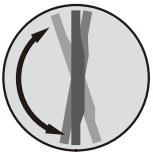


HEAVY! You may need assistance with this step.

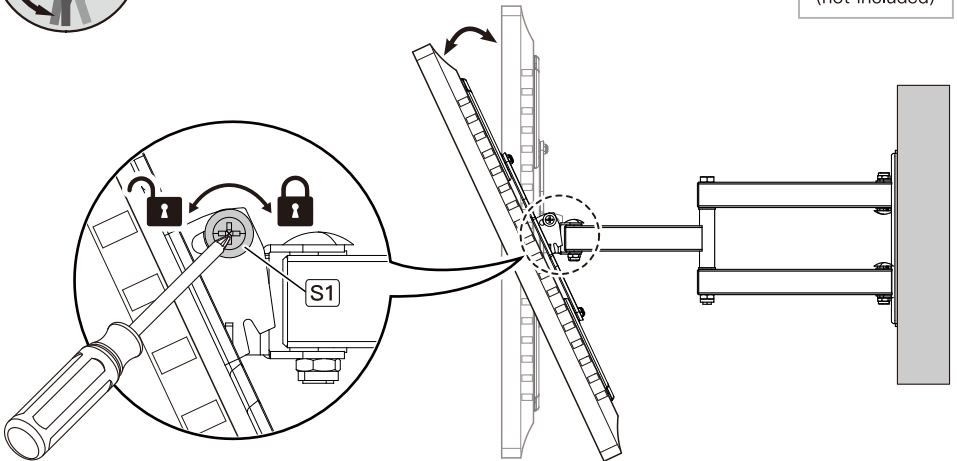


Reattach bolts [S1] and washers [S2] to secure the TV in place.

Step 6 Tilt Adjustment



Phillips
Screwdriver
(not included)

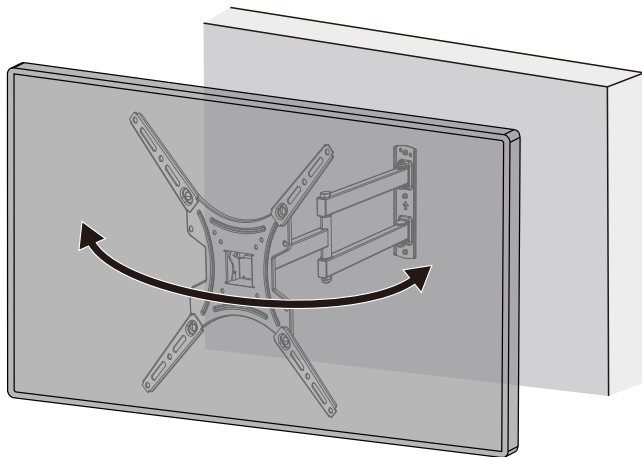


Slightly loosen 2 tilt bolts [S1], then adjust your TV to the desired angle. Retighten the tilt bolts [S1] to lock the tilt angle. Do not overtighten or overloosen.

FAQs

Question: It's too hard to adjust the swivel angle or extension of the TV Wall Mount.

1. Mount the TV and Wall Mount on the wall before trying to move the arms. Only move the TV by the left and right edges. Do not push on the screen of the TV.



2. If you have tried Option 1 but adjustment is still too hard, try lubricating the arm joints with a few drops of machine oil.

