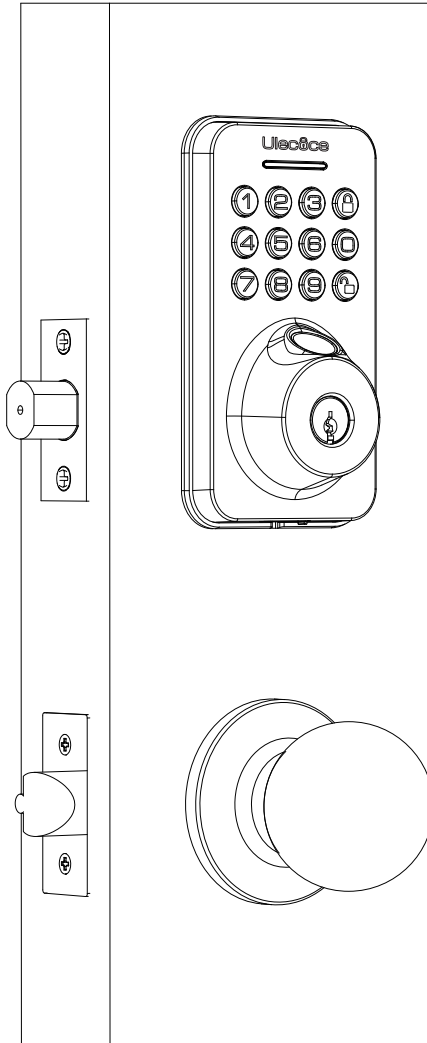


Model: U68

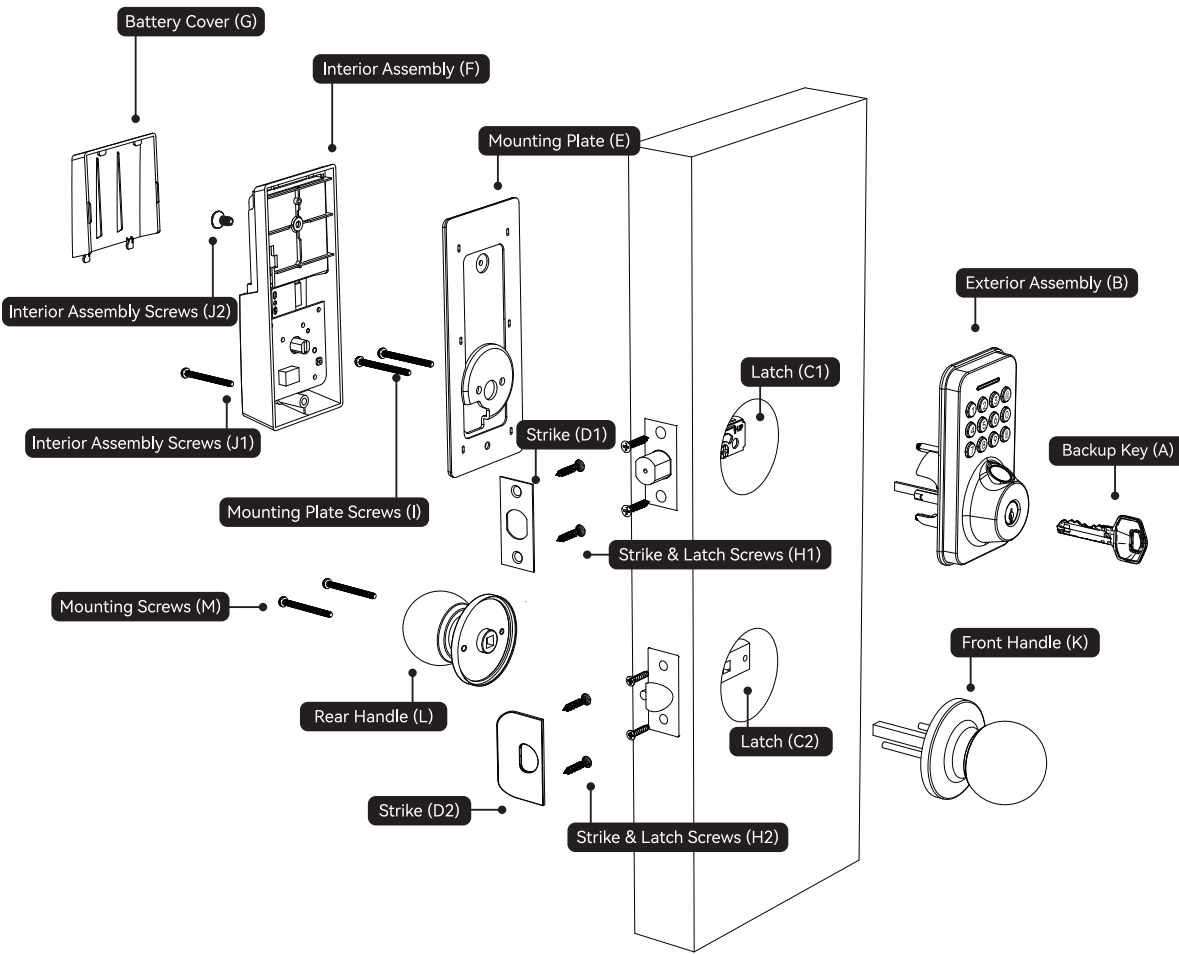
Installation Manual



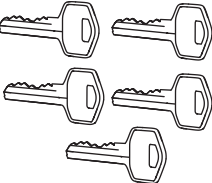

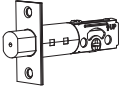
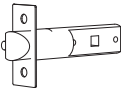

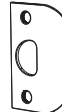


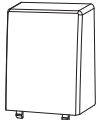
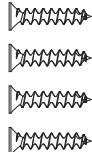
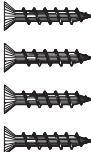



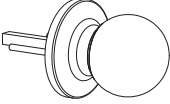
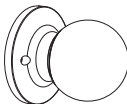

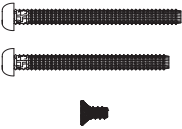
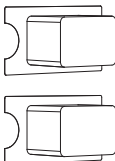

For any issues (installation, programming, troubleshooting, etc.), contact our official email for 24/7 support. Thank you for your trust!

Official E-mail: ulecoce@hotmail.com

Installation Overview



Parts List

<p>A Backup Key x5</p> 	<p>B Exterior Assembly x1</p> 	<p>C1 Latch x1</p> 	<p>C2 Latch x1</p> 
<p>D1 Strike x1</p> 	<p>D2 Strike x1</p> 	<p>E Mounting Plate x1</p> 	<p>F Interior Assembly x1</p> 
<p>G Battery Cover x1</p> 	<p>H1 Strike & Latch Screws x4</p> 	<p>H2 Strike & Latch Screws x4</p> 	<p>I Mounting Plate Screws x2</p> 
<p>J1 Interior Assembly Screws x1</p> 	<p>J2 Interior Assembly Screws x1</p> 	<p>K Front Handle x1</p> 	<p>L Rear Handle x1</p> 
<p>M Mounting Screws x2 (Fixed to the Front Handle)</p> 	<p>N Spare Screws x3</p> 	<p>O Cylinder Protector x2</p> 	<p>P Hand Tool x1</p> 

Installation & Usage Video Guide

Scan for Step-by-Step Installation & Quick Usage Tutorials

Door Lock Installation	Door Knob Installation
	
Password Setting	Bluetooth Connection
	
Automatic lock setting	Volume Setting
	
Other Settings	Restore factory setting
	

Installation Instructions of Keypad Deadbolt



IMPORTANT:

Do not load batteries until
lock is completely installed.

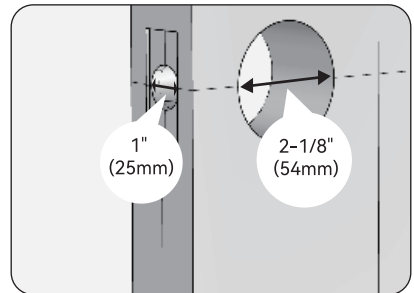
Thank you for your purchase. Please read this manual fully before using the device.
All images are for illustration only; actual product may differ due to upgrades.

STEP

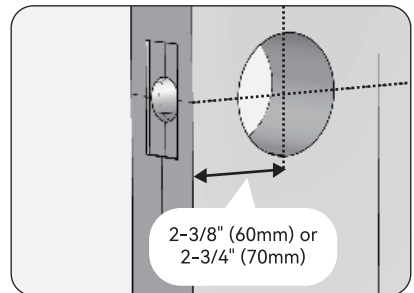
1 Door Preparation & Dimension Check

1. Measure the door face hole to confirm it is 2-1/8" (54mm) in diameter.

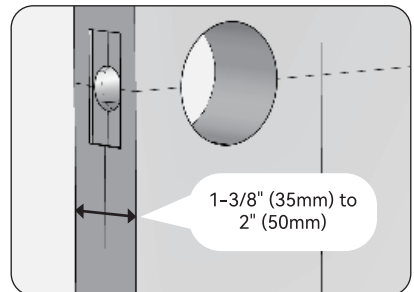
Measure the door edge hole to confirm it is 1" (25mm) in diameter.



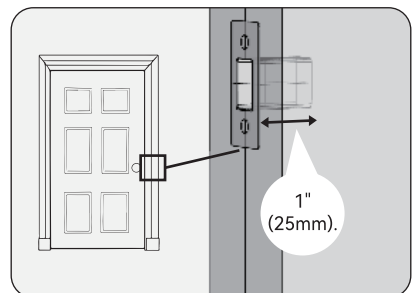
2. Measure to verify the backset (distance from door edge to hole center) is either 2-3/8" (60mm) or 2-3/4" (70mm).



3. Measure to ensure the door thickness ranges from 1-3/8" (35mm) to 2" (50mm).



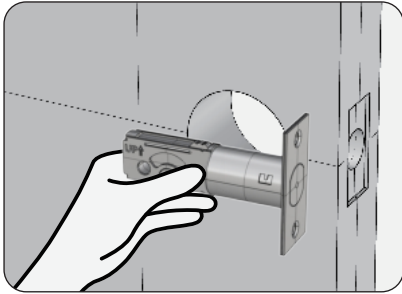
4. Confirm the pre-drilled hole in the door frame has a minimum depth of 1" (25mm).



STEP

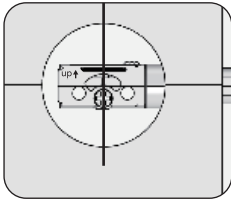
2 Install Latch and Strike

A Determine Backset and Adjust the Latch



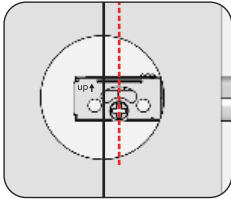
Hold the latch in front of the door edge hole, ensuring the latch face sits flush against the door edge.

Check: Is the slotted hole on the latch centered with the door face hole?



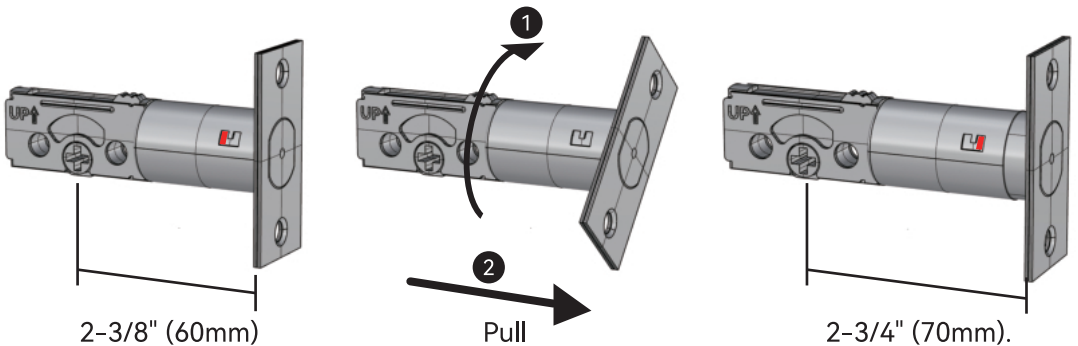
YES

No adjustment is needed. Proceed to the next step.



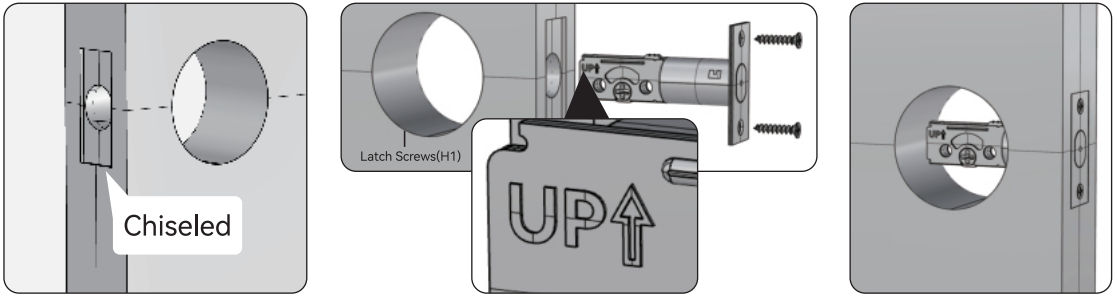
NO

Slotted hole is NOT centered.
Rotate and pull the latch (as illustrated) to extend the latch body until alignment is achieved.

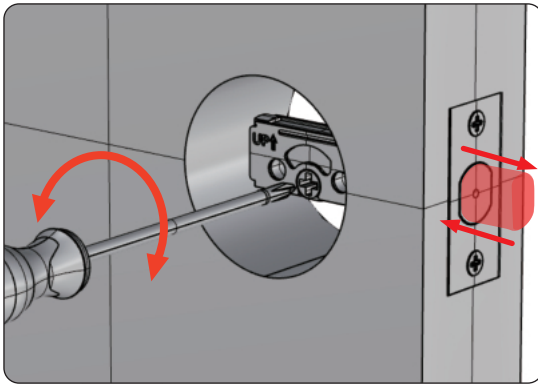


If rotation is blocked or difficult, please try to manually press the bolt to retract it before attempting to rotate.

B Determine Backset and Adjust the Latch

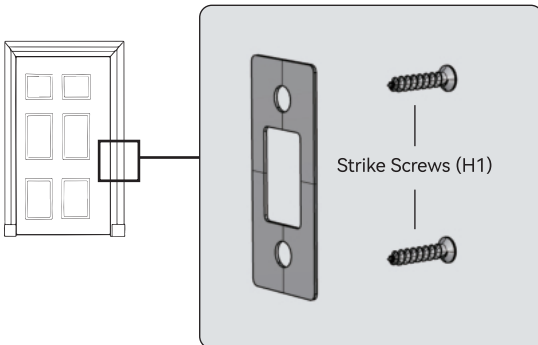


C Test Deadbolt Functionality



Use a screwdriver to test whether the deadbolt operates smoothly (no jamming or resistance).

D Install the Strike on the Door Frame



Align the strike with the pre-drilled hole in the door frame. Secure the strike using the provided Strike Screws (H1).



IMPORTANT:

Ensure the pre-drilled hole in the door frame has a minimum depth of 1" (25mm). This prevents the deadbolt from binding and ensures proper latching.

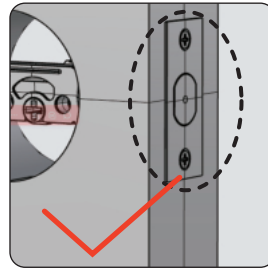
STEP

3 Install Exterior Assembly

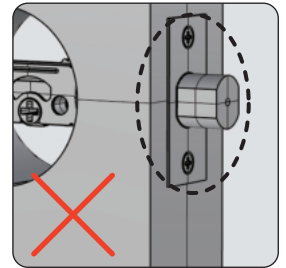


IMPORTANT:

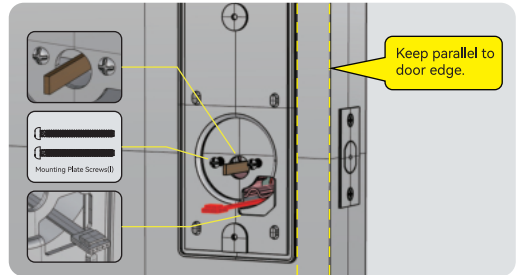
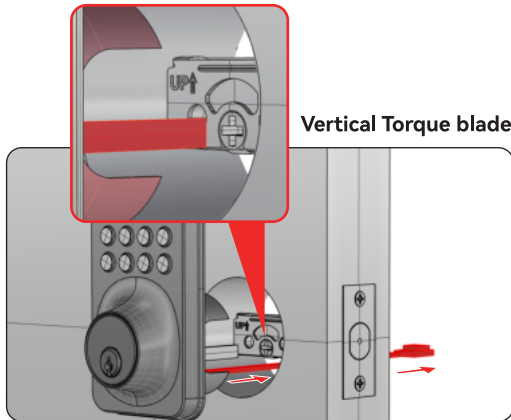
Before installation, make sure the latch is fully retracted (in the unlocked position)



Unlocked



Locked



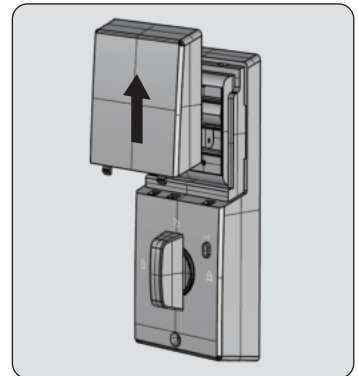
- A** With the latch fully retracted (in the unlocked position), route the cable below the latch, and insert the torque blade (see illustration) **vertically** through the slot in the latch.

- B** Secure the mounting plate with the supplied screws.

STEP

4 Install Interior Assembly

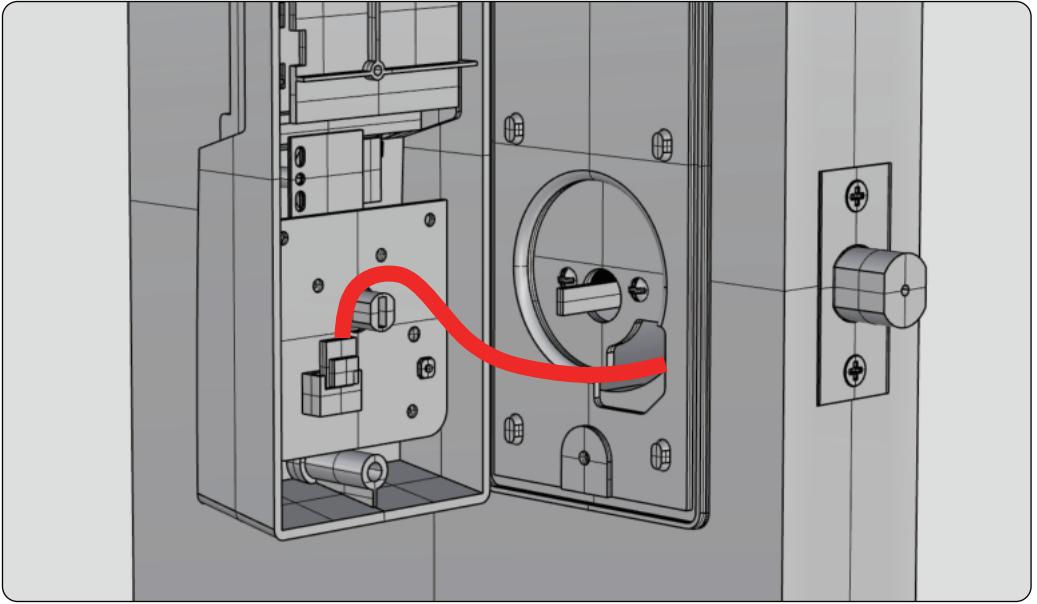
- A** Push the battery cover outward in the direction as illustrated.



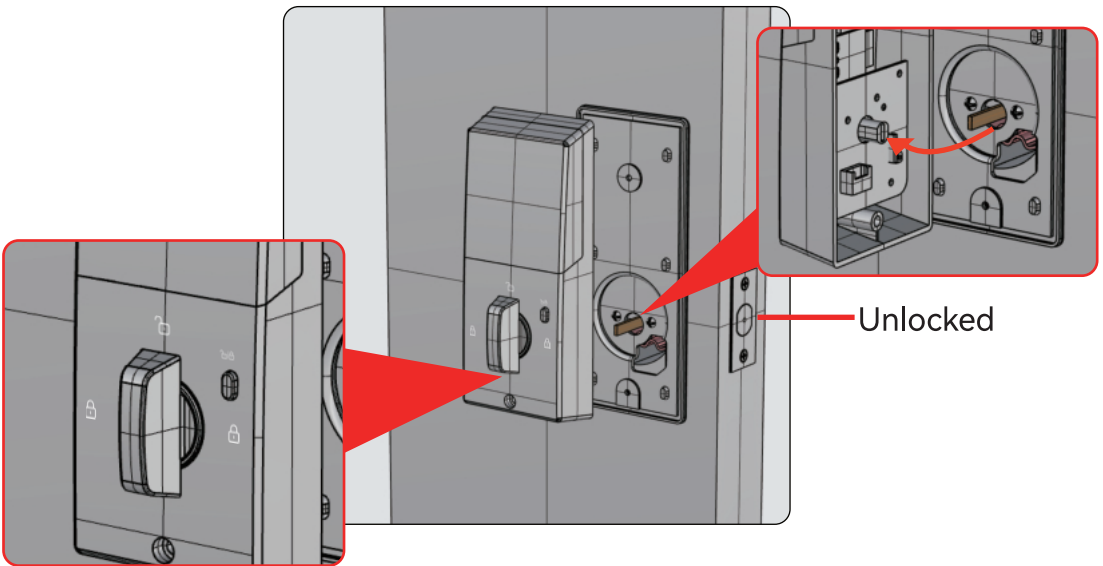
IMPORTANT:

Do not load batteries until lock is completely installed.

- B** Align the cable connector with the socket on the interior assembly. Push the connector firmly into the socket until it is fully seated.



- C** Ensure the thumb turn is in the vertical position and install the interior assembly.

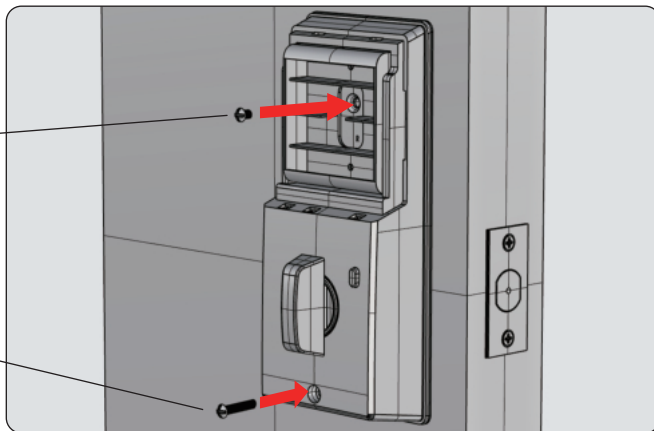


Vertical

D Attach Interior Assembly to Mounting Plate and tighten 2 Screws.



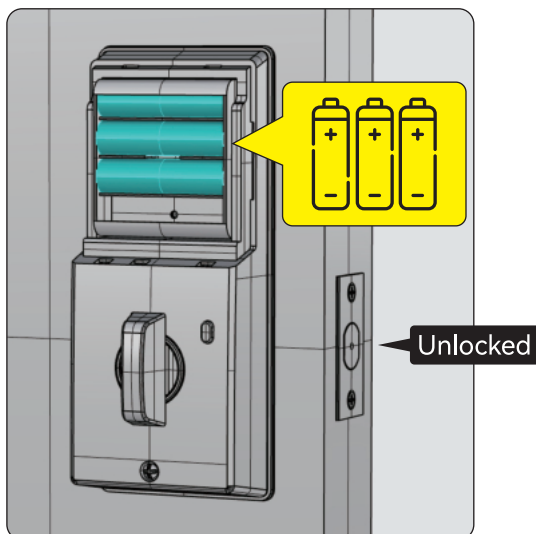
Interior Assembly Screws
(J1 and J2)



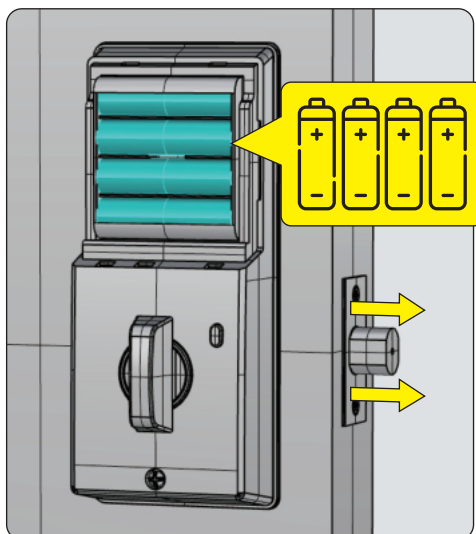
STEP

5 Detect Left/Right-Hand Door Compatibility

A Ensure the door is in the open and unlocked state, insert 4 AA batteries into the battery compartment.

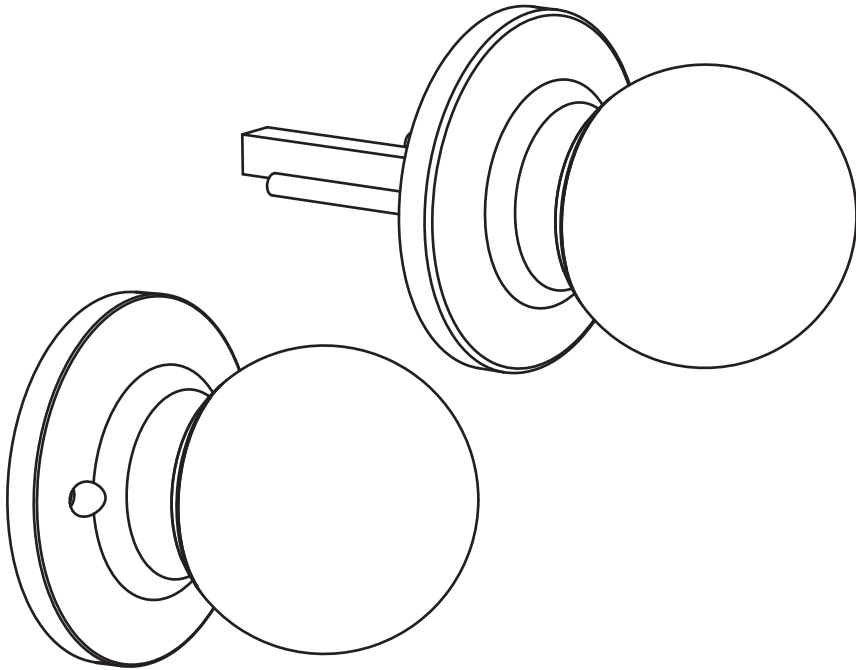


A Once the lock is powered on, the latch bolt will extend automatically to complete the door hand orientation detection.



Note:
For long battery life, use only new, non-rechargeable Alkaline batteries.

Installation Instructions of Handleset



Thank you for your purchase. Please read this manual fully before using the device.
All images are for illustration only; actual product may differ due to upgrades.

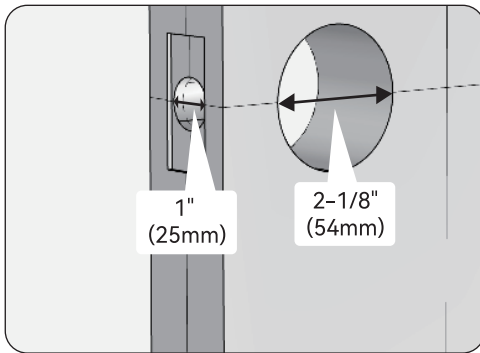
Official E-mail: ulecoce@hotmail.com

STEP

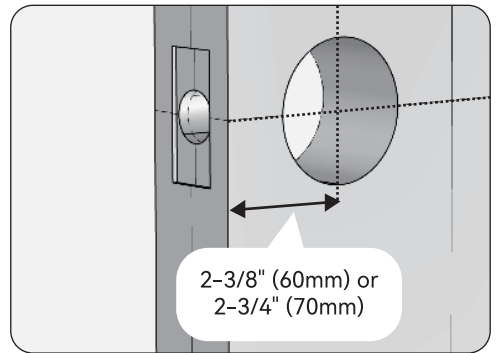
1 Door Preparation & Dimension Check

- If your door already has the holes illustrated below, you may move to the next step.
- If the required holes are not present on your door, use the mounting template as a guide to drill new holes.

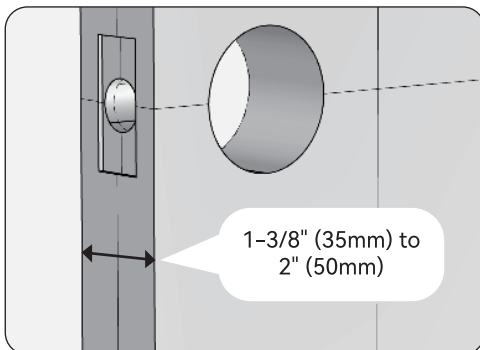
1. Measure the door face hole to confirm it is 2-1/8" (54mm) in diameter. Measure the door edge hole to confirm it is 1" (25mm) in diameter.



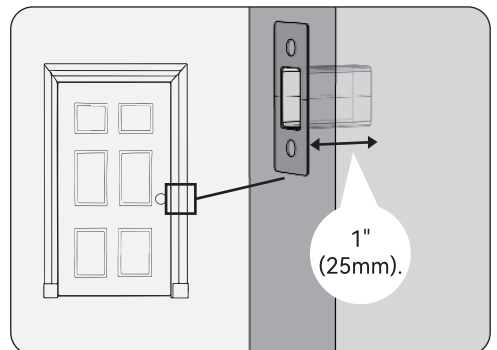
2. Measure to verify the backset (distance from door edge to hole center) is either 2-3/8" (60mm) or 2-3/4" (70mm).



3. Measure to ensure the door thickness ranges from 1-3/8" (35mm) to 2" (50mm).

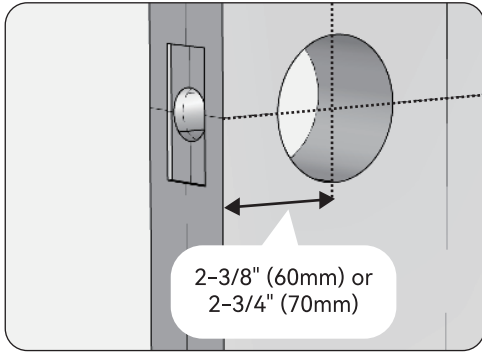


4. Confirm the pre-drilled hole in the door frame has a minimum depth of 1" (25mm).



STEP

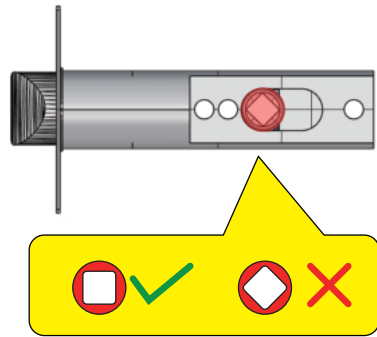
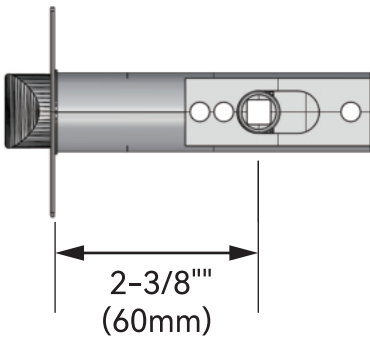
2 Latch Backset Adjustment



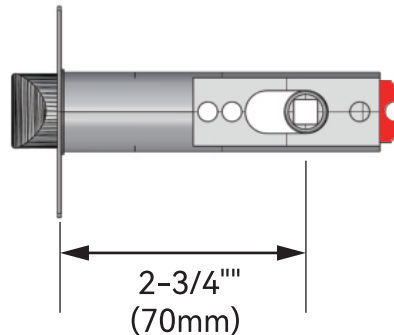
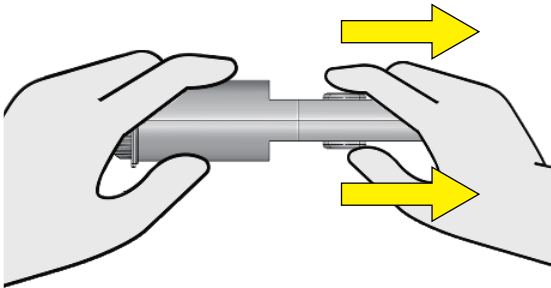
Backset refers to the distance from the **door edge** to the **center of the door hole**.

The latch features an adjustable design, compatible with both 2-3/8" (60mm) and 2-3/4" (70mm) backset sizes.

A For 2-3/8" (60mm) backset: No latch adjustment is required.



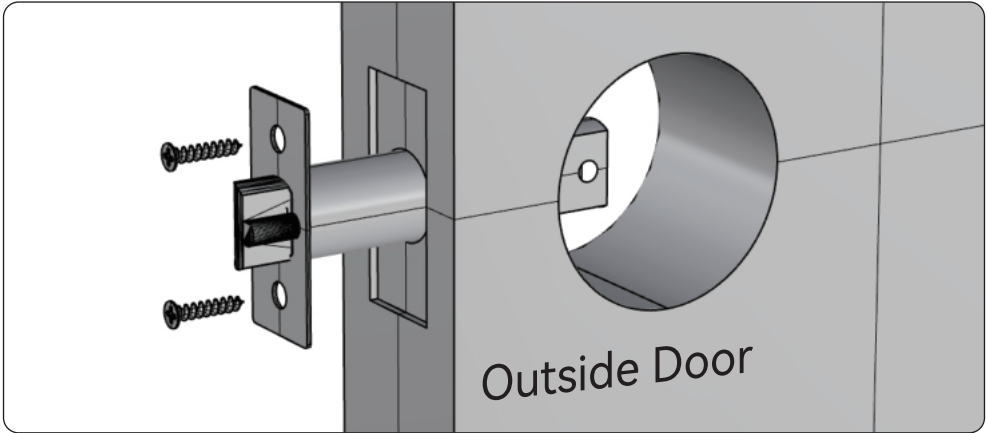
B For 2-3/4" (70mm) backset: Adjust the latch as instructed.



STEP

3 Install Latch and Strike

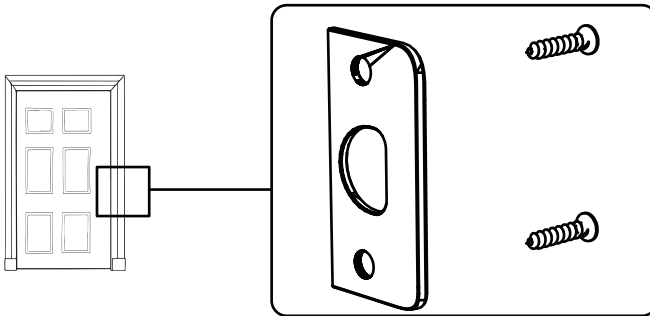
A Position the latch on the door.



IMPORTANT:

Ensure the latch is properly aligned with the chiseled recess on the door edge (misalignment may cause functional issues).

B Proceed to install the strike (on the door frame) after the latch is in place.



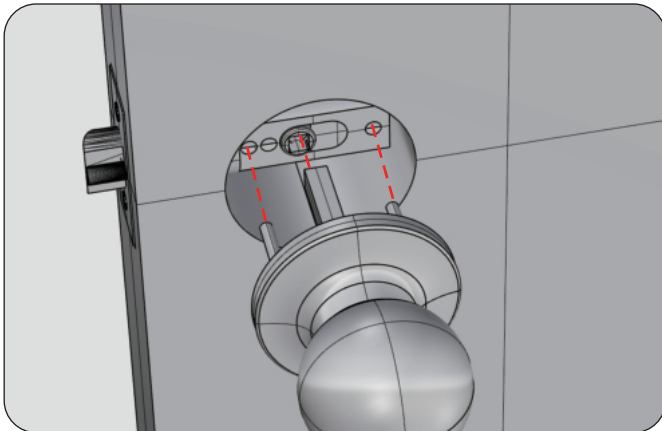
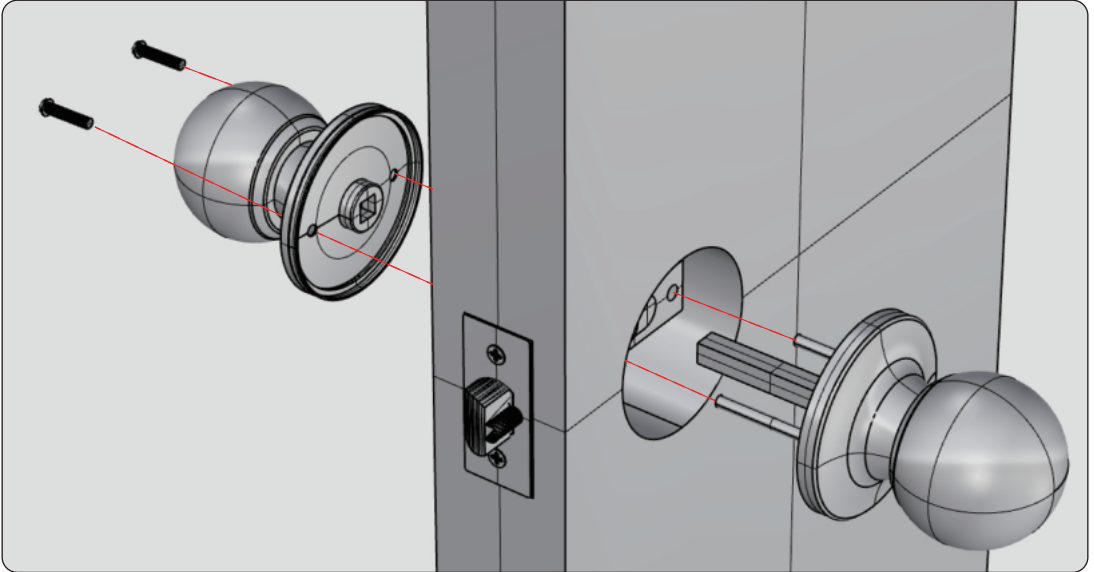
IMPORTANT:

The hole drilled in the door frame must have a minimum depth of 1" (25mm) to ensure the latch engages fully.

STEP

4 Install Front and Rear Handle

- 1 Align the spindle base precisely with the designated hole on the door/latch.
- 2 Once aligned, attach the front handle to the exterior side of the door, and the rear handle to the interior side. Secure both handles firmly.



* Proper alignment of the spindle base with the hole is critical—misalignment may cause the handle to jam or fail to control the latch.

Optional: Front and Rear Handle Disassembly Steps

😊 WARM REMINDER:

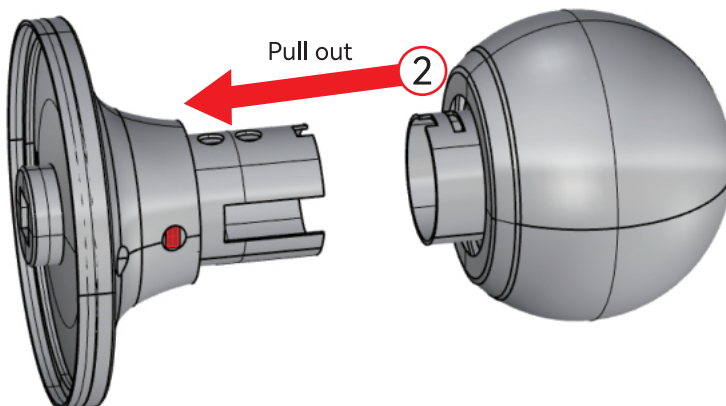
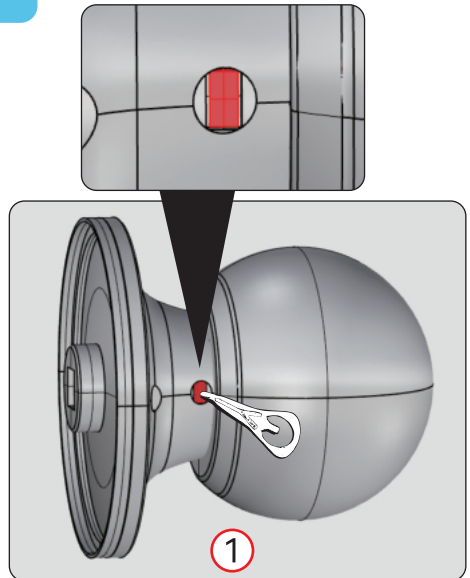
The edges of the internal mechanism may be sharp. Avoid hand injury by handling with care.

A Rear Handle Disassembly Steps

1. Locate the joint point on the rear handle, then press it firmly using the Hand Tool.
2. Once the joint point is fully depressed, pull the rear handle outward to remove it.

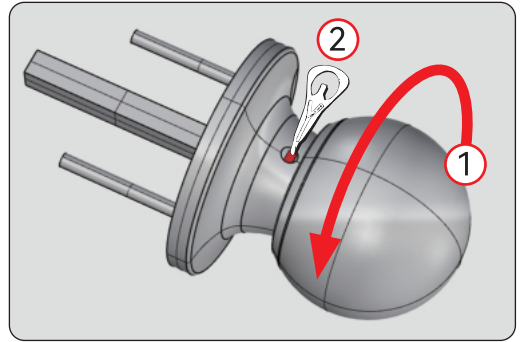
* If the joint point cannot be fully depressed (a common scenario in some cases):
Press the joint point continuously while pulling the rear handle outward to complete disassembly.

Joint Point

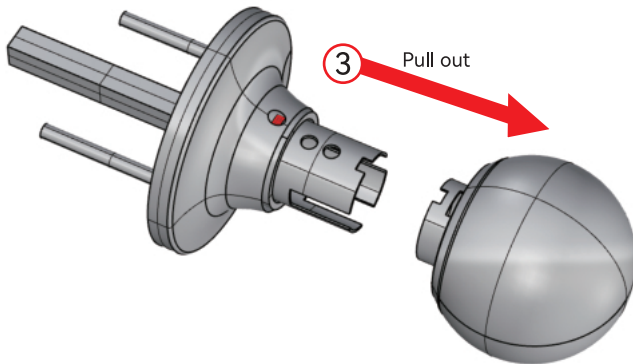


B Front Handle Disassembly Steps

1. Rotate the front handle to expose the handle's joint point—locate this point through the hole on the handle housing.
2. Use the Hand Tool to press the joint point firmly until it is fully depressed, then pull the front handle outward to remove it.

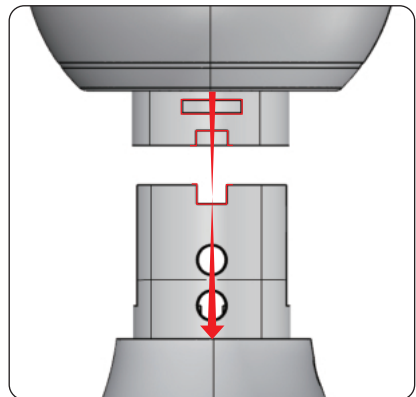


* If the joint point cannot be fully depressed (a common scenario in some cases):
Press the joint point continuously while pulling the front handle outward to complete disassembly.



C Handle Assembly

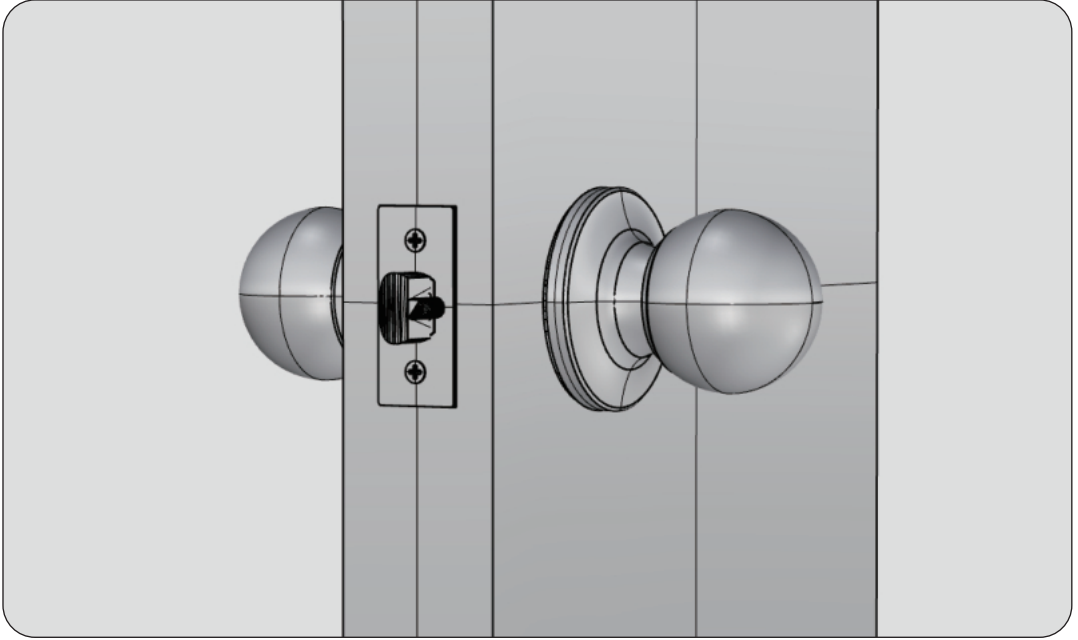
1. Align the hole on the handle with the internal joint point.
2. Push the handle back into place until a soft “ding” sound is heard—this indicates the handle is fully engaged and secured.



STEP

5 Test the Handle

Keep the door in an open position to avoid accidental locking during testing.



Key Check Points:

The handle turns smoothly without jamming, sticking, or excessive force. The latch extends/retracts fully and synchronously with handle movement.



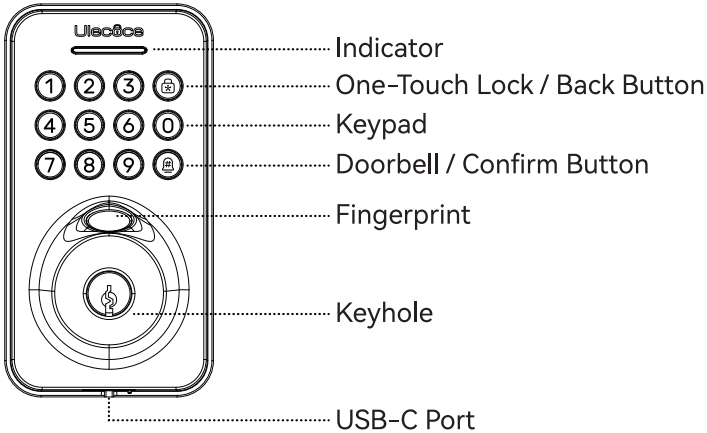
IMPORTANT:

If the handle feels stiff, the latch fails to move, or there's any abnormal resistance, stop testing immediately. Recheck the spindle alignment and handle installation (refer to Step 4) before retrying.

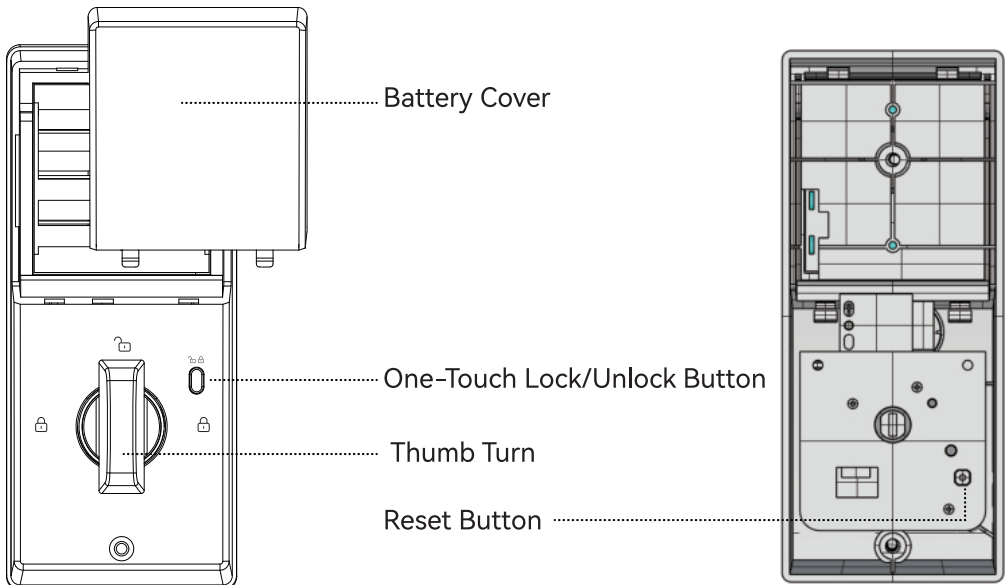
Programming Instructions

At a Glance

Exterior Assembly




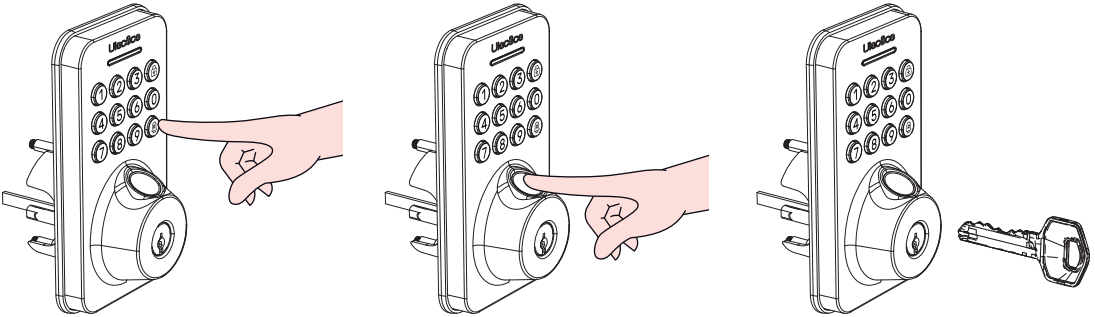
Interior Assembly



How to Use

1. Unlock the Door from Outside

- 1 Enter the Master Code or User Code, then press the Doorbell Button()
- 2 Insert a physical key into the keyhole and turn to unlock.
- 3 Once you've set up your fingerprint, unlock instantly with it.
- 4 When you're within 5 meters of the door lock, swipe in the app to unlock the door.



2. Lock the Door from Outside

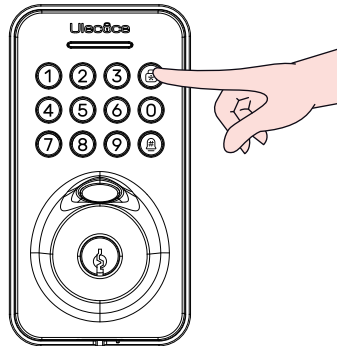
Auto Lock Mode

When Auto Lock mode is enabled, the latch bolt will extend automatically to lock the door. The delay time is customizable (5 to 60 seconds) after the door is unlocked.

Manual Mode

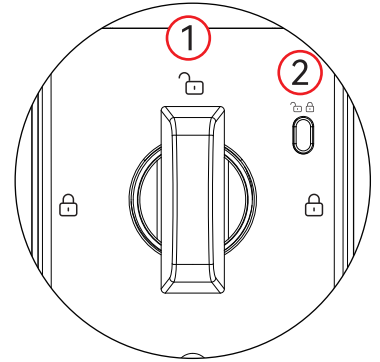
Press the Lock Button at the top-right corner of the keypad to lock the door immediately.

When you're within 5 meters of the door lock, swipe in the app to lock the door.



3. Unlock the Door from Inside

- 1 Rotate the thumb turn to the "Unlock" position
- 2 Or press the One-Touch Lock/Unlock Button at the top-right corner to unlock.
- 3 When you're within 5 meters of the door lock, swipe in the app to unlock the door.



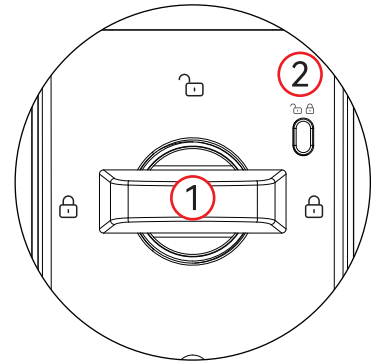
4. Lock the Door from Inside

Auto Lock Mode

When Auto Lock mode is enabled, the lock will engage automatically.

Manual Mode

- 1 Rotate the Thumb Turn to the "Lock" position.
- 2 Or press the One-Touch Lock/Unlock Button at the top-right corner to lock.
- 3 When you're within 5 meters of the door lock, swipe in the app to lock the door.



Code Format & Programming Basic

1. Master Code

- Format: 6–10 digits
- Default Code: 123456 (factory preset)
- Quantity: Multiple Master Codes can be set, with a minimum requirement of 1.



IMPORTANT:

Prior to the first programming operation, replace the default Master Code with a custom 6–10 digit code. For enhanced security, avoid simple sequences (e.g., 123456) or repeated digits (e.g., 111111). As the highest-privilege credential of the system, the Master Code must not be disclosed to unauthorized individuals.

2. User Code


- Total Capacity: Supports up to 512 User Codes
- Flexible Management: Single User Codes can be added individually. For deletion, enter the corresponding User Code ID (e.g., 002) for precise operation.


Quick Set up



IMPORTANT:

Default Master Code: 123456. **You must change this to your own custom administrator password before using other functions.**

Keys:  Confirmation key (use to submit codes/choices).

 Back key (returns to the previous menu).

1. Administrator Password Management

Initial Administrator Password Change




Press **1** + 



Enter default code 123456



Press  to confirm



Press **1** + **1**



Enter your new administrator password+  **twice**

Success: Green light illuminates

Add Administrator Password/fingerprint




Press **1** + 



Enter current administrator password




Press  to confirm



Press **1** + **1**



For password: Enter the new administrator password+  **twice**
For fingerprint: Scan the fingerprint **5 times**

Success: Green light illuminates

Delete administrator password




Press **1** + 



Enter current administrator password



Press  to confirm

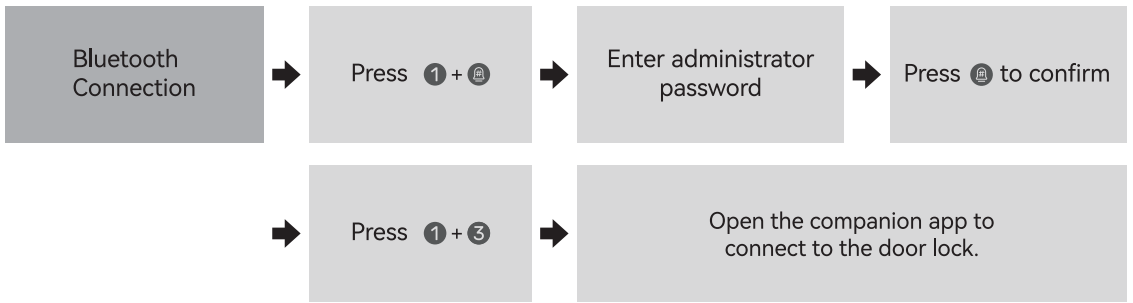


Press **1** + **2**

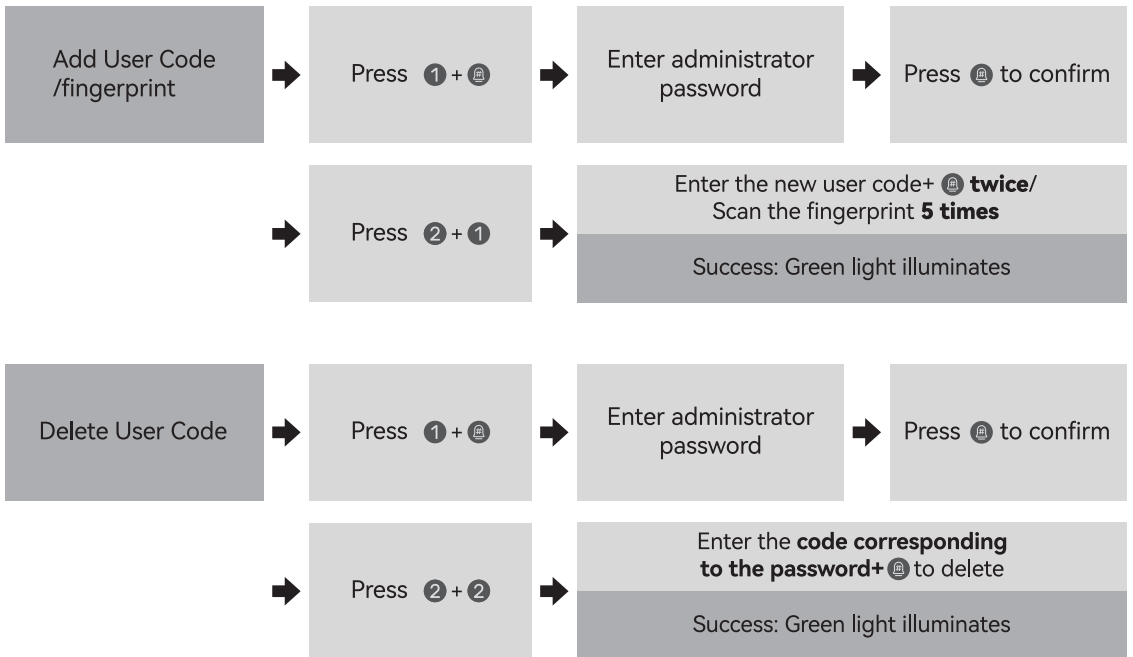


Enter the **code corresponding to the password**+  to delete

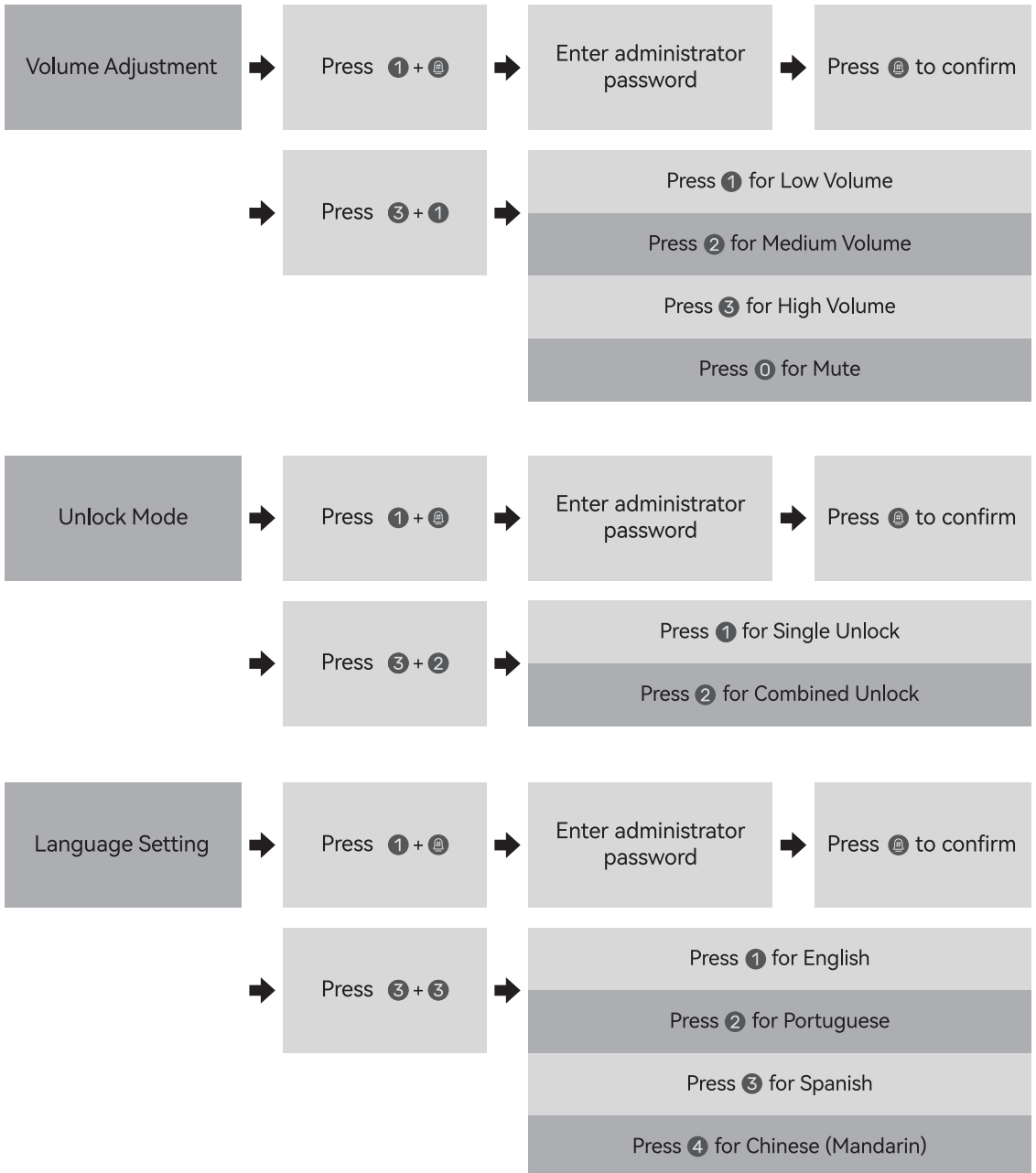
Note: Each password has a unique code

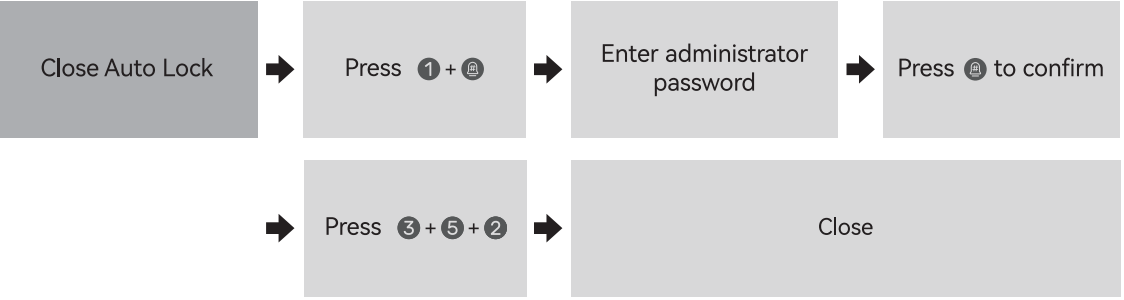
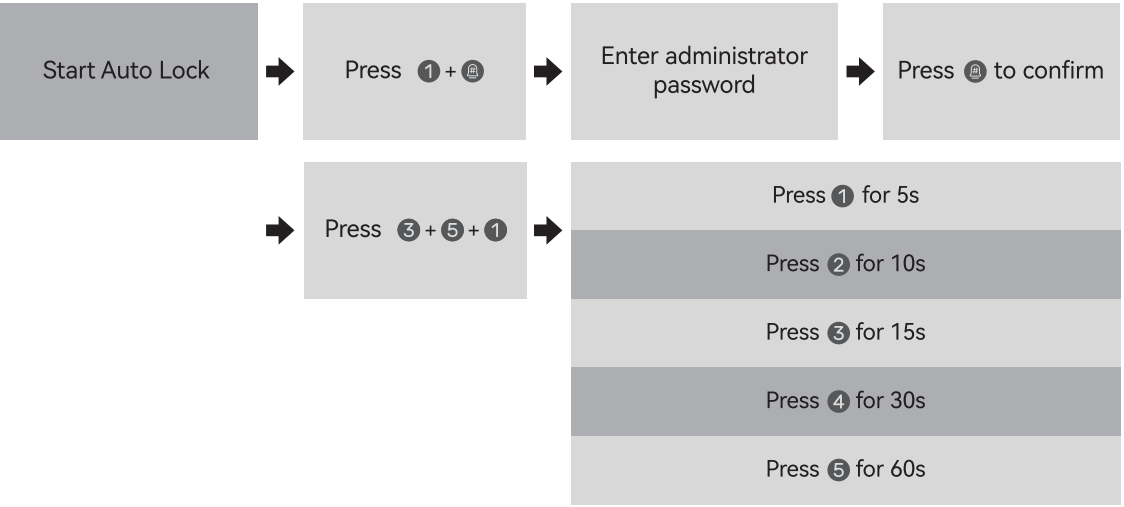
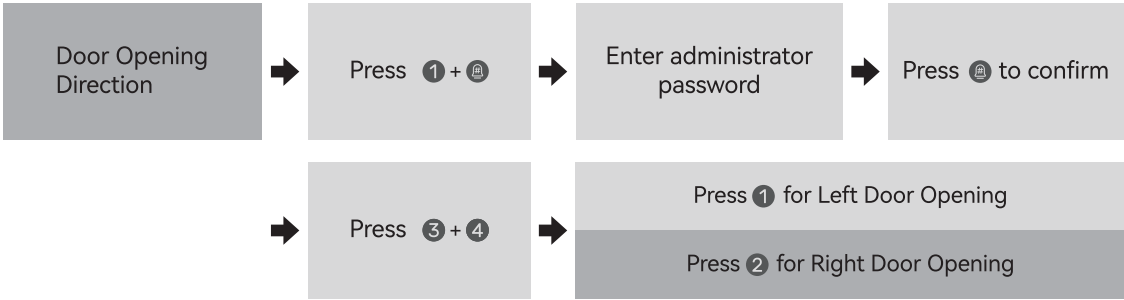


2. User Code Management

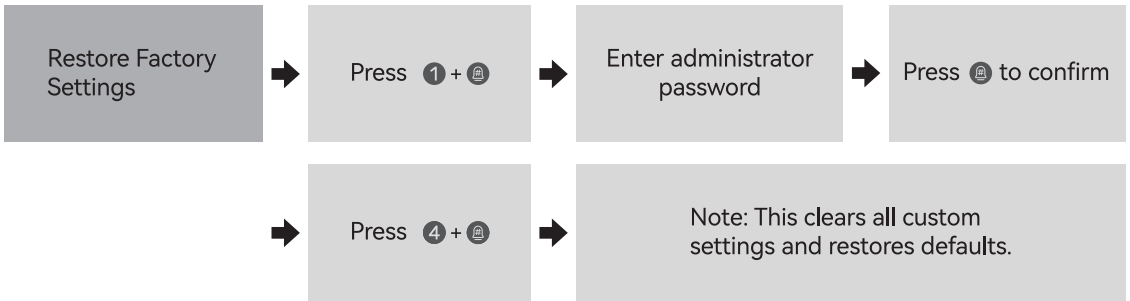


3. System Settings





4. Restore Factory Settings



Notes:

- 1.Silent mode only activates during unlock operations.
- 2.Red light indicates a failed operation; repeat the steps.

Factory Default Settings

1. How to Reset?



IMPORTANT:

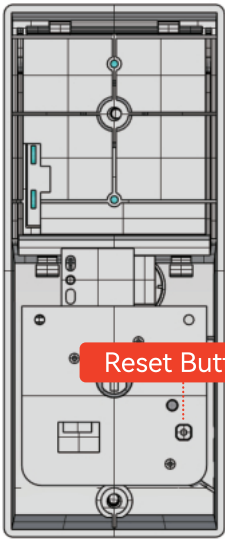
Resetting the lock will delete all stored User Codes. Ensure this is intended before proceeding.

● Option 1 : Via Keypad Command

Enter the factory reset command on the keypad.

● Option 2: Via Reset Button

- Keep the door open and unlocked then press and hold the Reset button (see illustration on the right: Reset Button).
- Continue holding the Reset Button—you will hear beeps and the indicator light will turn blue.
- Keep holding the Reset Button for approximately 10 seconds. The indicator light will then turn green, with a voice prompt: "Factory reset successful" (reset process is complete).button (see illustration on the right: Reset Button).



Settings	Factory Defaut
Master Code	123456
Auto Lock	5 sec
Silent Mode	Disabled
Wrong Code Entry Limit	5 times
Shutdown Time	1 min

Troubleshooting

● Why does the motor rotate but the latch not extend when resetting the lock?

This issue may be caused by improper installation. Please follow these steps to check and resolve:

- Ensure the latch and strike are properly aligned.
- If the mounting screws for the exterior keypad assembly and latch are either too loose or too tight, reinstall them to the correct tightness.
- Open the door and re-perform the lock reset.

● Why does neither the latch extend nor the motor rotate when resetting the lock?

- Keep the deadbolt latch in the retracted position (unlocked state) throughout the entire installation process.
- When installing the interior assembly, ensure the thumb turn is in a vertical position.
- Open the door and re-perform the lock reset.

- **Why does the latch extend and retract repeatedly when trying to lock/unlock the deadbolt?**

This occurs due to misalignment between the latch and strike.

Please resolve it as follows:

- Ensure the latch hole on the door frame is at least 1 inch (approx. 2.54 cm) deep to allow the latch to fully extend.
- Check if the door closes properly: The deadbolt latch should not hit the strike or the side of the door frame; it must slide smoothly into the latch hole.

- **What if I forget my Master Code?**

- If you forget your Master Code, press and hold the reset button located inside the back panel.
- The original default Master Code (123456) will be restored and functional.
- All previously stored User Codes will be erased.

Information & Safety Warnings

- **Security Precautions**

- Safeguard your User Codes and Master Code; do not share them with unauthorized individuals.
- Limit access to the lock's Interior Assembly. Regularly check your lock settings to ensure no unauthorized modifications have been made.
- The manufacturer reminds you: No single lock can provide absolute security on its own. This lock may be compromised by forcible entry, technical means, or bypassed via other access points of the property.
- No lock can replace personal caution, environmental awareness, and common sense. Always maintain vigilance for potential security risks.

● Maintenance & Environmental Notes

- To preserve the lock's finish for long-term use: Clean the surface with a soft, damp cloth when needed. Avoid using lacquer thinner, caustic soaps, abrasive cleaners, or polishes—these may damage the coating and cause tarnishing.
- This lock is water-resistant, not waterproof. It can withstand occasional water splashes, but do not allow water or other liquids to enter the lock interior (e.g., battery compartment, keypad gaps).
- Avoid prolonged direct sunlight exposure. Long-term exposure may degrade the lock's material (e.g., keypad, exterior casing) and affect performance.

FCC Warning

This device complies with Part 15 of the FCC Rules. Operation is subject to the following two conditions:

(1) This device may not cause harmful interference, and (2) this device must accept any interference received, including interference that may cause undesired operation.

NOTE 1: This equipment has been tested and found to comply with the limits for a Class B digital device, pursuant to part 15 of the FCC Rules. These limits are designed to provide reasonable protection against harmful interference in a residential installation. This equipment generates, uses and can radiate radio frequency energy and, if not installed and used in accordance with the instructions, may cause harmful interference to radio communications. However, there is no guarantee that interference will not occur in a particular installation. If this equipment does cause harmful interference to radio or television reception, which can be determined by turning the equipment off and on, the user is encouraged to try to correct the interference by one or more of the following measures:

- Reorient or relocate the receiving antenna.
- Increase the separation between the equipment and receiver.
- Connect the equipment into an outlet on a circuit different from that to which the receiver is connected.
- Consult the dealer or an experienced radio/TV technician for help.

NOTE 2: Any changes or modifications to this unit not expressly approved by the party responsible for compliance could void the user's authority to operate the equipment.

RF Exposure Statement

To maintain compliance with FCC'S RF Exposure guidelines, This equipment should be installed and operated with minimum 20cm between the radiator and your body. This device and its antenna(s) must not be co-located or operation in conjunction with any other antenna or transmitter.

Quick Set Up



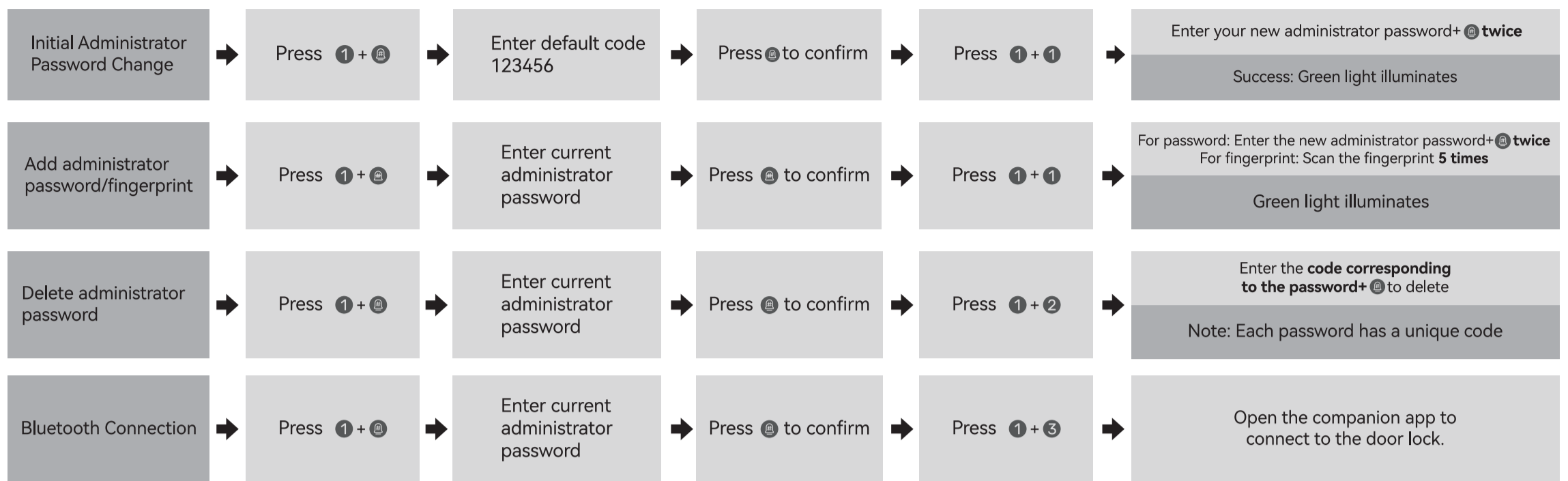
IMPORTANT:

Default Master Code: 123456. **You must change this to your own custom administrator password before using other functions.**

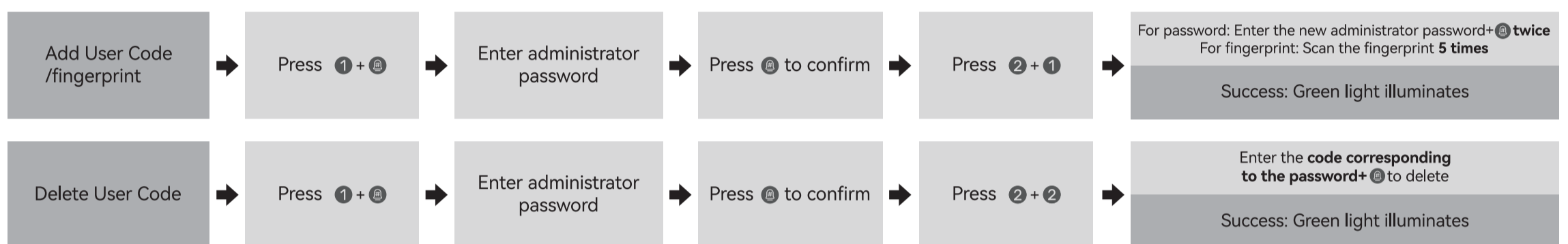
Keys: Confirmation key (use to submit codes/choices).

Back key (returns to the previous menu).

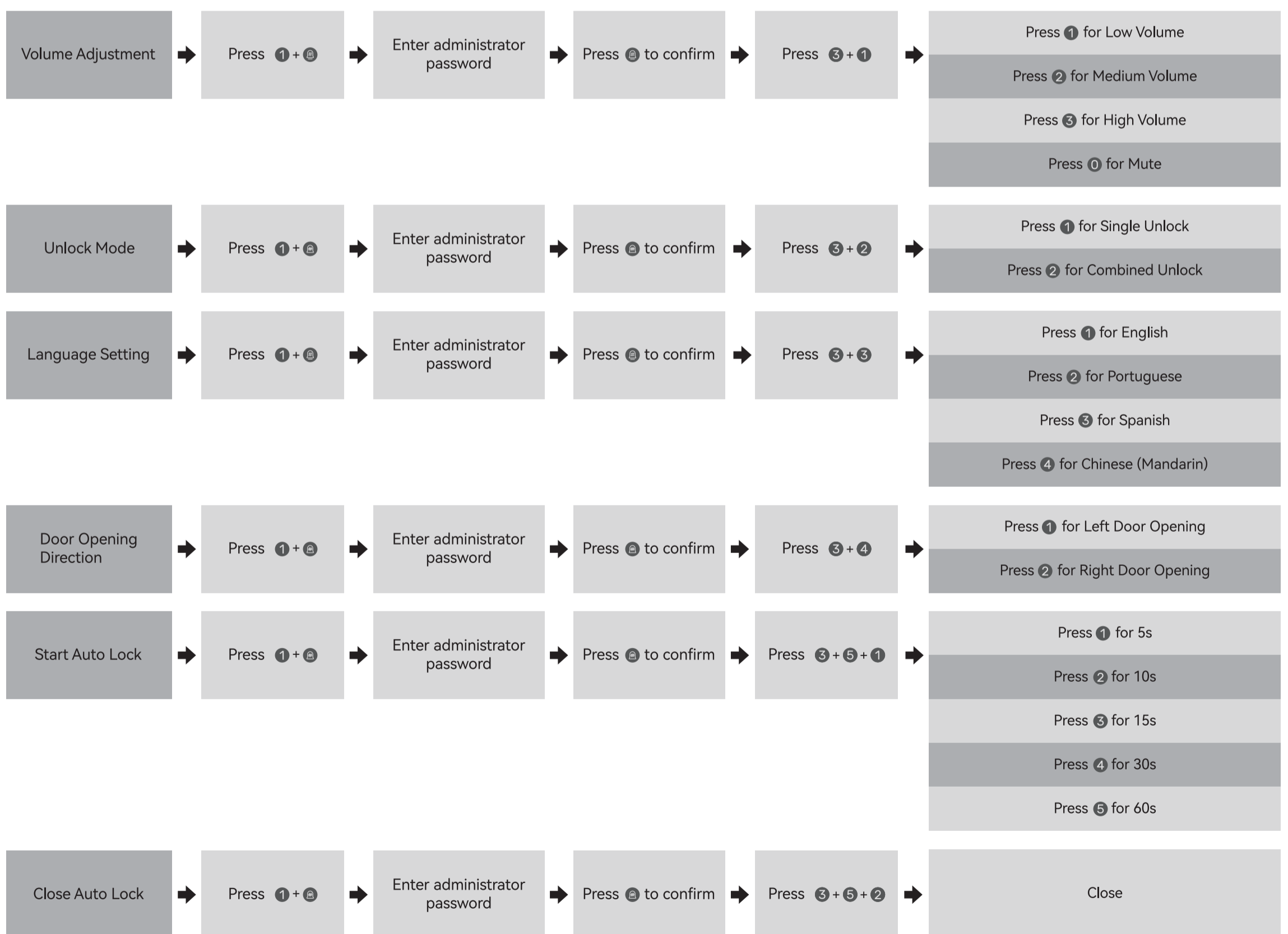
1. Administrator Password Management



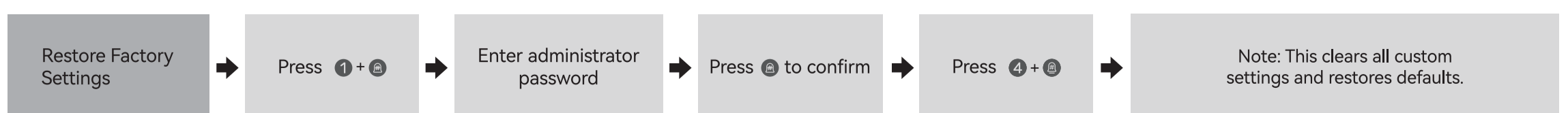
2. User Code Management



3. System Settings



4. Restore Factory Settings



Notes:

1.Silent mode only activates during unlock operations.

2.Red light indicates a failed operation; repeat the steps.