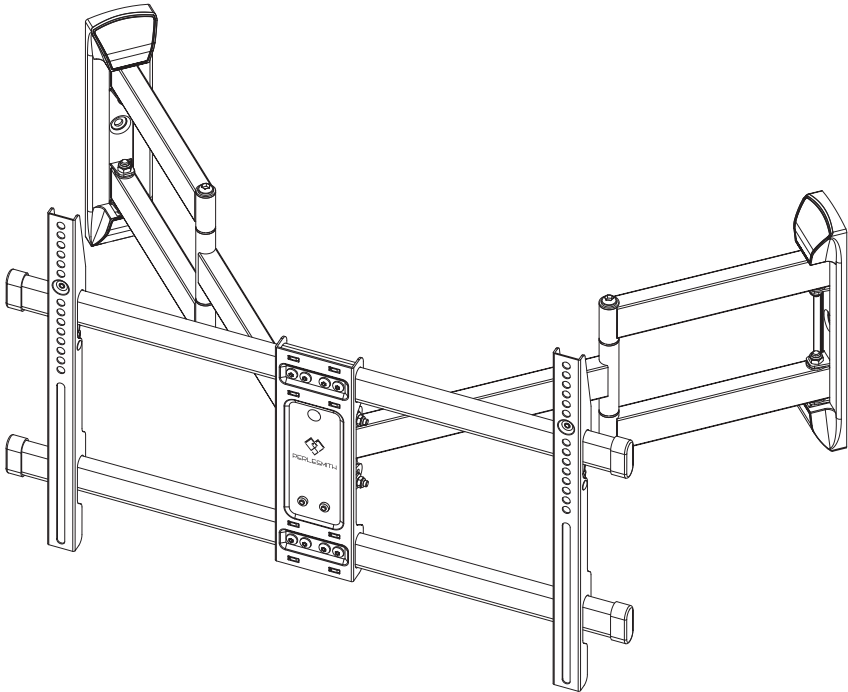




PERLESMITH

Installation Instructions

V1.0



PSCLF1



Thank you for choosing our product! We strive to provide the best quality and services for our customers. Would you kindly share your experience on Amazon if you are satisfied? Should you have any issues, please don't hesitate to contact us.

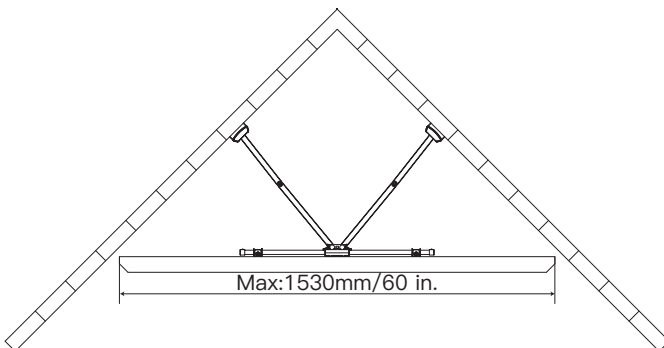
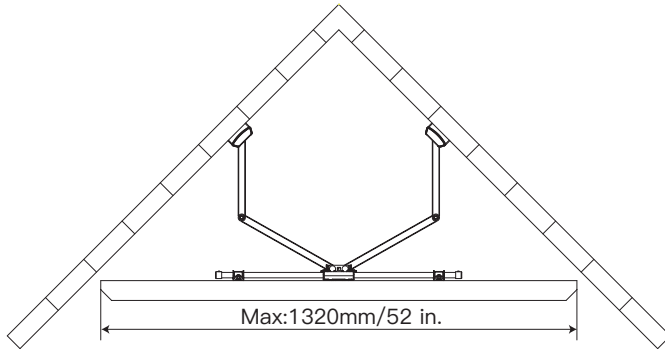
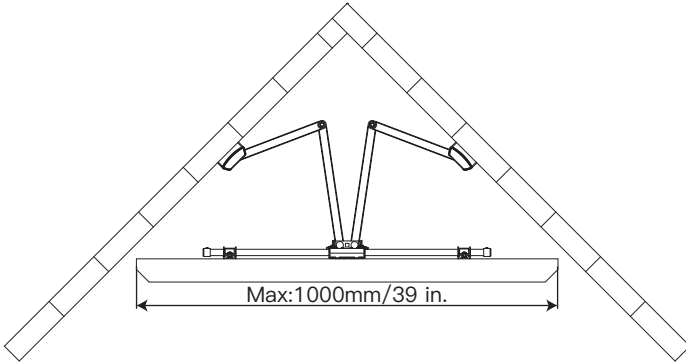
Telephone:

1-800-556-6806 Mon-Fri 10am - 6pm (PST) (USA) (CAN)

Email:

supportus@perlesmith.com (US/CA/DE/UK/FR/IT/ES/AU)

Note: To keep your TV from colliding with the walls, please note the individual maximum width of the TV for the three different adjustment methods of the TV wall mount.



IMPORTANT SAFETY INFORMATION

- Check package contents against Supplied Parts and Hardware List to assure that all components were received undamaged. Do not use damaged or defective parts. If you require replacement parts, contact customer service at supportus@perlesmith.com
- Not all parts and hardware included will be used.
- Carefully read all instructions before attempting installation. If you do not understand the instructions or have any concerns or questions, please contact customer service at supportus@perlesmith.com
- This product may contain moving parts. Use with caution.
- Do not use this product for any purpose or in any configuration not explicitly specified in this instruction. We hereby disclaim any liability for injury or damage arising from incorrect assembly, incorrect mounting, or incorrect use of this product.
- DO NOT INSTALL INTO DRYWALL ALONE.**
- Please check www.perlesmith.com for more products and company information.

Tools Needed (Not Included)



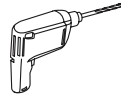
Stud Finder



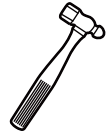
Tape Measure



Pencil



Drill



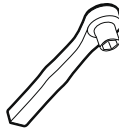
Hammer



5mm
Wood Drill



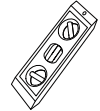
10mm
Concrete Drill



13mm
Socket Wrench

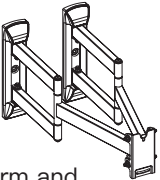


Screwdriver

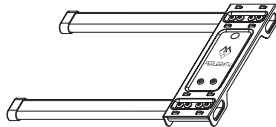


Level

Supplied Parts



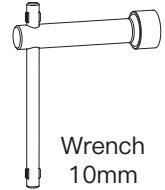
Arm and
Wall Plate **01** x1



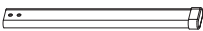
Front Support **02** x1



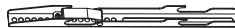
Wall Plate
Template
05 x2



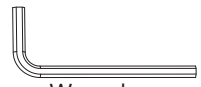
Wrench
10mm



Arm Extensions **03** x2



TV Bracket **04** x2



Wrench
4mm

Supplied Hardware

Hardware for Attaching TV Brackets to TV

06 Washers



M6/M8 x4

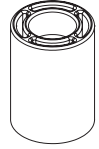
07 Spacers [If necessary]



2.5mm X8



10mm X4



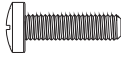
22mm X4

08 TV Screws [Only one size fits your TV]

M6



M6 x 15mm x4

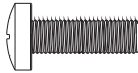


M6 x 35mm x4

M8



M8 x 25mm x4



M8 x 35mm x4



M8 x 50mm x4

Hardware for Attaching the Arm Assembly/Wall Plate to Wall

Lag Bolts ST8X65



x6

A1

Washers M8



x6

A2

Wall Anchor



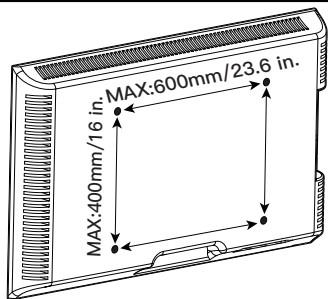
x6

A3

CAUTION!

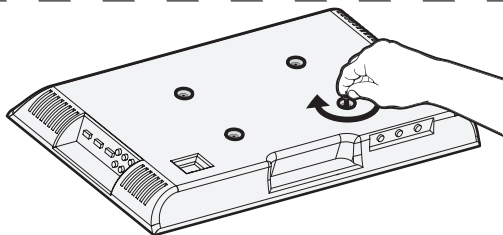
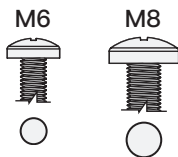
These anchors are for concrete or brick walls ONLY. DO NOT use them in drywall or wood studs.

Step 1 Check TV Hole Pattern and Select TV Screws



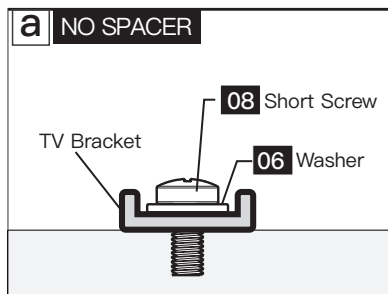
100 mm \approx 4 in.
200 mm \approx 7 7/8 in.
300 mm \approx 11 3/4 in.
400 mm \approx 15 3/4 in.
600 mm \approx 23 6/10 in.

Only one screw size fits your TV.



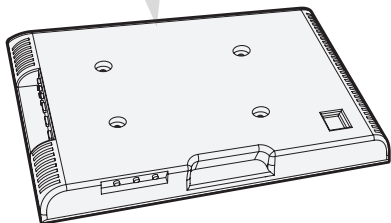
Step 2 Select Spacers (if needed)

a NO SPACER

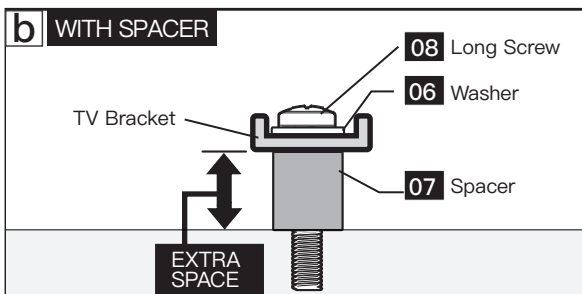


For Flat TV

Spacer not necessary



b WITH SPACER

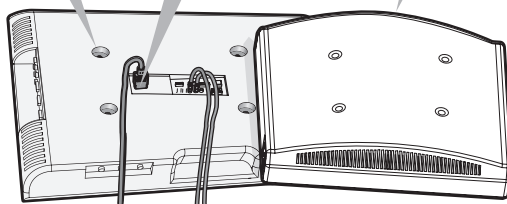


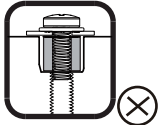
For Flat TV with:

Inset Holes

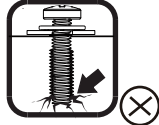
Cable Interference

For Rounded TV

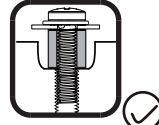
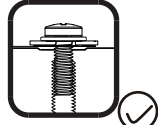




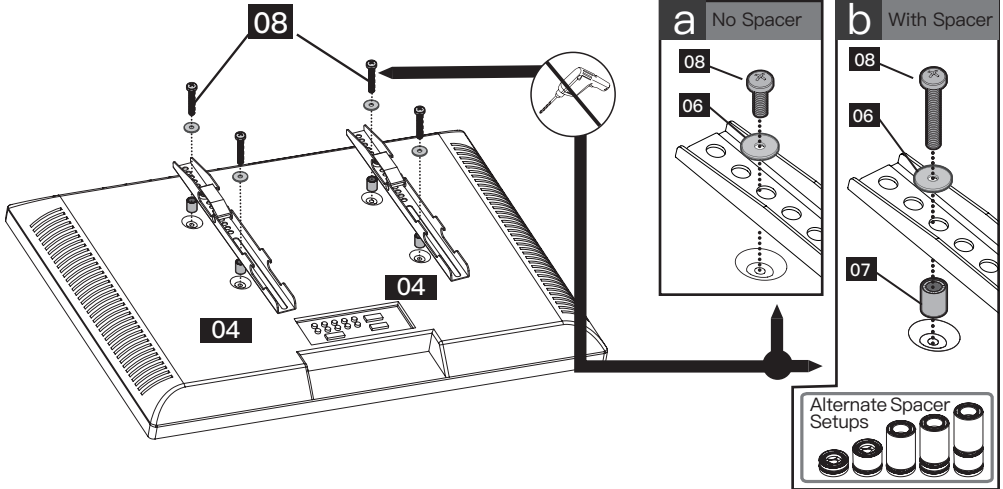
Too Short



Too Long



Step 3 Secure the TV Brackets to Your TV



Step 4 Attach the Arm Assembly/Wall Plate [01] to Wall

For wood stud installation, follow STEP 4A

For concrete installation, follow STEP 4B

Step 4A Wood Stud Option

⚠ WARNING:

● Avoid potential personal injury or property damage! DO NOT over-tighten the lag bolts [A1]. Tighten the lag bolts [A1] only until the washers [A2] are pulled firmly against the wall plate.

● DONOT USE ANCHOR [A3] FOR THIS STEP!

● Ensure the arm assembly/wall plate [01] is securely fastened to the wall before continuing on to the next step.

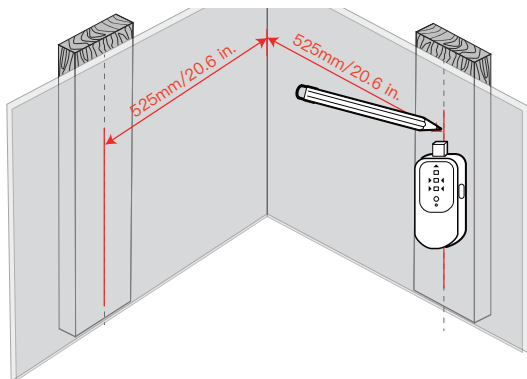
● Any material covering the wall must not exceed 5/8 in. (16 mm)

● Nominal wood stud size: common 2 x 4 in. (51 x 102 mm) minimum 1 1/2 x 3 1/2 in. (38 x 89 mm)

● Stud center must be verified

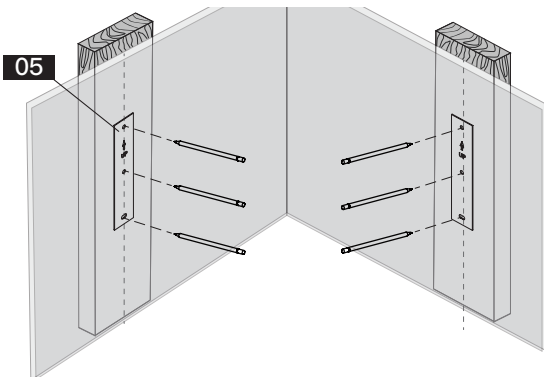


4A-1



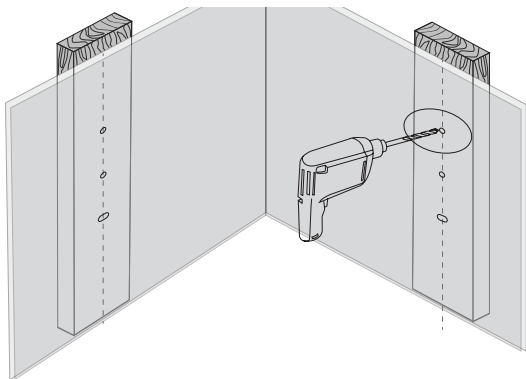
Use a stud finder(not included) to locate wood studs. Mark the edge and center locations.(The distance to assemble is 525mm/20.6 in.)

4A-2

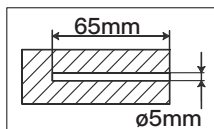


Position the arm template [05] at your desired height and line up the holes with your stud center line. Level the wall plate and mark the holes.

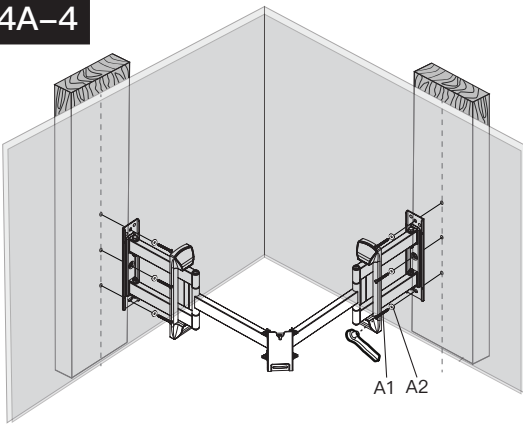
4A-3



Drill 6 pilot holes using a 5 mm diameter drill bit. Make sure the depth is not less than 65mm.



4A-4



Install the arm assembly/wall plate using lag bolts [A1] and washer [A2]. Tighten the lag bolts [A1] only until the washers [A2] are pulled firmly against the wall plate.



13mm
Socket Wrench
(Not included)

Step 4B Solid Concrete or Concrete Block Option

⚠ WARNING:

● Avoid potential personal injury or property damage! DO NOT over-tighten the lag bolts [A1]. Tighten the lag bolts [A1] only until the washers [A2] are pulled firmly against the wall plate.

● Ensure the arm assembly/wall plate [01] is securely fastened to the wall before continuing on to the next step.

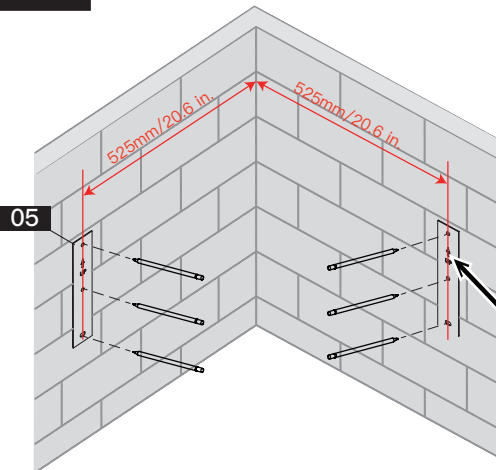
- Any material covering the wall must not exceed 5/8 in. (16 mm)
- Mount the arm assembly/wall plate [01] directly onto the concrete surface
- Minimum solid concrete thickness: 203 mm (8 in.)
- Minimum concrete block size: 203 x 203 x 406 mm (8 x 8 x 16 in.)



Wall
Anchor

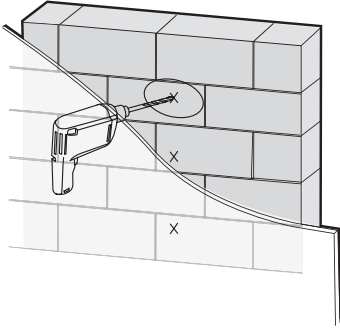
A3

4B-1

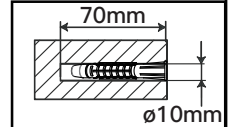


Position the arm template [05] at your desired height, level the template and mark the pilot hole locations. (The distance to assemble is 525mm/20.6 in.)

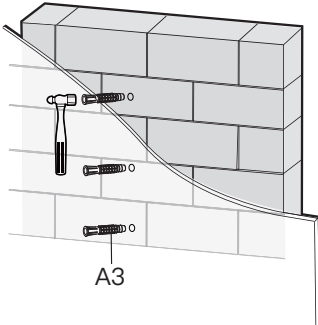
4B-2



Drill 6 pilot holes using a 10mm diameter drill bit. Make sure the depth is not less than 70mm. Never drill into the mortar between blocks.



4B-3

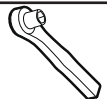


Use the hammer to knock anchors [A3] into the wall. Be sure the anchors [A3] are seated flush with the concrete surface.

4B-4



Install the arm assembly/wall plate using lag bolts [A1], washers [A2] and anchors [A3]. Tighten the lag bolts [A1] only until the washers [A2] are pulled firmly against the wall plate. **DO NOT** over-tighten the lag bolts [A1].

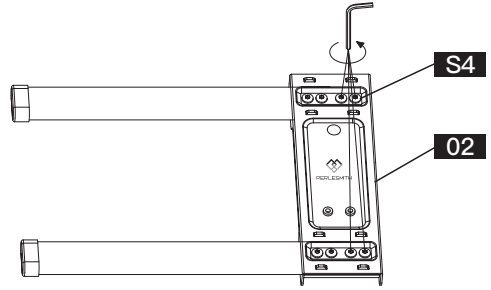


13mm
Socket Wrench
(Not included)

Step 5 Install arm extensions [02] and fasten with screws [S4] x4

5-1

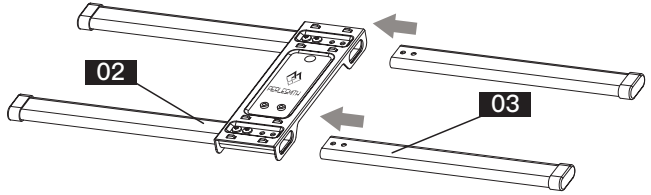
Remove the pre-assembled screws [S4] from the front support [02] and save them for the use of step 5-3.



Wrench 4mm

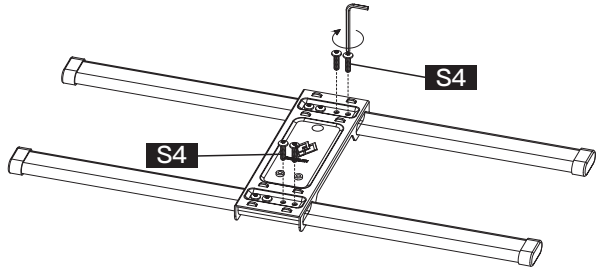
5-2

Insert the arm extensions [03] into the [02]



5-3

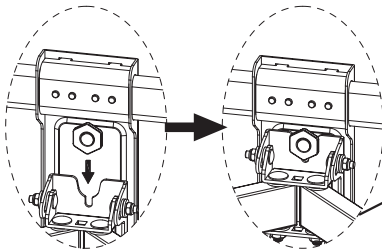
Fasten the screws [S4] x4 removed from the front support [02].



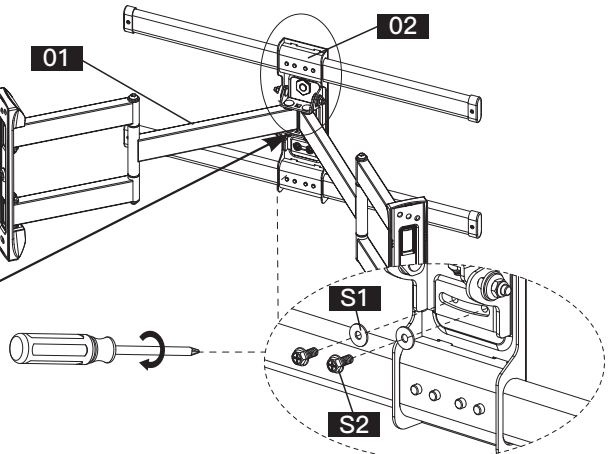
Wrench 4mm

5-4

Hang [01] onto [02]. Tighten preassembled screws [S1] and washers [S2] to secure [01] to [02].

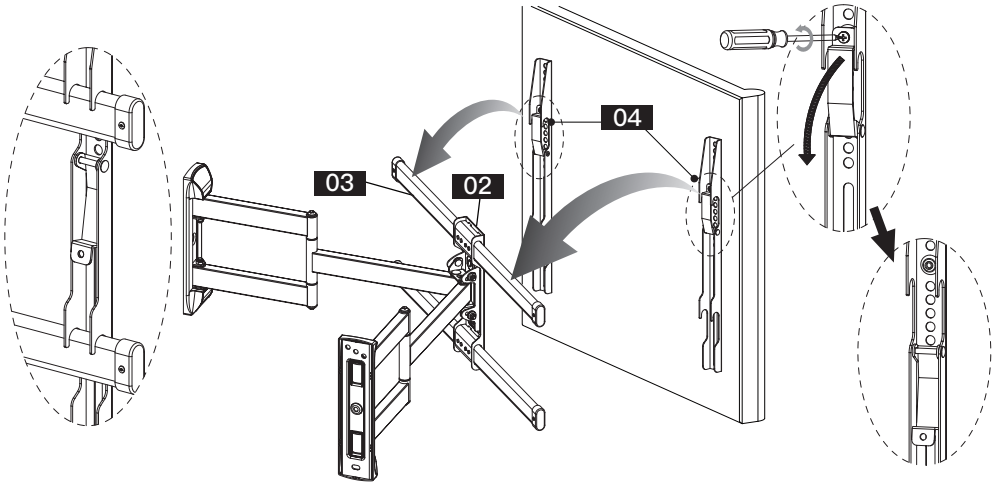


Make sure the big button in Front Support [02] hang on the hook of the Arm and Wall Plate assembly [01].

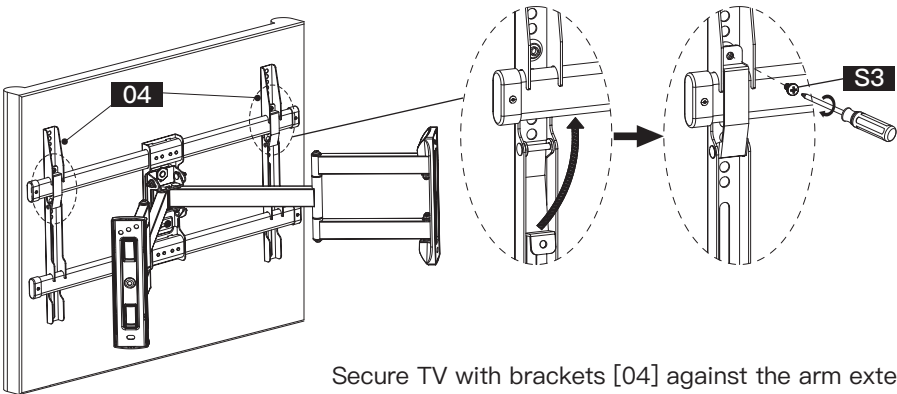


Step 6

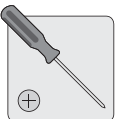
Hang TV with brackets [04] onto the arm extensions [02] and [03]



Step 7



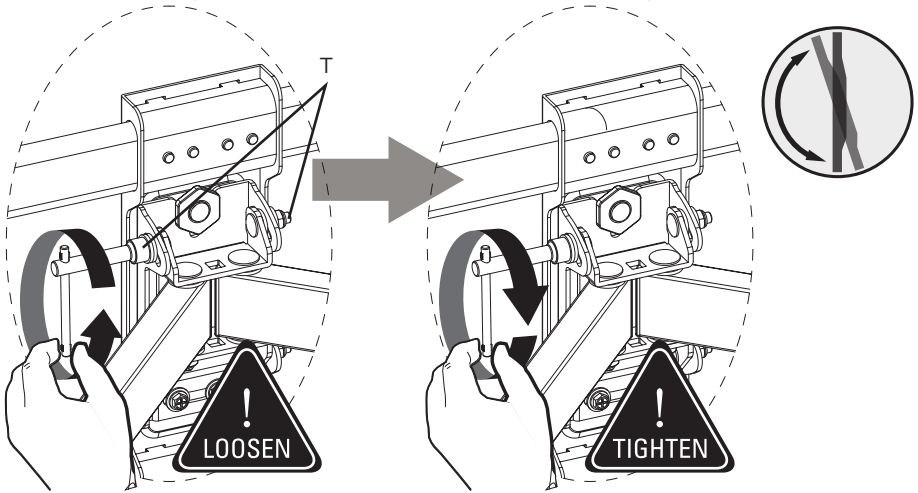
Secure TV with brackets [04] against the arm extensions [02] and [03] with the pre-assembled screws [S3]



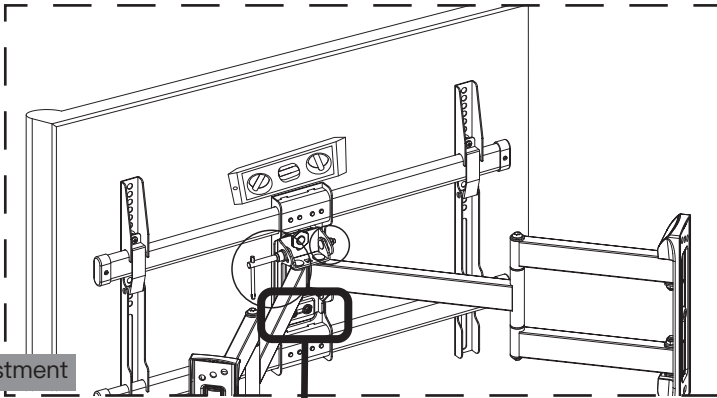
Adjustments

Tilt Adjustments

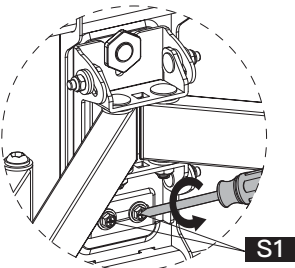
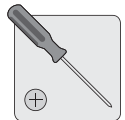
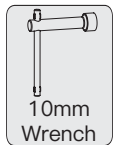
1. Loosen both tilt screws[T].
2. Adjust TV to your desired tilt angle.
3. Retighten both tilt screws[T] to fix the tilt angle.



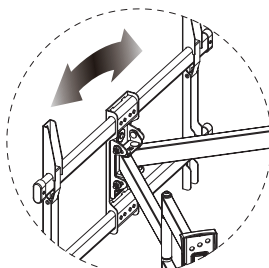
Level Adjustment



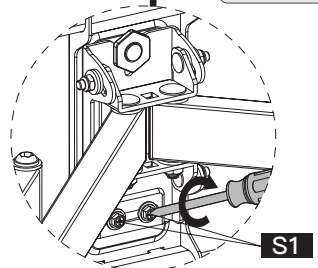
1. Loosen the two screws [S1] on the rear of the arm plate.
2. Level your TV.
3. Retighten both screws [S1] to hold TV in place.



Loosen 2 screws [S1]



Level the TV



Tighten 2 screws [S1]