



**UNINELL**  
HOME

# USER MANUAL

CORDLESS VACUUM

MODEL UV5



**SCAN TO VISIT SUPPORT PAGE**  
FREE ACTIVATE 2-YEAR WARRANTY  
EXCLUSIVE VIP AFTER-SALES SUPPORT

21-0047



EU001732523252917skbe

### VAT SPEED SL

Calle Antonio Salvador  
N99. 1, 28026 Madrid, Spain  
support@uninell.com



UK001732241291207hcjf

### EVATOST CONSULTING LTD

Office 101 32 Threadneedle street,  
London, United Kingdom, EC2R 8AY  
support@uninell.com



**FR**  
Cet appareil, ses cordons, et batterie se recyclent

À DÉPOSER EN MAGASIN

OU

À DÉPOSER EN DÉCHÈTERIE

Points de collecte sur [www.quefairedemesdechets.fr](http://www.quefairedemesdechets.fr)  
Privilégiez la réparation ou le don de votre appareil !



**FR**



Ce symbole apposé sur le produit signifie qu'il s'agit d'un appareil dont le traitement en tant que déchet est soumis à la réglementation relative aux déchets d'équipements électriques et électroniques (DEEE). Cet appareil ne peut donc en aucun cas être traité comme un déchet ménager, et doit faire l'objet d'une collecte spécifique à ce type de déchets. Des systèmes de reprise et de collecte sont mis à votre disposition par les collectivités locales (déchèterie) et les distributeurs. En orientant votre appareil en fin de vie vers sa filière de recyclage, vous contribuerez protéger l'environnement et empêcherez toute conséquence nuisible pour votre santé.



Shaanxi Hengwei Software Technology Co., Ltd.  
Room 801, Unit 2, Building 21, Yunxi, Yujin 3 Road, Yujincheng 8, Chanba Ecological Area, Xi'an, Shaanxi, China







# CONTENT

## **EN** **001**

<i>IMPORTANT SAFETY INSTRUCTIONS FOR HOUSEHOLD USE ONLY</i> .....	002
<i>LOCATION OF CONTROLS</i> .....	006
<i>STORAGE INSTRUCTIONS</i> .....	008
<i>BATTERY CHARGING</i> .....	010
<i>ASSEMBLY</i> .....	012
<i>CLEANING AND MAINTENANCE</i> .....	014
<i>CLEANING MOTORIZED NOZZLE</i> .....	016
<i>LITHIUM-ION BATTERY PACK MAINTENANCE &amp; REPLACEMENT</i> .....	017
<i>OPERATIONAL USE</i> .....	018
<i>PARAMETERS</i> .....	019
<i>TROUBLESHOOTING</i> .....	019



**support\_uk@uninell.com**

# IMPORTANT SAFETY INSTRUCTIONS FOR HOUSEHOLD USE ONLY

## READ CAREFULLY BEFORE USE SAVE THESE INSTRUCTIONS



### WARNING

To reduce risk of injury, fire, electrical shock, or property damage from improper use of this appliance, carefully follow these instructions. This unit contains electrical connections and moving parts that could present risk if instructions are not followed.

### PLEASE READ THESE INSTRUCTIONS AND WARNINGS CAREFULLY AND KEEP THEM FOR REFERENCE:

- There are **NO** serviceable parts. **DO NOT** attempt to make your own repairs.
- **DO NOT** use the hand vacuum on any liquids.
- **DO NOT** immerse any parts in water or other liquids.
- **DO NOT** use if vacuum, charger, or power cord is damaged.
- Inspect vacuum, charging dock and power cord for any damage before use to avoid fire, explosion, or injury.
- **DO NOT** use damaged vacuum or charging dock.
- **DO NOT** use outdoors or on wet surfaces. Use only on dry surfaces.
- If vacuum cleaner is not working, or has been dropped, damaged, left outdoors, or immersed in water, **DO NOT** use it.
- **DO NOT** handle charger or vacuum cleaner if hands are wet.
- **DO NOT** leave vacuum cleaner powered on when not in use or unattended.
- Keep the hand vacuum, power cord and charger away from heated surfaces.
- Turn off vacuum before connecting to the charging dock.

- Use only the charging stand and power supply provided with this product.
- Always use the charging dock on a flat and stable surface.
- **DO NOT** incinerate this appliance as lithium-ion battery may explode and cause a fire.
- **DO NOT** vacuum hard or sharp objects such as glass, nails, screws, or coins that could damage the vacuum cleaner.
- **DO NOT** vacuum sawdust, drywall dust, ashes, or embers.
- **DO NOT** vacuum objects that are smoking or burning, such as hot coals, cigarette or cigar butts, or matches.
- **DO NOT** vacuum toxic chemicals such as chlorine bleach, ammonia, or drain cleaner.
- **DO NOT** use the vacuum in an enclosed space where toxic or combustible vapors are present.
- **DO NOT** immerse vacuum cleaner in water or other liquids.
- Use extra care when cleaning on stairs.
- **DO NOT** stretch or strain the power cord. Keep wall mount and power cord away from traffic areas and where it will not be stepped on or tripped over. **DO NOT** run over cord with the vacuum or close a door on it.

- An extension cord is not recommended with this appliance.
- Unplug the charging cord when not in use for extended periods of time.
- Only use the power charger and removable lithium-ion battery pack provided with this product. Only replace the battery with one specified for this unit. Other types of batteries may not be compatible and may cause damage or injury.

## GENERAL CAUTIONS

- **DO NOT** carry by the cord or disconnect from an outlet improperly.
- Always grasp the plug at the power outlet and pull it straight out to disconnect.
- Use this product only as directed in this manual.
- Always turn off the vacuum cleaner before picking it up or carrying it, attaching, or detaching the charger, dust bin, filter, or accessory tools.
- **DO NOT** place any objects into openings or obstructing openings.
- **DO NOT** use if any opening is blocked; keep free of dust, lint, hair, or anything that could restrict airflow.

- **KEEP OUT OF REACH OF CHILDREN.** This vacuum cleaner is not a toy, and must not be played with, cleaned, or operated by children or persons with reduced physical or mental capabilities.
- **DO NOT** operate without the dust bin and filter installed.
- Keep the nozzle away from face, hair, fingers, or loose jewelry and clothing.
- Only use the attachments provided with this product.
- **DO NOT** charge at temperatures below 50°F (10°C) or above 104°F (40°C). Charging improperly or at temperatures outside of the specified range may damage the battery and increase the risk of fire.
- Store the appliance indoors. **DO NOT** use or store it below 37.4°F (3°C). The appliance must be at room temperature before operating it.
- Do not spray or apply any fragrances to the filter. Some fragrances contain chemicals that are flammable and can cause fire.

## DUST BIN/FILTERS/ACCESSORIES

### BEFORE USING:

- Make sure the filter is completely dry after routine cleaning.
- Make sure the dust bin and filter are reinstalled after routine maintenance.
- Keep accessories free of blockages.
- Clean filter periodically to keep the vacuum running efficiently every time.
- Always TURN OFF the machine before connecting or disconnecting the motorized brush roller or mini motorized brush roller.
- Use a dry cloth to wipe exterior of vacuum, harsh cleaners will damage the shell.

## BATTERY CAUTION

The Lithium-ion Battery included with this product is sealed and under normal circumstances does not pose any safety concerns. In the unlikely event that the battery pack becomes damaged causing liquid to leak, **DO NOT touch the liquid and observe the following precautions:**

- Skin contact can cause irritation. Wash with soap and water.
- Inhalation can cause respiratory irritation. Breathe fresh air and seek medical advice.
- Eye contact can cause irritation. Flush eyes with fresh water for 15 minutes. Seek medical attention.
- Wear gloves to dispose leaking battery following local ordinances and regulations.

## **BATTERY PROTECTION FEATURES**

Lithium-ion batteries deliver fade free power for their entire run time. Lithium-ion products will not gradually lose power due to decreasing battery charge. Instead, power from the battery pack will drop from full to zero once the full charge has been drained from the battery. Once this happens, recharging of the battery is required. It is not necessary to drain the battery pack completely before recharging.

Lithium-ion battery packs are designed with features that protect the lithium-ion cells and maximize battery life. If your vacuum stops during use, release the trigger to reset and resume operation. If the tool still does not work, the battery needs to be recharged.

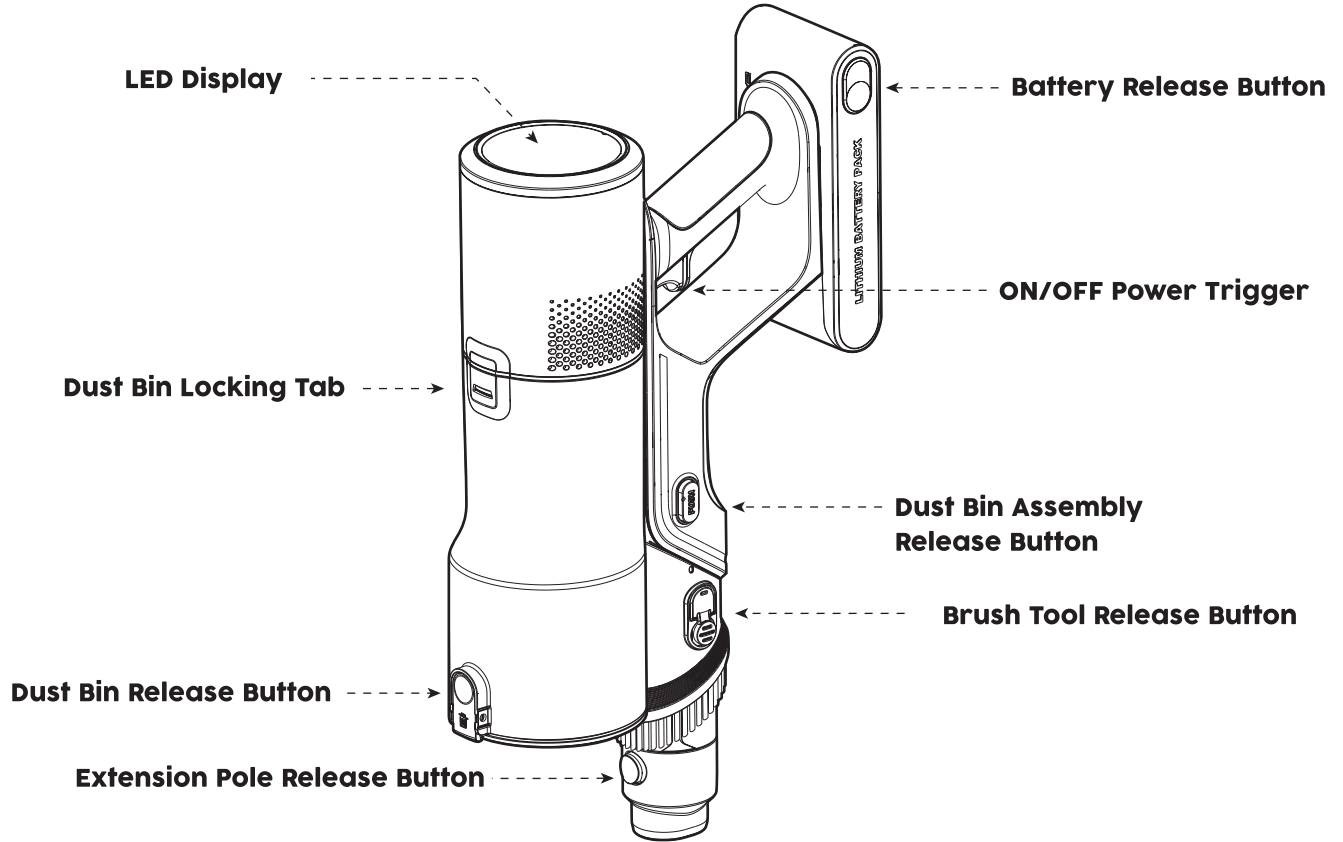
## **FCC STATEMENT**

This device complies with Part 15 of the FCC Rules. Operation is subject to the following two conditions: (1) This device may not cause harmful interference, and (2) This device must accept any interference received, including interference that may cause undesired operation.

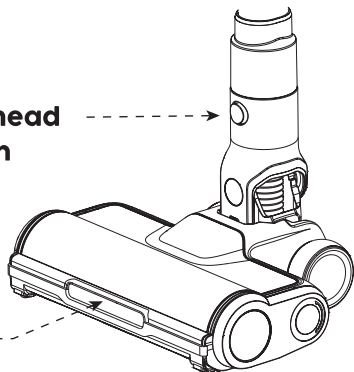
## **BATTERY REMOVAL & DISPOSAL**

This cordless rechargeable hand vacuum includes a Lithium-Ion Battery. You can not dispose of this product with household waste. It must be disposed of safely at a hazardous waste collection site, recycling facility or an electronic retailer that recycles. Check your local or state laws for proper disposal procedures.

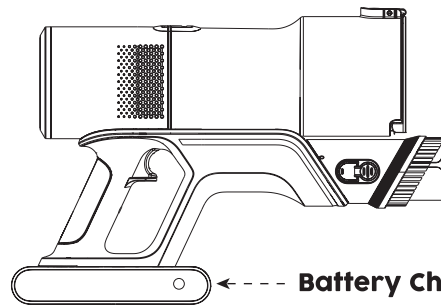
# LOCATION OF CONTROLS



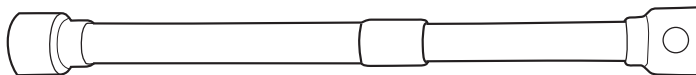
**Turbo Brush-head  
Release Button**



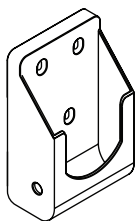
**Motorized Turbo  
Brush-head with  
LED Lights**



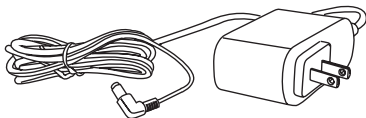
**Battery Charging Port**



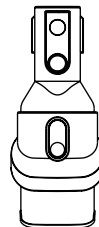
**Adjustable Tube**



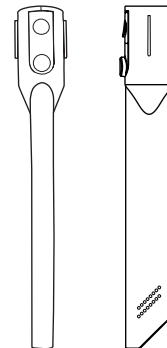
**Wall Mount Battery  
Pack Holder**  
*[includes screws]*



**AC Power Cable**  
*[plug in wall mount or  
directly on battery]*



**Combination Nozzle**



**Long Crevice Tool**

# STORAGE INSTRUCTIONS

## 01

Find a wall space location close to an electrical outlet without any obstructions such as windows or shelving.

## 02

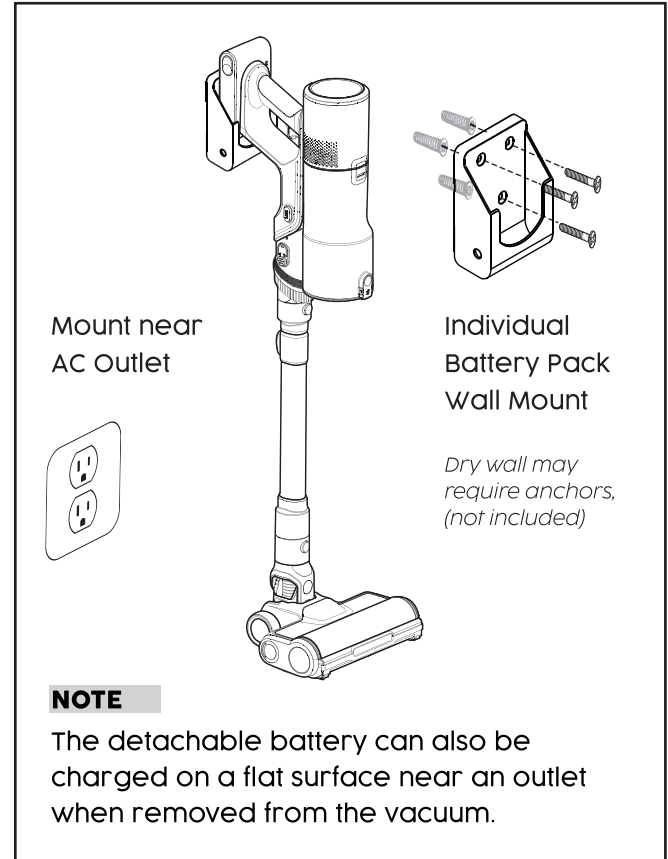
With the vacuum connected to the Motorized Brush Roller and Extension Rod in the collapsed position the assembled vacuum against the wall where it will be stored and mark the holes of the wall mount bracket at the right height to store the vacuum in the upright position.

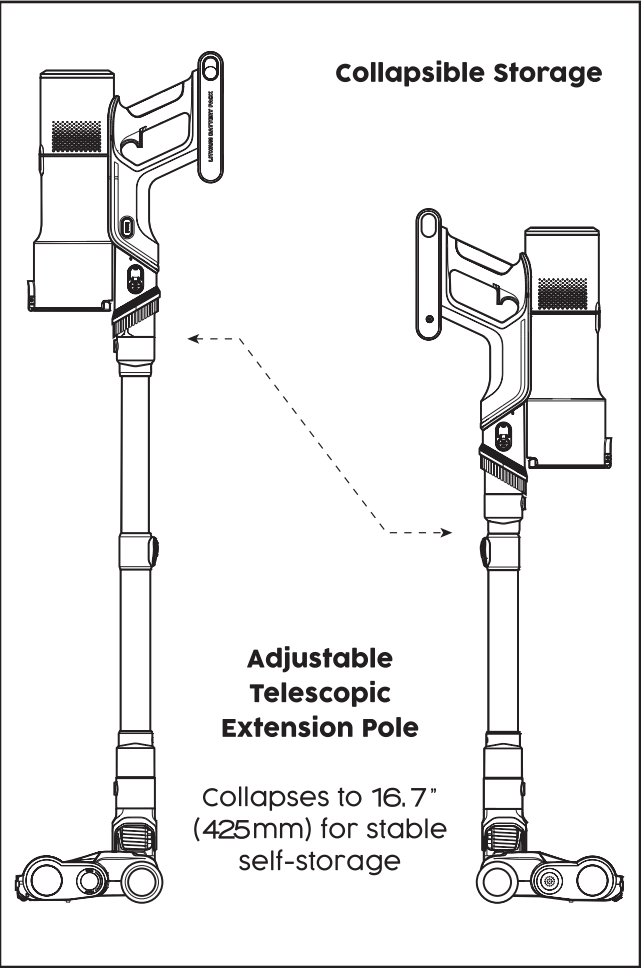
## 03

Use a Phillips screwdriver (not included) to install the wall mount bracket with the screws provided. Make sure to mark mounting holes using the wall mounting holes on bracket.

## 04

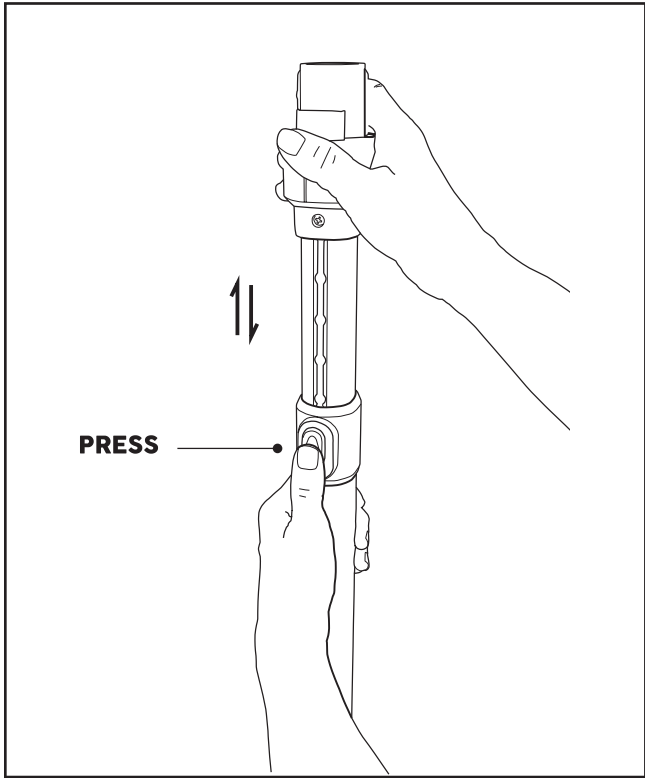
Set the assembled stick vacuum in the middle of the wall-mounted storage bracket and plug in charging adapter into the side with the battery charging port installed into a nearby power outlet.





## COLLAPSIBLE EXTENSION ROD

Press the extension pole button to collapse the extension rod to its shortest position for better stability if storing below the Wall Mount Bracket.

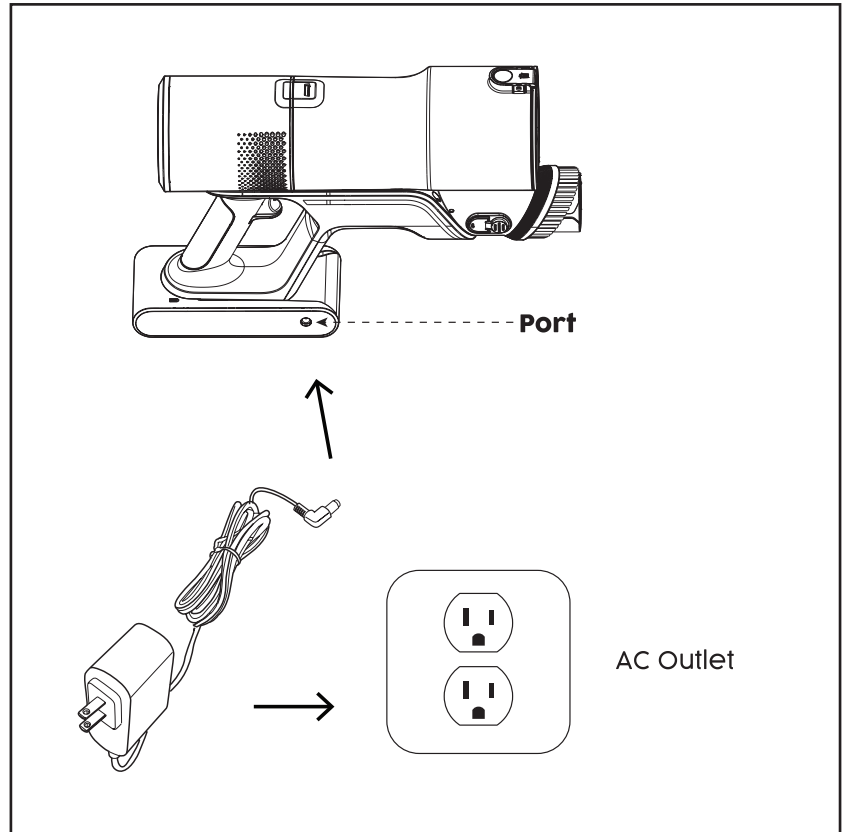


# BATTERY CHARGING

Before first use the detachable lithium-ion battery **must be fully charged**. It can be charged either installed or uninstalled by connecting the power cord to the recharging port and a standard electrical outlet.

## DIRECT CONNECTION

If wall-mount is not used, place hand vacuum on a flat, stable surface. Connect the power cord directly to charging port located on the battery.

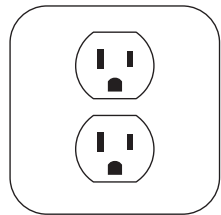


## WALL MOUNT STORAGE STATION

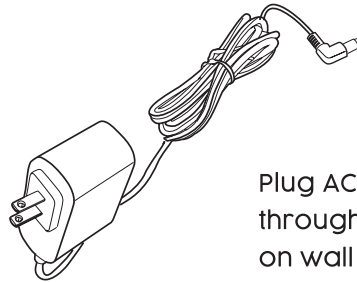
If using the wall-mount , follow instructions for installation. Plug in assembled product while stored in wall mount. Unplug when not in use for extended periods of time.

### NOTE

After initial charging, allow battery pack up to 4-5 hours to fully recharge.



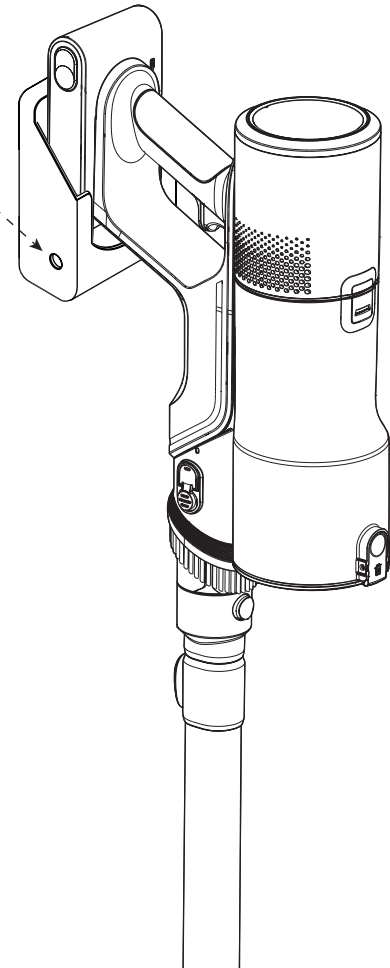
AC Outlet



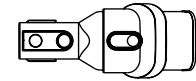
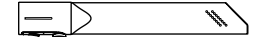
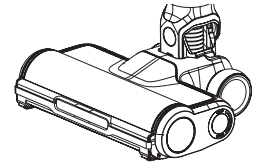
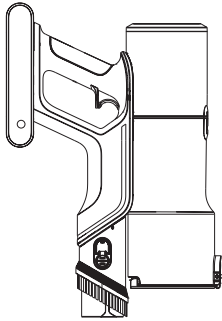
Plug AC adapter through port hole on wall mount.

Wall Mount

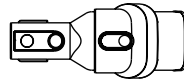
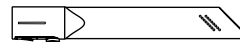
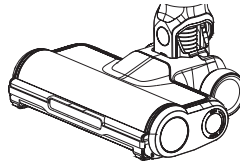
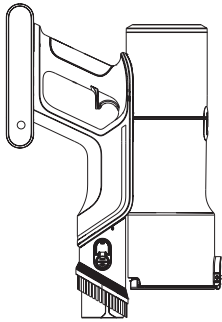
Port



# ASSEMBLY



## FLOOR TO CEILING

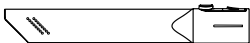


- Attach the wider **Motorized Roller Brush with LED Headlights** for hard floors, area rugs and carpeting.
- Attach the **Long Crevice Nozzle** for corners and tight spots.
- Attach the **Wide Nozzle Brush** for gentle cleaning of curtains, draperies, and blinds.

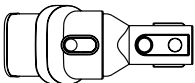
## REPLACE MULTI-FUNCTIONAL ACCESSORIES



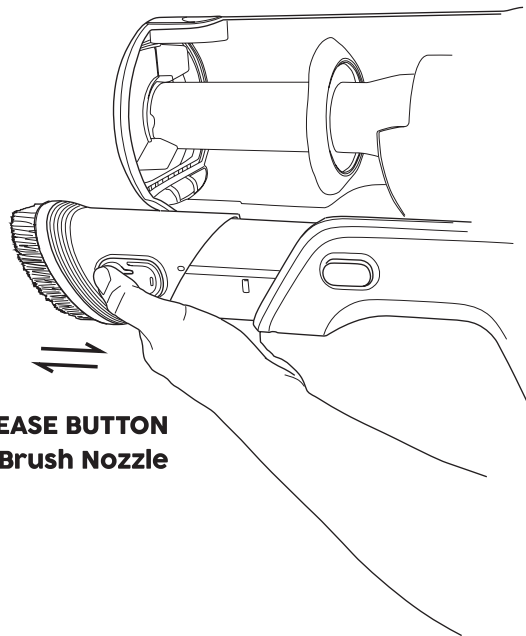
Convert the stick vacuum to a handheld vacuum by removing the **Adjustable Tube**. Choose the right accessory tool for the job.



Attach the **Long Crevice Nozzle** for deep cleaning between car seats, sofa cushions, and highchair.



Attach the **Combination Nozzle** for bedding, fabrics, and windowsills.



Press **RELEASE BUTTON** and extend **Brush Nozzle**

Use the **Built-in Brush Tool** for dressers, shelves, and keyboards.

# CLEANING AND MAINTENANCE

## EMPTYING DUST BIN

**O1**

Press DUST BIN ASSEMBLY RELEASE BUTTON **A** and remove Dust Bin **B** from Motor housing.

**O2**

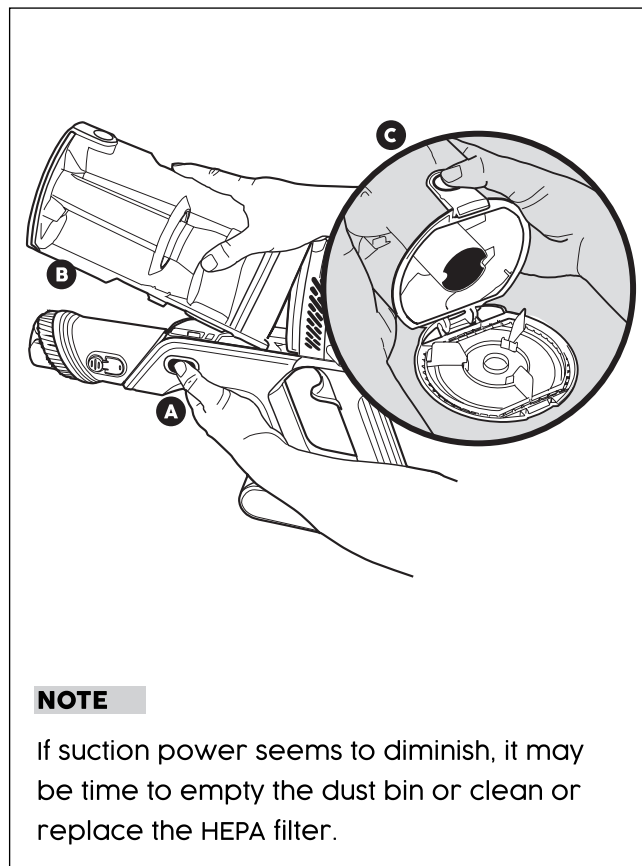
Hold the hand vacuum over a trash container.

**O3**

Then, press the DUST BIN RELEASE BUTTON **C** to open bin. Carefully empty contents into a trash container. *[If necessary, clean Multi-Stage Filter Assembly].*

**O4**

To re-install dust bin on motor housing, align Dust Bin ASSEMBLY TAB **F** and press down towards handle until you hear a **"click"** to secure dust bin.



# CLEANING THE DUST BIN FILTER ASSEMBLY

01

Press DUST BIN ASSEMBLY RELEASE BUTTON **A** and remove Dust Bin **B** from Motor housing.

02

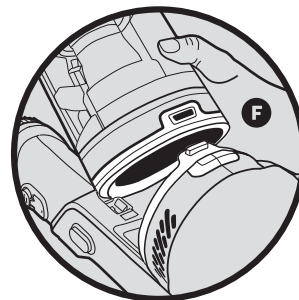
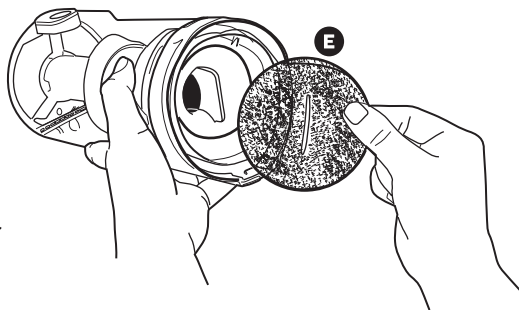
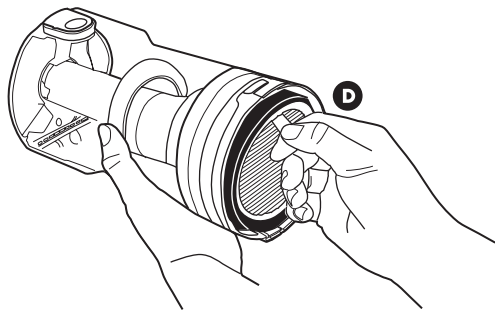
Remove the HEPA filter from the filter assembly by pulling the TAB **D**. Then remove the foam filter **E** [Clean the HEPA filter, foam filter and assembly by rinsing with water—no soap or detergent].

## IMPORTANT

Make sure Multi-Stage Filter Assembly has the foam filter in place and HEPA filter is inserted securely before re-attaching assembly to motor housing.

## WARNING

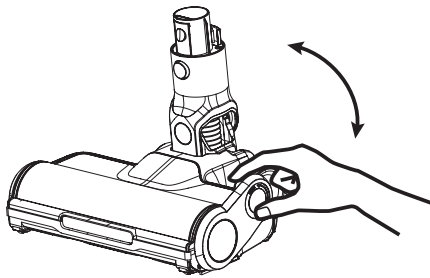
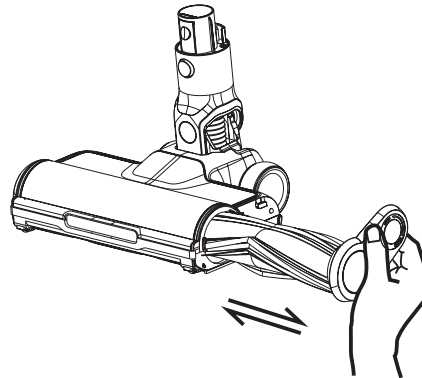
Do not operate vacuum cleaner with damp or wet filters or without filter in place.



# CLEANING MOTORIZED NOZZLE

It is recommended to regularly clean hair and debris from the roller brush in the floor head. Prolonged neglect may lead to reduced battery life.

Rotate the knob on the side of the floor head and pull outward to remove the roller brush. The roller brush is washable. Ensure it is completely dry before reassembly.

**01****02****03**

# LITHIUM-ION BATTERY PACK MAINTENANCE & REPLACEMENT

## FOR BATTERY PACK STORAGE LONGER THAN 30 DAYS:

- Store the battery packs where the temperature is below 80° F and away from moisture.
- Store the battery packs in a 30%-50% charged condition.
- Every six months of storage, charge the packs as normal.

## REMOVING/INSTALLING OF BATTERY:

01

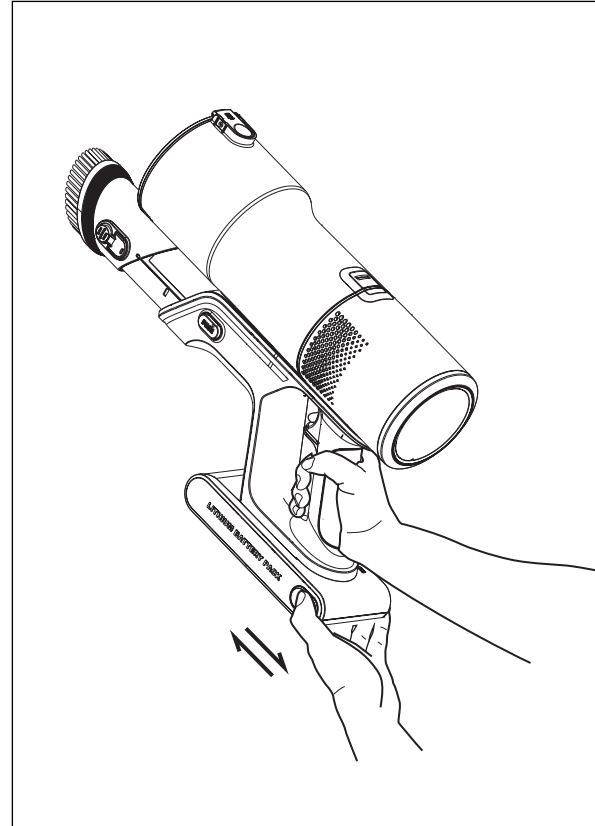
Hold handle grip firmly and with your other hand press the BATTERY RELEASE BUTTON to unlock the battery.

02

While pressing button pull the battery away from motor housing to detach the battery.

03

To RE-INSTALL the battery, align grooves on battery with rails on handle. Push until you hear a "Click".



# OPERATIONAL USE

Press the **Power Trigger** to start and stop cleaning. It automatically defaults to Barefloor Mode  
Use the **Mode Selection Button** to choose from 3 different Modes: Barefloor Mode, Carpet Mode, Turbo Mode.

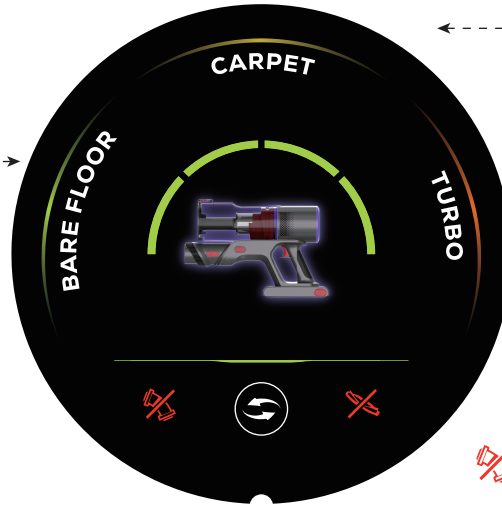
## LED DISPLAY

### BARE FLOOR

for larger rooms and surface areas



### STATUS OF BATTERY INDICATOR



Mode Selection Button



Motor Blockage



Roller Brush Tangle

### CARPET

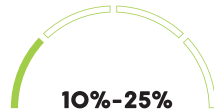
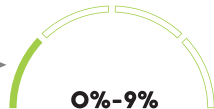
for smaller rooms and surface areas or an entire vehicle interior

### TURBO

TURBO for quick pick-ups or deep cleaning

## Current battery level




Blink



# PARAMETERS

Rated Voltage	29.6V $\equiv$
Battery Capacity	65.12 Wh
Adapter Rated Input	100-240V 50/60HZ
Adapter Rated Output	36V $\equiv$ 0.5A

# TROUBLESHOOTING

LIGHTS ON SCREEN ARE FLASHING	SOLUTION	
	<ul style="list-style-type: none"> <li>• Blink 3 times</li> </ul>	<ul style="list-style-type: none"> <li>• Clean the dustbin and replace the filter.</li> <li>• Check if there are objects blocking the floor head and telescopic tube.</li> </ul>
	<ul style="list-style-type: none"> <li>• Blink 5 times</li> </ul>	<ul style="list-style-type: none"> <li>• The roller brush is blocked, clean the roller brush manually.</li> </ul>
	<ul style="list-style-type: none"> <li>• Blink 3 times</li> <li>• Blink 5 times</li> <li>• Blink 8 times</li> <li>• Blink 12 times</li> </ul>	<ul style="list-style-type: none"> <li>• The vacuum cleaner is overheating. Please wait for one hour before using it again.</li> <li>• Contact customer support.</li> </ul>

OBSERVATION	POSSIBLE CAUSE	SOLUTION
<b>No power or vacuum does not charge</b>	<ul style="list-style-type: none"> <li>• Power adapter not plugged into wall outlet securely</li> <li>• Electric wall outlet does not have power</li> <li>• Unit not placed into stand correctly</li> </ul>	<ul style="list-style-type: none"> <li>• Make sure the unit's power cable is securely plugged into the wall outlet</li> <li>• Plug the unit into a different outlet</li> <li>• Make sure charging receptacles on unit touch charging receptacles on charging stand</li> </ul>
<b>Hand Vacuum has diminished suction</b>	<ul style="list-style-type: none"> <li>• Check if the dust bin is full</li> <li>• The air inflow may be blocked</li> <li>• Recharge Unit</li> </ul>	<ul style="list-style-type: none"> <li>• Turn unit off and unplug the appliance from the wall outlet and empty the dust bin</li> <li>• Unplug and remove the nozzle. Check the extension pipe, remove any blockage</li> <li>• Make sure unit is fully charged</li> </ul>
<b>Dust is coming out of the vacuum cleaner</b>	<ul style="list-style-type: none"> <li>• Check if the dust bin is full</li> <li>• Check that the dust bin is properly fitted to the main body</li> <li>• Check if the dust bin filter is in the dust bin</li> </ul>	<ul style="list-style-type: none"> <li>• Empty and clean dust bin</li> <li>• Refit the dust bin to the main body</li> <li>• Install the filter in the dust bin</li> </ul>
<b>Battery no longer charges</b>	<ul style="list-style-type: none"> <li>• The removable rechargeable battery has a long use life but will eventually lose it ability to recharge</li> </ul>	<ul style="list-style-type: none"> <li>• Contact customer support</li> </ul>