

# R

A

B

C

D

E

F

G

H

I

J

### 技术要求

1. 成品尺寸：142 \* 142mm
2. 所有尺寸公差均为±0.5mm;
3. 彩色印刷

						封面105g 双铜纸 内页80g 双胶纸 (16P)			中山市力科 电器有限公司				
												快捷安装手册 (FOGATTI) KRVG65+65000btu 分段房车热水器机身	
标记	处数	分区	更改文件号	签字	日期				阶段标记		重量	比例	PP0000D-0002-049
设计				审核			S	A	B				
校对				批准							1.05.06.4564		
工艺													
标准化				日期			投影		共	张	第	页	

1

2

3

4

5

6

7

**KINGRVER**



**KEY POINTS FOR  
SUCCESSFUL INSTALLATION**

# WIRE CONNECTION

## **Wired controller wiring:**

Connect the wall controller with the 2 blue wires on the appliance. Polarity does not matter, the wires can be connected to either blue wire.

**Make sure to use the original digital controller that comes with the water heater; otherwise, EC errors will occur.**

## **Power supply wiring:**

Connect the power supply wires (red and black wires on rear of water heater) to the appropriate nominal 12V DC power source.

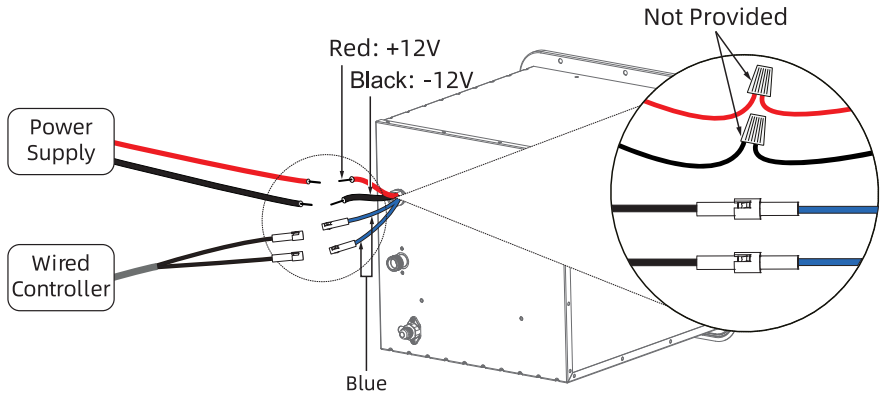
The RED wire is positive (+) and the BLACK wire is negative (-).

Power supply errors will cause damage to the controller.



**Warning**

The 12V DC power supply must be connected. If the power supply is not connected correctly, the water heater will not start and the controller will be damaged, which may result in serious injury or death.



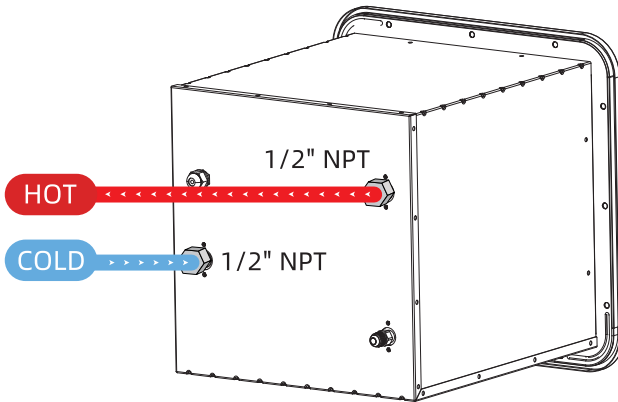
# WATER CONNECTION

Connect both HOT and COLD water lines to the appropriate 1/2" NPT fittings.

Check whether Washers/Teflon Tapes are correctly used in the water pipe fittings, and make sure there are no water leakage.



- If the cold water and hot water are connected in reverse, the water heater will not start and cannot produce hot water, which may damage the equipment.
- Hard water can easily cause blocking of the water flow sensor.



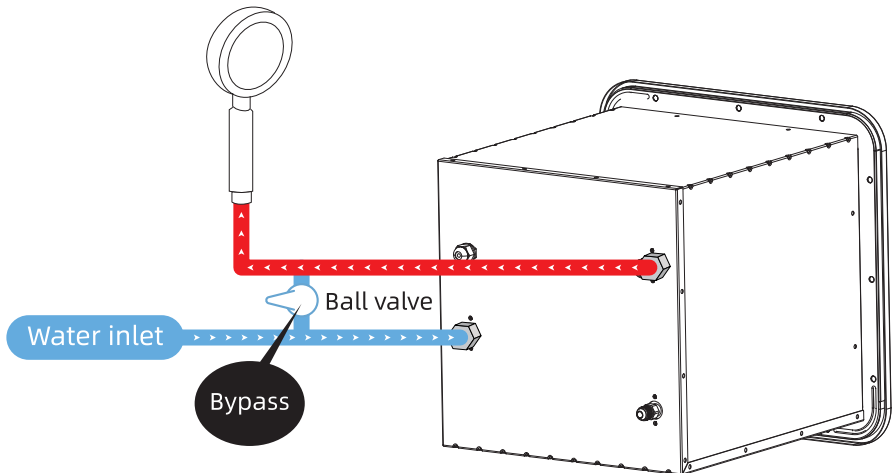
# BYPASS TIPS

## Possible problems in bypass waterway installation:

1. The product cannot be started;
2. The water temperature is not high enough to reach the set temperature.

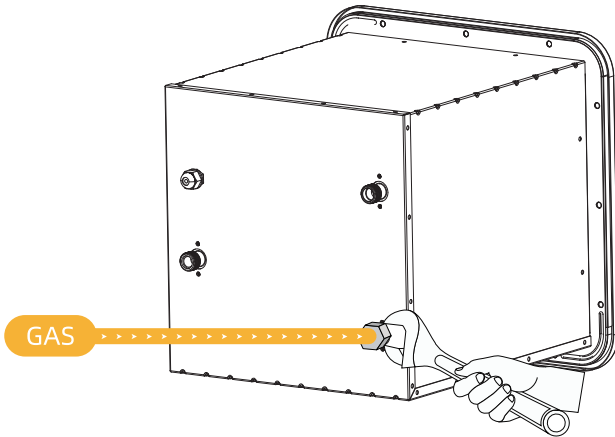
## If there is a similar bypass water installation situation, you can choose the following solution:

1. Adjust the bypass water ball valve to reduce or close the water flow;
2. Remove the bypass waterway pipeline.



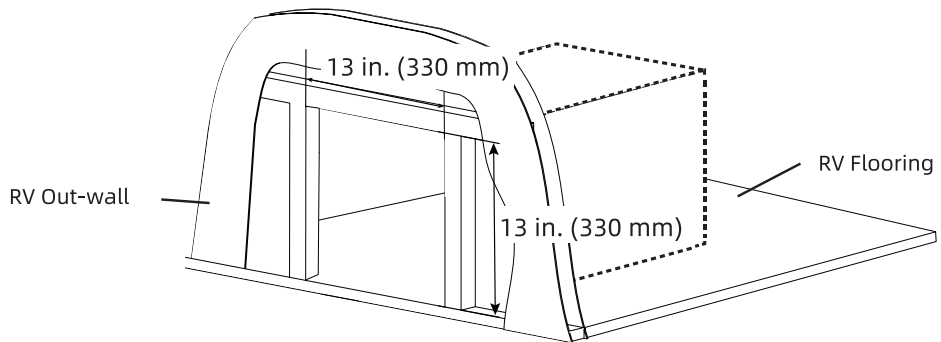
## GAS CONNECTION

- Check whether the exhaust vent is clogged or blocked, clean up if anything.
- Check whether the gas pressure meets the requirements stated in the specifications.
- Connect the gas service line to the 5/8" LP gas flared fitting on the back of the appliance. Use two wrenches to tighten the compression fitting. Avoid damaging the unit by over tightening.
- Check whether the gas pipe fittings are fully sealed, make sure there are no gas leaks.



## PREPARING FOR INSTALLATION

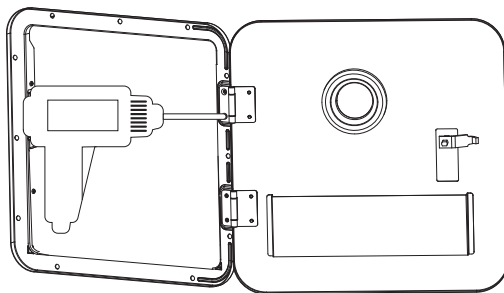
- Determine your existing cut-out is a 13 "x13".
- The opening for the water heater should be right angle corners.
- Make sure that the front edge of the opening is surrounded by a solid frame to firmly anchor the water heater.



## PREPARING FOR INSTALLATION

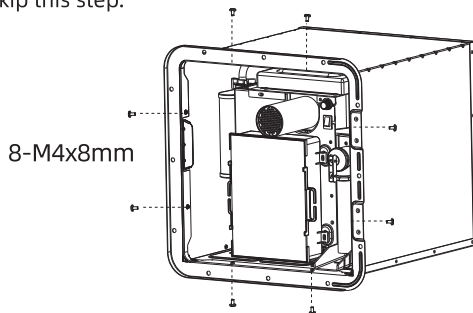
The door of the RV water heater is fixed to the mounting flange by a latch. Remove the door from the flange, separate the components.

ⓘ Some models do not include the door or door frame and must be purchased separately.



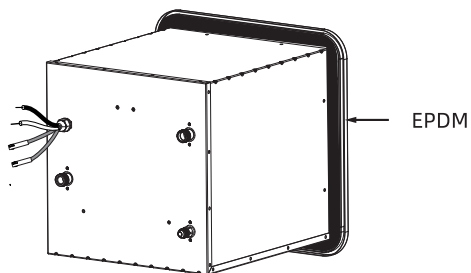
Attach the flange to the box with 8 screws (M4x8mm).

ⓘ For models with door, skip this step.

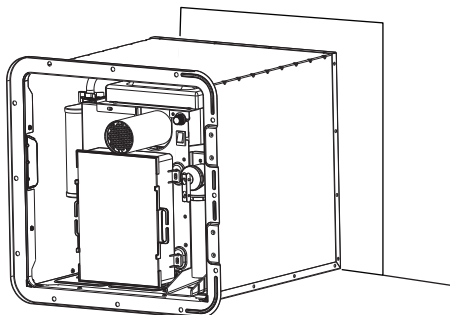


## PLACE THE WATER HEATER

The water heater frame cover is pasted with waterproof sealing strip EPDM.

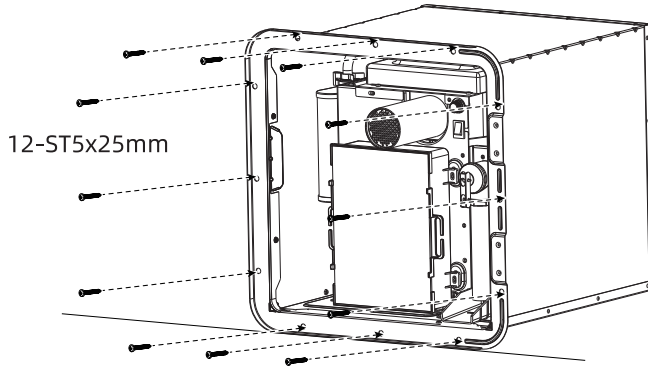


Position the water heater and decorative frame carefully into the frame opening , evenly space the flange to the exterior wall of the RV.



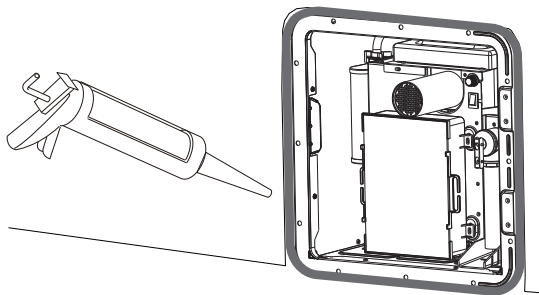
## FIX WITH SCREW

- The water heater frame cover is pasted with waterproof sealing strip EPDM.
- Press this product and decorative frame into the opened hole.
- Secure the water heater to the car body with 12 screws (St5x25mm)
- Air and water should be isolated from the openings to prevent entry into the interior of the RV.

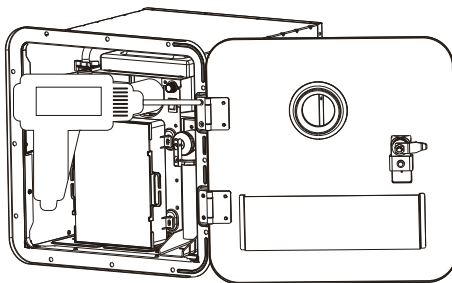


## INSTALL THE WATER HEATER DOOR

Apply a liberal amount of sealant around the door frame to fill any gaps to the RV wall. Wipe any excess sealant. Install the water heater door.

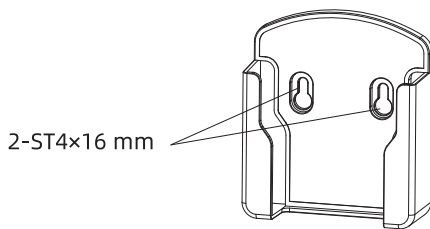


Install the water heater door.



## PLACE THE WIRED CONTROLLER

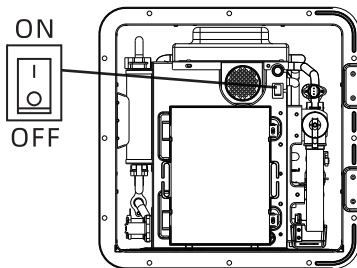
Choose a convenient location to place the wired controller base. Fix the bottom controller holder with the two screws ST4×16 mm provided and place the controller into the controller bracket.



## TRY AND ENJOY IT



After the installation of the gas water heater, please set the power switch to "ON" to ensure the normal start of the gas water heater.

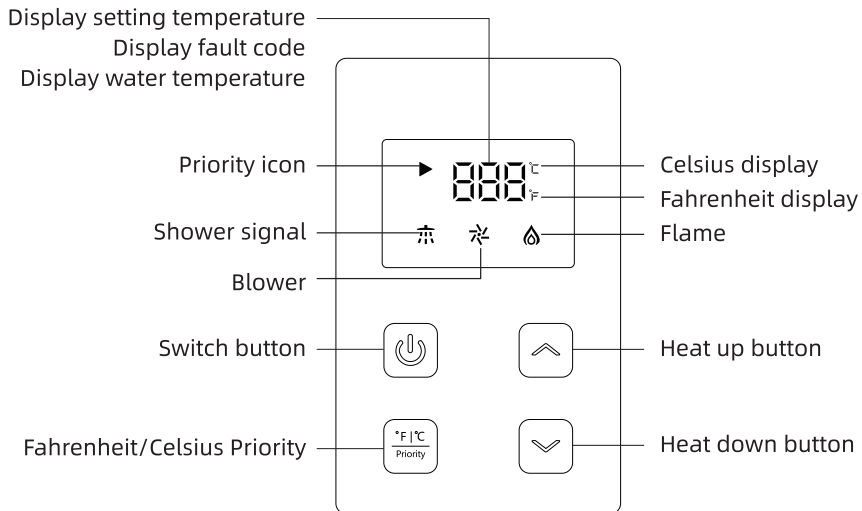


- The user shall confirm whether the water heater is installed correctly before the initial use, carefully check that the connections are properly connected and leak free.
- For the first time using of the water heater, it is normal that it may take 2~3 times of turning the water heater on and off before igniting successfully, as the air residing in the gas pipes needs to be evacuated so that the gas pipes can then be filled with propane gas.



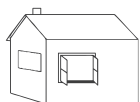
# STEPS TO SETTING WATER TEMPERATURE

1. The setting range of the outlet water temperature of this machine is 95 °F - 123 °F (35 °C - 51 °C); Outlet water temperature is designed not to exceed 123 °F (51 °C).
2. Each time you press the " ^ " key, the temperature will increase by 1 °C. See following Fahrenheit and Celsius comparison table for reference.
3. Each time you press the " v " key, the temperature will reduce by 1 °C. See following Fahrenheit and Celsius comparison table for reference.

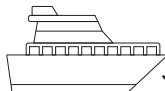


## DETERMINE INSTALLATION LOCATION

RV instant gas water heater is forbidden from indoor installation. Please only install into RVs supported by independent power source.



indoor



Houseboat



RV



## TOOLS AND MATERIALS NEEDED

### ● Parts included

- Tankless Water Heater
- User Manual
- Wired Controller Base
- Assembly Kit
- Wired Controller

### ● Tools and Materials needed (Not included)

- Screw Driver
- Wrench
- Scissor
- Hammer Drill with Concrete Bits
- Pliers
- Steel tape
- Door and Frame
- Gas pressure Regulator
- Thermostatic Mixing Valve
- 12V DC Power
- Soapy Water
- Pipe Fittings
- Electrical Adhesive Tape
- Washers
- Threaded Tee Fitting (Middle 3/4" both ends 1/2")

**Thank you very much for choosing KINGRVER!**

If you have any questions, please feel free to contact at 1-689-312-9082.

We are glad to support you!