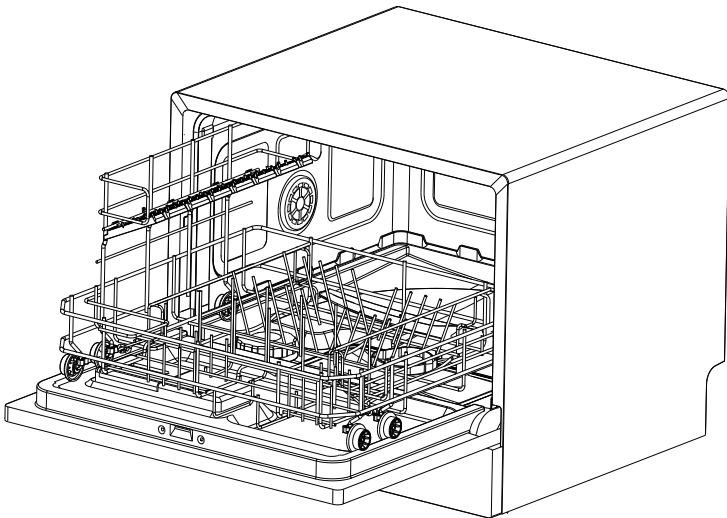




# DISHWASHER INSTRUCTION MANUAL



MX40

Every appliance have passed the water test in factory.

It is normal if you found some water leave in appliance. Please feel free to use it. Use the rapid cleaning program 2-3 times before first household use.



# CATALOGUE

IMPORTANT SAFEGUARDS .....	01
PACKAGE LIST & SPECIFICATIONS .....	02
OVERVIEW .....	03
INSTALLATION INSTRUCTIONS .....	04
OPERATING INSTRUCTIONS .....	08
DETERGENT AND TABLEWARE .....	10
MAINTENANCE AND CLEANING .....	12
MAINTENANCE GUIDE .....	14
WARRANTY .....	17



# IMPORTANT SAFEGUARDS

- Read the user manual carefully before using the appliance. Contact customer service if necessary.
- Do not disassemble the appliance by yourself.
- Plug the appliance into a grounded socket. A grounded socket can reduce the current at most when there is a accidental electricity leakage which it can protect the user at most.
- Do not use the appliance during thunderstorm.
- The drain pipe should not be hung more than 40 cm over the appliance. Doing so may cause drain pipe blockage, water or electricity leakage.
- Check if the appliance is installed well before running the appliance, please check if the water pipes and power cord is connected properly.
- Tableware with sharp end should be placed downward to avoid hurting users when taking them out.
- Do not operate the appliance if its power cord is damaged, please contact customer service for help.
- Do not keep the door of appliance open in case of it falling due to the imbalance.
- Do not cover the wall socket with any foreign objects. Do not connect the appliance to a outer timer, plug it into a multi-slot socket or a socket that is not grounded. Doing so will invalidate the warranty and may cause damage or injuries.
- Dishwasher detergent and polishing detergent should be placed beyond children's reach due to the danger of children playing or accidentally eating these acidic/alkaline detergent.
- Do not run the appliance in a humid environment in case of triggering electricity leakage or getting rusty.
- Tableware may be hot after washing in the appliance, please remove them around 30 minutes after procedure ends.
- The appliance runs automatically. Do not inject or pour water into the appliance during working in case of overflowing and causing malfunctions.
- Do not move or tilt the appliance during working in case of triggering water or electricity leakage.
- Do not open the door of dishwasher in case hot steam in it may get you injured. For putting in or taking out tableware, please press stop button, open a gap to let out steam and wait for 10 seconds.
- Children should not play with the dishwasher. Keep them away from the appliance especially when the door of it is open.
- Unplug the plug from wall socket and disconnect the water pipes for not using in a long time.

- Do not clean the dishwasher with corrosive detergent in case of damaging it.
- Do not use detergents other than exclusive ones for dishwasher.
- Cut the ribbon on the power cord and the water pipe with flat scissors when unpacking the package in case of hurting the pipes and cords.
- Use warm/cold water as water source. Do not use water that temperature is over 122°F.
- Protective plastic bags should be kept from children and cut them into pieces for dispose.

## PACKAGE LIST & SPECIFICATIONS

### What's in the package

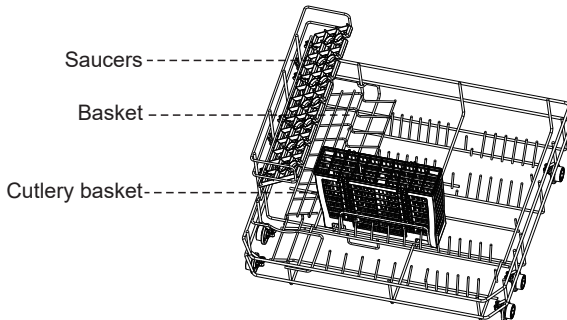
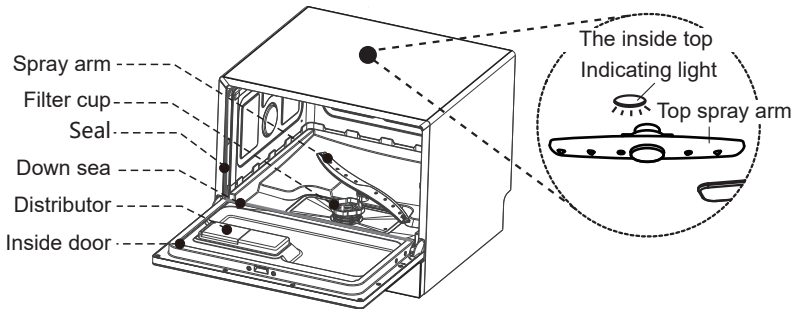
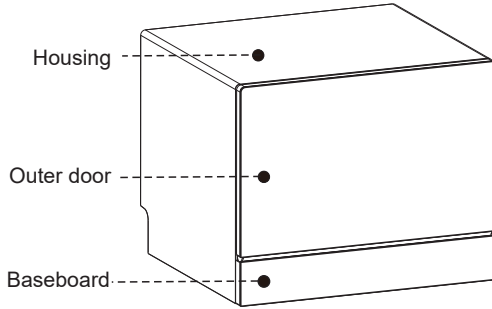
Name	Quantity
Dishwasher	1
Bowl basket	1
Cutlery basket	1
Injection pipe	1

Name	Quantity
Ferrule	1
User manual	1
Drain pipe	1
Screws	2

### Specifications

Dimension	550×450×500 mm
Water pressure	0.04~1.0MPa(Injecting pressure)
Rated voltage	AC 120V
Current frequency	60Hz
Rated power	870W
Waterproof level	IPX1
Capacity	6 sets of tableware

# OVERVIEW

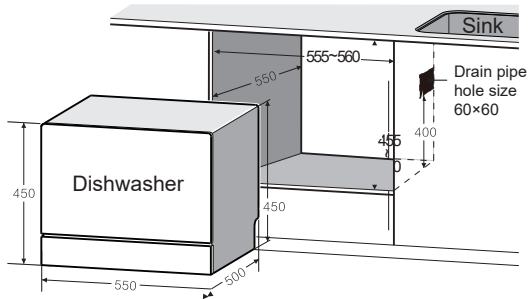


# INSTALLATION INSTRUCTIONS

## 1. The dishwasher can be placed on a flat table or insert into a cabinet

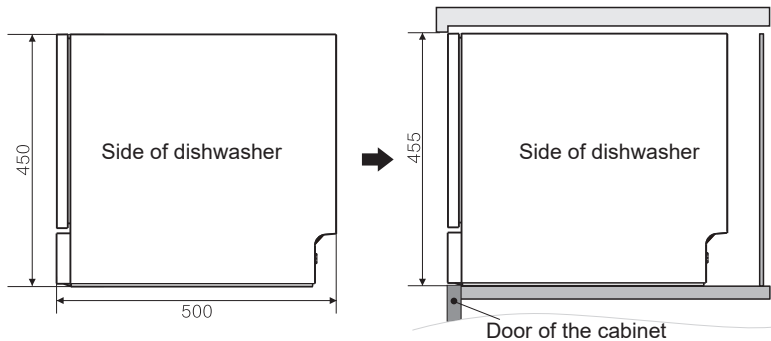
### 1.1 In a cabinet:

Dimension diagram(Unit: mm)



#### Attention:

- a. The hole holds drain pipe is up to the position of sewage system.
- b. The material of cabinet should be heat-resistant and moisture-proof
- c. The shade on the side of cabinet is the recommended area for the hole holding the drain pie. The hole size should be 60×60 which is 400 up from the bottom of the cabinet.



### 1.2 Free placement on the table; leave a space for opening the door

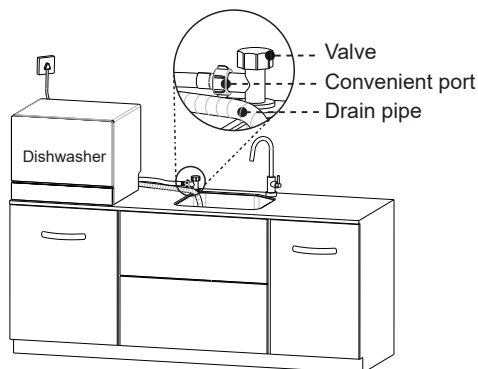
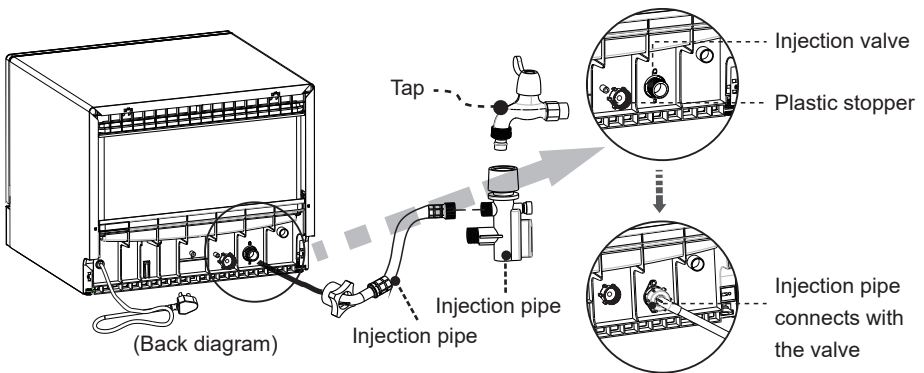
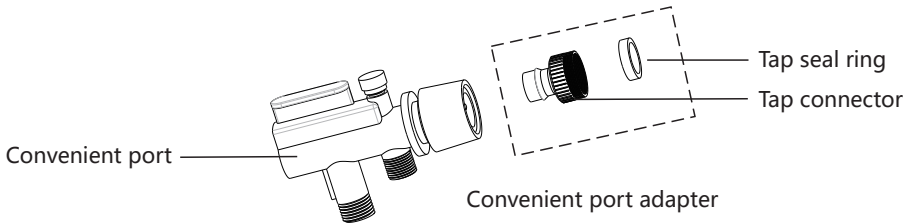


Figure 1(Injection pipe)

## 2.1 Injection pipe installation

The injection pipe connects to the injection valve of dishwasher and the corner valve of pipe or tap. The injection pipe is supplied with the dishwasher. Attention: Please use the supplied new injection pipe to connect with tap and valve. The old and damaged pipe may cause water leakage.



**Attention:** When injecting water from the tap, please put the plastic stopper on the suction port to avoid water leakage.

## 2.2 Drain pipe installation

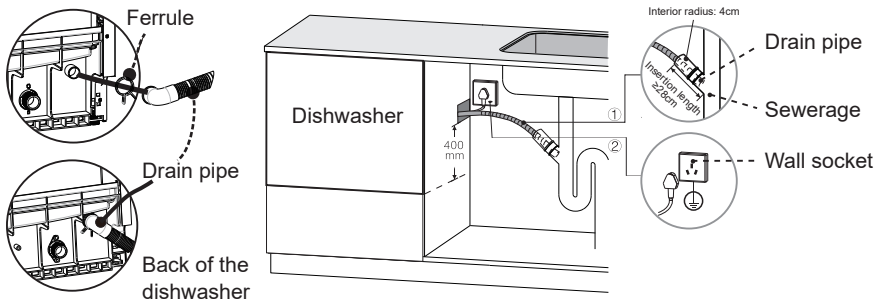
### Insertion installation

2.2.1 Put the ferrule on the drain pipe, the pipe onto correspond port and lock the drain pipe with ferrule.

2.2.2 When insert the dishwasher into cabinet, put the drain pipe through the hole on the wall of cabinet.

2.2.3 For insertion installation, the top of drain pipe should be placed above the water detector port.

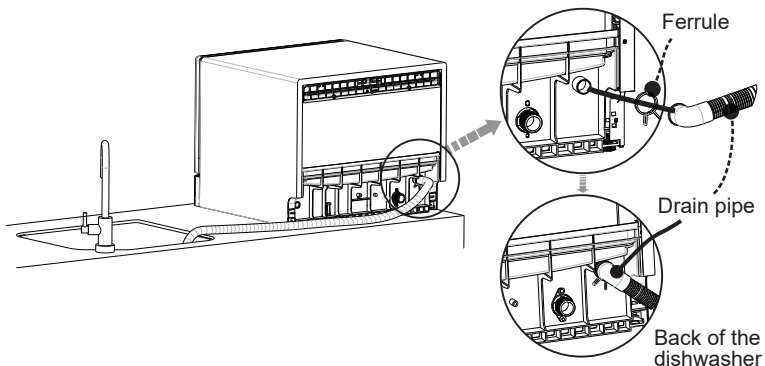
2.2.4 Insert the drain pipe into the port of the water detector.



2.2.5 Do not twist the drain pipe.

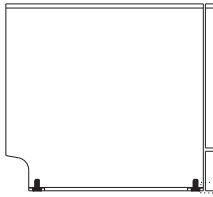
2.2.6 When extending the drain pipe, the extended part of the it should not be over 5 meters in case of affecting the washing results.

### Placing the dishwasher on the table

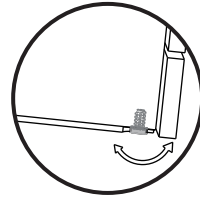


### 3. Dishwasher fixation and placement

Installation diagram



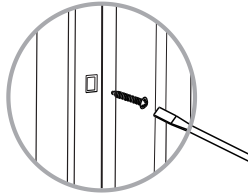
Ventilator at the bottom  
(550×50 mm)



- 3.1 Place the dishwasher levelly in case of triggering overflowing and electricity leakage. The ventilator showed in the figure should not be placed on the rug.
- 3.2 Adjust the balance of the appliance by rotating the adjustable screw. (Rotate clockwise to elevate and counterclockwise to lower)
- 3.3 Fix the appliance with screws on both side after inserting it into the cabinet and leveling.



- ① Remove the lid on both sides of the appliance for putting screws on them.



- ② Put a screw through the fixing hole on the sides of appliance and fix it onto plates of the cabinet.



- ③ Put lids back on the screws.

Check following conditions after installation:

1. Whether the dishwasher is placed levelly and fixed well.
2. Whether the power cord is connected and plugged into grounded socket.
3. Whether the drain and injection pipe is connected well.
4. Whether protective materials and accessories inside are removed completely.

**Kindly reminder:** 

1. Keep the user manual and accessories for further use.
2. Every appliance have passed the water test in factory. It is normal if you found some water leave in appliance. Please feel free to use it. Use the rapid cleaning program 2-3 times before first household use.

# OPERATING INSTRUCTIONS

## 1. Control panel use

### 1.1 Icons on the Control panel

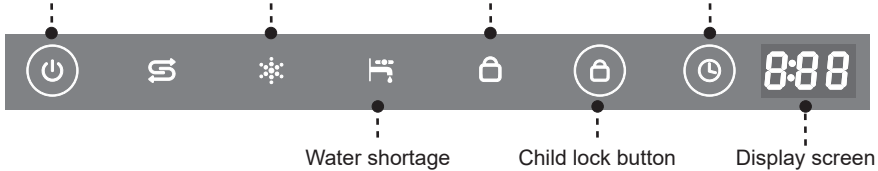
Left icons:

Power On/Off

Rinse aid shortage

Child lock

Delay timer



Right icons:

Usual

Glass

Program



**! Attention:** The power indicator light shines when the appliance is plugged in a socket at normal circumstances.

### 1.2 Start a program

Close the door and press Power on icon for 1 second.



Press Program to select desired program.

Correspond icon flickering shows the dishwasher starts working.



Press Start/Pause to start the program.

**! Attention:** When you want to change the program during dishwasher operating, press the On/Off to shut down the dishwasher and restart it, then to select new program. After the washing procedure ends, the screen will display "FAN" which indicates the fan motor in the appliance is still working.

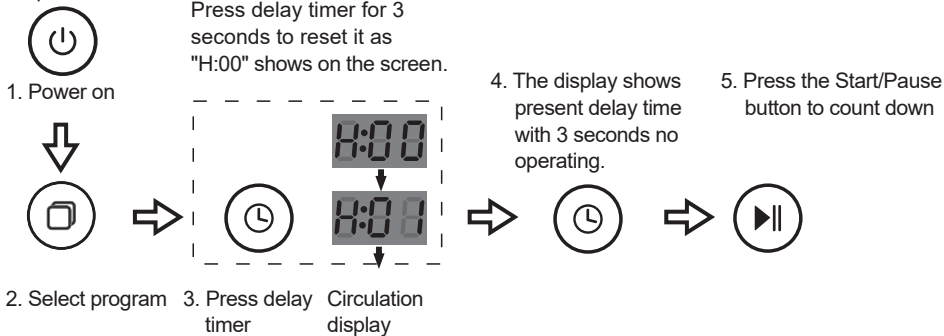
### 1.3 Child lock

In order to prevent children from touching the program button which affects the normal working procedure, you can press the Child lock button for 3 seconds to turn on this function. When the Lock icon shines on the control panel, rest of the program buttons will be locked until pressing the Child lock button for 3 seconds again to unlock them.






## 1.4 Delay start

Select this program for a delay start.

Steps:



## 1.5 Program reference

Program	Applicable scene	Dishwasher detergent powder(g)	Run time (Hour: Minute)
 (Eco)	Suitable for washing tableware with medium amount of greasy dirt	11.5+ 11.5	Around 2:25
 (Usual)	Suitable for washing tableware in daily life with less run time	23	Around 1:10
 (Intense)	Suitable for washing tableware with heavy greasy dirt	23	Around 2:10
 (Glass)	Suitable for washing tableware with smooth surface such as glassware	23	Around 1:40
 (Rapid)	Suitable for rinsing tableware with little dirt and grease/ tableware unused for a long time.	None	Around 0:25

Tips: To get better washing results when using the Eco program, it is recommended that put ½ detergent powder directly into the interior of dishwasher and ½ of it into the contributor.

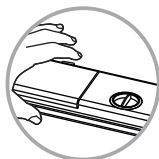
# DETERGENT AND TABLEWARE

## 1. Detergent powder/ pod (Dishwasher exclusive)

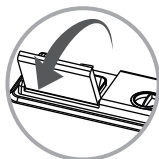
### 1.1. Function and amount

Use exclusive detergent powder, pod for dishwasher for removing grease and food residues on the tableware. The amount of detergent depends on the actual conditions of tableware. If there are many sets of tableware in the dishwasher and too much dirt on them, the recommended amount of detergent powder is 23 gram.

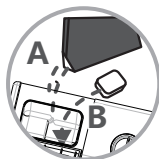
### 1.2 Detergent use



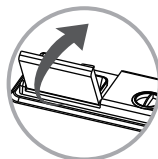
1. Press the button of powder box on the contributor



2. Open the detergent box



3. Put certain amount of detergent powder/ pod into the box



4. Close the detergent box

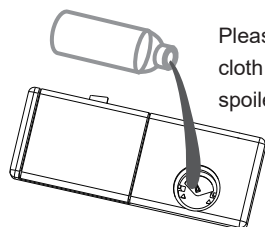
Tips: The appliance may emit a sound when the door of detergent box opens and touches the interior door of the dishwasher during working. It is the common procedure of the appliance and please don't worry about it.

## 2. Rinse aid

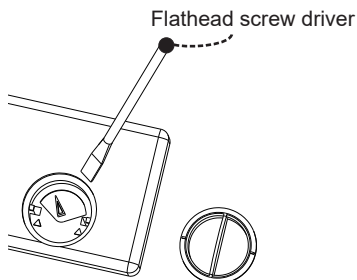
### 2.1 Rinse aid use

The rinse aid must be put into the dishwasher for the first use and the amount of it should be around 100 ml. The rinse aid can help dry tableware after washing and make them shine as new. It is consumable which requires adding when the indicator light is on.

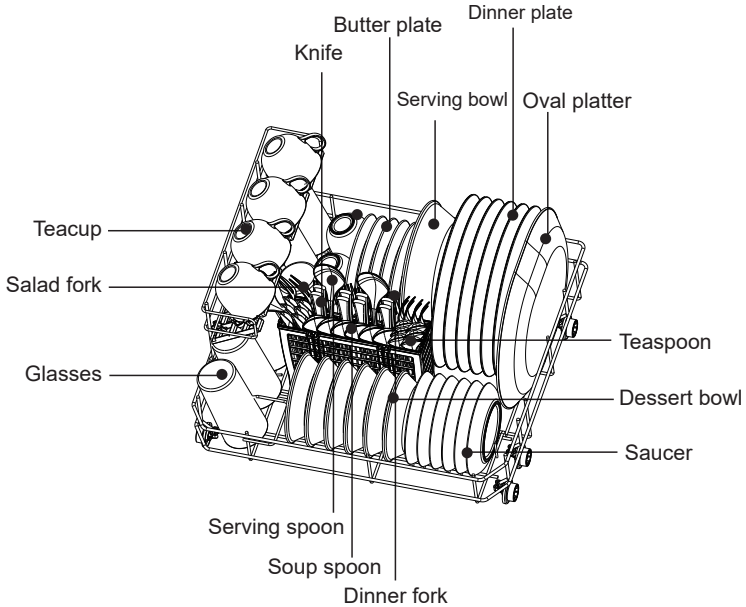
Adjust the gear according to the amount of tableware. Higher the gear is, the more amount of rinse aid will be put into the dishwasher. Switch down the gear and run the rapid if high gear results in an extra smooth coating on the tableware.



Please clean with dry cloth if it is accidentally spoiled out



### 3. Bowl basket use



**Attention:** Do not pile up tableware in case of edges are stacked up to result in blocking water from spray arm.

### 4. Types of tableware

Applicable for: ceramic tableware, glass tableware, stainless steel tableware. Tableware which are often used in daily life can all be washed by the dishwasher. But different types of detergent and different temperature may have various influence on tableware made of different materials.

Other types of tableware:

- Precious metal, color ceramic glaze and aluminum tableware: The coating of these types of tableware may become abrasive after cleaning in the dishwasher.
- Wooden tableware: Easy to deform and get broken at high temperature.
- Plastic tableware: Please refer to the instructions of tableware in case of plastic tableware may get deformation easily after heating.
- Cleaning cloth: May cause the dishwasher malfunction.
- Metal tableware: May get rusty after washing in the dishwasher.

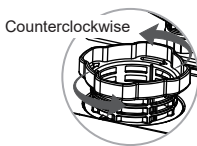
## 5. Tableware placement

- Large residues such as bones, fishbone and vegetable leaves, etc on the tableware should be removed before putting tableware into the dishwasher.
- Do not pile up the tableware, place them one by one into each groove.
- Tableware should be tilted against the basket with dirty spot sides at the bottom which is easy for washing by water. Do not place tableware horizontally or upside down in case of collecting water on them.
- Please stick spoons and forks into the spoon basket.
- Tableware are not supposed to be placed outside of the basket and enter the spinning area of spray arm. In that case, they may block the spray arm which affects the washing result.
- Do not put extremely tiny tableware into the basket in case it may slip out of the basket and be drained with the dirty water out of the dishwasher.
- When you putting the bowl basket back into the dishwasher, make sure sharp end of tableware do not damage the door seal.
- Make sure not to touch or clean the coating of bowl basket with abrasive tool or sharp ends of objects. In case that bowl basket may get rusty after its coating is damaged.
- Knives and other tableware with sharp ends should be placed horizontally or sharp end put downward to avoid getting injuries when taking them out of the dishwasher.
- After putting the bowl basket into the dishwasher, please rotate the spray arm to check if they can work normally.

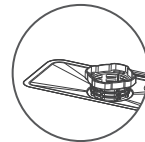
# MAINTENANCE AND CLEANING

It is recommended that check the interior of dishwasher and clean it regularly. Use some citric-acid detergent with wet cloth to clean crevices such as corners under the door seal. For cleaning interior of dishwasher, please use dishwasher detergent and refer to the detail instructions of detergent. Do not use washing powder to replace dishwasher exclusive detergent.

## 1. Remove the filter cup



1. Rotate the filter cup counterclockwise to remove the filter cup.

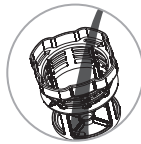


2. Remove the stainless steel filter at the same time.

## 2. Rinse



1. Rinse the filter under tap after removing the dust on it. It is recommended that use soft brush for cleaning instead of steel or stainless brush in case of damaging the stainless part of the system.



2. Rinse the filter cup and filter with water.



2. After rinsing the filter cup, put it back to the dishwasher and turn it clockwise to fix it until the triangle sign on the filter cup matches the sign on the stainless filter.

## 3. Spray arm cleaning



1. After removing the bowl basket, pull the down spray arm up to get rid of the buckle.



2. Check if there is blockage on the water outlet of spray arms. If so, please use sharp tool to unblock it and try to rinse the outlet with water.

# MAINTENANCE GUIDE

## ● Error code

Error code will be displayed in the screen when the dishwasher malfunctions.

Error code	Possible cause	Potential solutions
E01	Thermistor short circuit	Contact customer service for help
E02	Thermistor short circuit	Contact customer service for help
E03	The appliance can't heat the water	Do not place the tableware leveled in case they may collect water resulting in the lack of water which fail heating in the dishwasher.
E04	Water suction malfunctions	Contact customer service for help
E05	Overflow	<ol style="list-style-type: none"> <li>1. Lean the appliance for 30°~45° to empty water in its bottom and restart.</li> <li>2. Check if the drain hose is hung too high.</li> <li>3. Check if the drain pipe is blocked, twisted or placed under heavy objects.</li> <li>4. Check if the drain pipe malfunctions.</li> <li>5. Contact customer service for help.</li> </ol>
E06	Abnormal heating	Contact customer service for help
E07	Abnormal suction	<ol style="list-style-type: none"> <li>1. The tap is not open completely.</li> <li>2. The water flow is slow/ water pressure is low.</li> <li>3. Being started multiple times under circumstance of lacking water.</li> <li>4. Contact customer service for help.</li> </ol>

## ● Troubleshooting

Problem	Possible cause	Potential solutions
Washing powder/ pods remain in the dishwasher	1. The water outlet of spray arm is blocked so that detergent powder can not get rinsed thoroughly.	Unblock outlet on spray arm and run the dishwasher on Rapid program to rinse foam on tableware.
	2. Too much detergent powder was put or the size of washing pod is not small enough.	Run the Rapid program to rinse tableware with water. Put recommended quantity of detergent into dishwasher according to the manual at next time.
	3. Bad detergent powder/ pod was used.	Run the Rapid program to rinse tableware with water. Please check if detergent expires. Or try with other brands of detergent.
	4. Washing powder/ pod was not put into correct position.	Refer to the "Detergent adding method".
Some water and condensation remains in the inside of the dishwasher	This is normal which won't affect the result.	
Foam remains in the dishwasher	Too much detergent powder was put or the size of washing pod is not small enough.	When there is little foam left in the dishwasher, open the door to make it disappear naturally. When there is too much foam in the dishwasher, please clean it with tools manually. Run any programs after removing foam manually for 3 minutes, repeat this process until all foam disappears.

<b>Problem</b>	<b>Possible cause</b>	<b>Potential solutions</b>
Tableware is still wet	1. Tableware is not placed correctly as they may be stacked up.	Refer to the "Tableware placement introductions".
	2. The washing process has not done yet.	Wait for the process to complete.
	3. The program it ran was Rapid/ Fruit.	There is no drying procedure in these two programs.
	4. Did not choose the Preserve function.	To restart the dishwasher and run the Preserve program.
The dishwasher makes "woo~woo" sound when it is plugged while "FAN" icon shows in the screen	The air circulation system is working.	It is a normal procedure of dishwasher.
The power button does not work	1. The button does not work while all of the display icons are not on. The possible reason is that the appliance is not plugged in or the electricity goes out.	Please plug the appliance into the grounded , functional socket and make sure its voltage corresponds to the mains.
	2. There is water or oil on the button or hands.	Clean the button or hand and keep them dry.
	3. The Child lock function may be on.	Unlock the child lock.
	4. Press the button too short.	Press the button for 1 second to start.
Buttons are not functioning except On/Off button	1. The door is open.	Make sure the door is shut.
	2. Oil or water is on the finger or button.	Keep your hands and buttons dry and clean.
	3. The Child lock function may be on.	Unlock the child lock.
	4. PCB of door lock malfunctions	Contact customer service.
The Faucet icon shines when using the manual injection.	1. The tap is not open or the water stops running.	Make sure the tap is on with running water.
	2. The flow meter malfunctions.	Contact customer service for help.
	3. The injecting valve malfunctions.	Contact customer service for help.
The Faucet icon shines when using the automatic injection.	1. There is no water in the water tank or the pipe is not immersed in the water.	Add water into the container and make sure the pipe is immersed in the water.
	2. The filter of suction pipe is blocked.	Clean the filter of the suction pipe.
	3. The flow meter malfunctions.	Contact customer service for help.
It takes much longer to inject automatically.	It is normal phenomenon of injecting automatically.	
Impact sounds emit during operating	Inappropriate placement of tableware causing the spray arm hitting with tableware.	Take out tableware and put it back to correct position according to the "Tableware placement introductions".

<b>Problem</b>	<b>Possible cause</b>	<b>Potential solutions</b>
Tableware is not cleaned thoroughly	1. Inappropriate placement of tableware causes them piled up.	Refer to "Tableware placement introductions".
	2. The selected program is incorrect.	Select appropriate program.
	3. The detergent is not exclusive dishwasher detergent or the amount of detergent is too little.	Use the dishwasher detergent and put correct amount of detergent according to the reference.
	4. The filter is not installed well hence food residues get into the filtering system.	Remove the spray arm and check the filter. Install the filter well and pull the ring firmly.
	5. The outlet of spray arm is blocked.	Unblock the water outlet of spray arm.
	6. The spray arm is stuck.	Check if tableware is placed inappropriate and block the spray arms.
	7. Food residues dried on the tableware which are hard to remove.	Immerse tableware in the water for a while before putting them into dishwasher.
	8. There may be power outage during the washing procedure.	Restart the washing program.
	9. Some sort of food is hard to clean such as steamed egg.	It would be better to clean tableware with steel wool before putting them into the dishwasher.
There is much water left in the appliance when not in use	1. The drain pipe is hung too high.	Please lower the drain pipe.
	2. The drain pipe is twisted, blocked or put under heavy objects.	Unblock and stretch the pipe, remove heavy objects on it.
	3. The water level in the container exceeds the platform holds the dishwasher.	The water level in the container should not exceed the platform holding the dishwasher.
	4. The drain pump malfunctions.	Contact customer service for help.
	5. The injecting valve malfunctions.	Contact customer service for help.
Overflow happens when adding more water into the water tank, but the "Full" icon is not on.	1. The PCB main panel malfunctions.	Contact customer service for help.
	2. The water level detection switch malfunctions.	Contact customer service for help.
	3. The floater is stuck.	Open the water tank and adjust the floater.
Water reduces in the water tank while the "Full" icon stays on.	The floater gets stuck.	Open the water tank and adjust the floater.

# WARRANTY

## CUSTOMER CARE

The 1-year Limited Warranty is valid for products purchased from our MOOSOO only, starting from the date of the original retail purchase. We will provide customer service for any defects in quality or materials under normal, non-commercial use.

1. According to the requirements outlined in this instruction manual, the warranty is subject to the following conditions and exclusions.
2. This warranty provides, at no extra cost to you all labor and parts necessary to ensure your machine is in proper operating condition during the warranty period.
3. We provide the repair or replacement of your MOOSOO appliance if your MOOSOO appliance is found to be defective due to faulty materials, workmanship function within 1 year of purchase or delivery. ( If any part is no longer available or out of manufacture, we will replace it with a functional replacement part).

## WHAT IS NOT COVERED

1. Under your MOOSOO guarantee, MOOSOO shall not be liable for costs of repair or replacement of a product incurred as a result of: Accidental damage, faults caused by negligent use or care, misuse, neglect, careless operation or handling of the MOOSOO appliance which is not in accordance with this MOOSOO Operation Manual.
2. Machines purchased from an unauthorized dealer.
3. Use of parts and accessories other than those produced or recommended by MOOSOO.
4. Repairs or alterations carried out by unauthorized parties or agents.
5. Use of the machine other than for normal domestic purpose, e.g. for commercial or rental purposes.
6. Reduction in battery run time due to battery age or use.

## WARRANTY SERVICE

- 1.If you have a query about your MOOSOO appliance, please contact the MOOSOO customer service email: [usa@imoosoo.com](mailto:usa@imoosoo.com)
- 2.Please inform us your model name/number, purchase date, order number, machine problem and your requirement.
- 3.Your model number can be found on rating plate. For information on your rating plate see the inside front cover.
- 4.Please keep your purchase receipt in a safe place to ensure you have this information.
- 5.Service under this warranty will not extend the available time of warranty.





