

**NEC180 series**

Cordless stick vacuum cleaner; household type

# Owner's Guide

*Thank you for purchasing your new Eureka vacuum!*

## Important instructions

**For easy assembly, please take a few moments to read this owner's guide. If you have questions about your new vacuum, please contact our customer service HELPLINE at 1-800-282-2886. We're here to help!**



Eureka stands by our  
Clean Promise seal.  
Learn more at  
[www.eureka.com/cleanpromise](http://www.eureka.com/cleanpromise)

[www.eureka.com](http://www.eureka.com)



# eureka

# Where to find important vacuum information

## Keep this information

Write the model, type and serial number here:

Date of purchase (keep your receipt) \_\_\_\_\_

Model number and type \_\_\_\_\_

Serial number \_\_\_\_\_

Find these numbers on a label on the hand vacuum, battery, and charger. Refer to these numbers when ordering parts and accessories, or if service is needed.




## This Owner's Guide provides important instructions to prolong the life of your Eureka vacuum cleaner

**Registration:** To register your product visit [www.eureka.com](http://www.eureka.com) and click on the 'Register Your Product' link in the top right corner.

**Inspection:** Carefully unpack and inspect your new Eureka vacuum cleaner for shipping damage. Each unit is tested and thoroughly inspected before shipping. For instructions regarding any shipping damage, call the Eureka Customer Service **HELPLINE** at **1-800-282-2886** immediately.

### Contents

Important safeguards. . . . .	3
What comes in the carton . . . . .	4
How to identify parts of your vacuum cleaner . . . . .	5
Easy assembly, How to install wall mount, How to charge battery and Battery indicator lights . . . . .	6
How to use your vacuum cleaner . . . . .	7
How to use hand vacuum and accessory tools . . . . .	7-8
How to maintain your vacuum cleaner . . . . .	9
How to maintain dust cup, filters and brushroll . . . . .	9
The Eureka limited warranty . . . . .	10
Thermal cut-off and problem solving . . . . .	11
How to dispose vacuum cleaner and battery pack . . . . .	11
How to order replacement parts . . . . .	12

 Follow caution information wherever you see this symbol.

# IMPORTANT SAFEGUARDS

When using an electrical appliance, basic precautions should always be followed, including the following:

## READ ALL INSTRUCTIONS BEFORE USING THIS VACUUM CLEANER

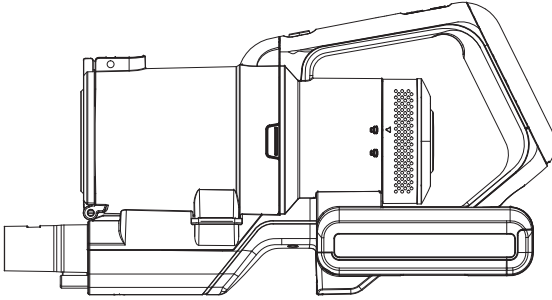
Failure to follow the warnings and instructions may result in electric shock, fire and/or serious injury.

## WARNING

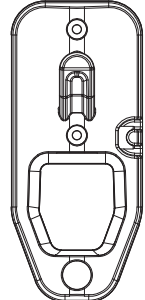
- Prevent unintentional starting. Ensure the switch is in the off-position before picking up or carrying the appliance. Carrying the appliance with your finger on the switch or energizing appliance that has the switch on invites accidents.
- Do not touch nozzle when the vacuum cleaner is on. Danger.
- Do not put any object into openings. Do not use with any openings blocked; keep free of dust, lint, hair and anything that may reduce air flow.
- Do not use outdoors or on wet surfaces.
- Do not operate the vacuum cleaner or charger if it has been damaged in any way. If vacuum cleaner is not working as it should, has been dropped, damaged, left outdoors, or dropped into water, call the Eureka Customer Service **HELPLINE** at **1-800-282-2886**.
- To avoid excessive heat and damage to the unit or battery, the vacuum cleaner will not operate while charging.
- Do not allow to be used as a toy. Close attention is necessary when used by or near children.
- Use only as described in this manual. Use only manufacturer's recommended attachments.
- Recharge only with the charger specified by the manufacturer. A charger that is suitable for one type of battery pack may create a risk of fire when used with another battery pack."
- Do not pull or carry the charger by cord, use cord as a handle, close a door on cord, or pull cord around sharp edges or corners. Do not run appliance over cord. Keep cord away from heated surfaces.
- This charger is not intended for use by travelers.
- Do not use extension cords or outlets with inadequate current-carrying capacity for the charger.
- Do not unplug by pulling on cord. To unplug, grasp the plug, not the cord.
- Do not handle charger or vacuum cleaner with wet hands.
- Use appliances only with specifically designated battery packs. Use of any other battery packs may create a risk of injury and fire.
- **DO NOT MUTILATE OR INCINERATE BATTERIES. THEY BECOME DANGEROUS AT HIGH TEMPERATURES.**
- Liquid ejected from the battery may cause irritation or burns. If the liquid gets on the skin, (1) seek medical attention, (2) wash quickly with soap and water, and (3) neutralize with a mild acid such as lemon juice or vinegar. If the liquid gets into the eyes, flush them immediately with clean water for a minimum of 10 minutes.
- When battery pack is not in use, keep it away from other metal objects, like paper clips, coins, keys, nails, screws or other small metal objects, that can make a connection from one terminal to another. Shorting the battery terminals together may cause burns or a fire.
- This product is functioning at temperature range within 40°F - 104°F.
- Do not use a battery pack or appliance that is damaged or modified. Damaged or modified batteries may exhibit unpredictable behavior resulting in fire, explosion or risk of injury.
- Do not expose a battery pack or appliance to fire or excessive temperature. Exposure to fire or temperature above 266°F may cause explosion.
- Follow all charging instructions and do not charge the battery pack or appliance outside of the temperature range specified in the instructions. Charging improperly or at temperatures outside of the specified range may damage the battery and increase the risk of fire.
- Have servicing performed by a qualified repair person using only identical replacement parts. This will ensure that the safety of the product is maintained.
- Do not modify or attempt to repair the appliance or the battery pack except as indicated in the instructions for use and care.
- The terminals on both the vacuum cleaner and battery should be kept free and clean of objects. Do not insert metal objects inside the terminals.
- This vacuum cleaner creates suction. Keep hair, loose clothing, fingers, and all parts of body away from openings and moving parts.
- Do not pick up anything that is burning or smoking, such as cigarettes, matches, or hot ashes.
- Do not use without filters in place.
- Use extra care when cleaning stairs.
- Do not use to pick up flammable or combustible liquids, such as gasoline, or use in areas where they may be present.
- Store vacuum cleaner and charger indoors in a cool, dry area. To avoid electric shock and/or cleaner damage, do not expose to weather elements.
- Keep your work area well lit. Unplug electrical appliances before vacuuming them.
- Overcharging, short circuiting, reverse charging, mutilating or incinerating the cells and the batteries must be avoided.
- If a cell or a battery has leaked or vented, it should be replaced immediately using protective gloves.
- If and when necessary, these cells or batteries must be replaced with identical new ones from the same manufacturer. If a cell or a battery to be replaced is connected with other cells or batteries in series, it is recommended that the other cells or batteries be replaced with new ones at the same time.
- Reverse polarity installation of the cell or the battery in the end product must be avoided.
- Do not incinerate this appliance even if it is severely damaged. Contact local waste facility before discarding in trash.
- **WARNING:** This product can expose you to chemicals including Di(2-ethylhexyl)phthalate (DEHP), which is known to the State of California to cause cancer and to cause birth defects or other reproductive harm. For more information go to [www.P65Warnings.ca.gov](http://www.P65Warnings.ca.gov).

# SAVE THESE INSTRUCTIONS

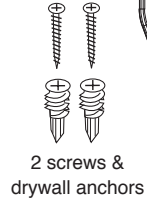
# What comes in the carton



Hand vacuum



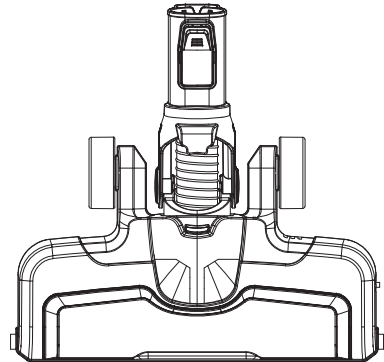
Wall mount



2 screws &  
drywall anchors



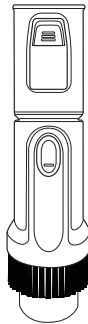
Important  
safeguards



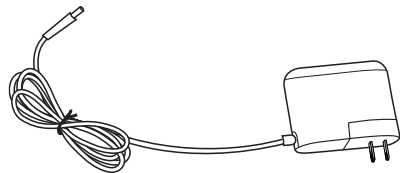
Motorized floor nozzle



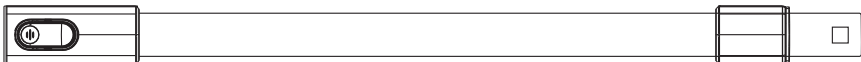
Crevice tool



2-in-1  
upholstery tool



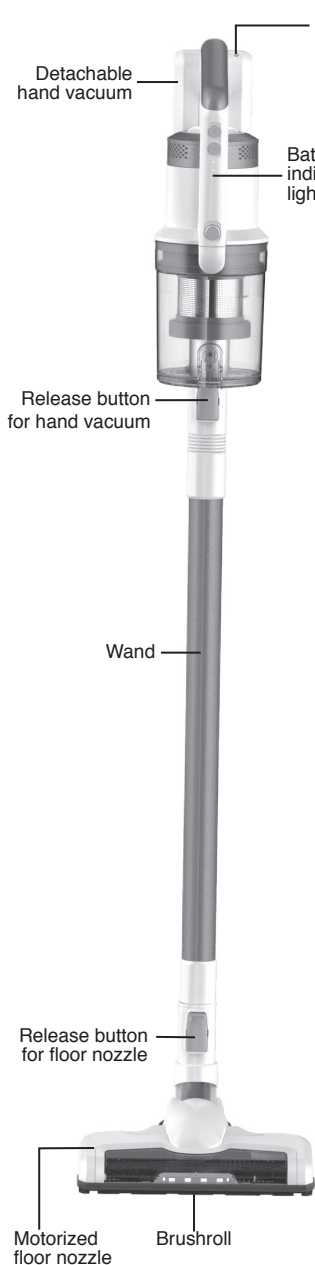
Charger



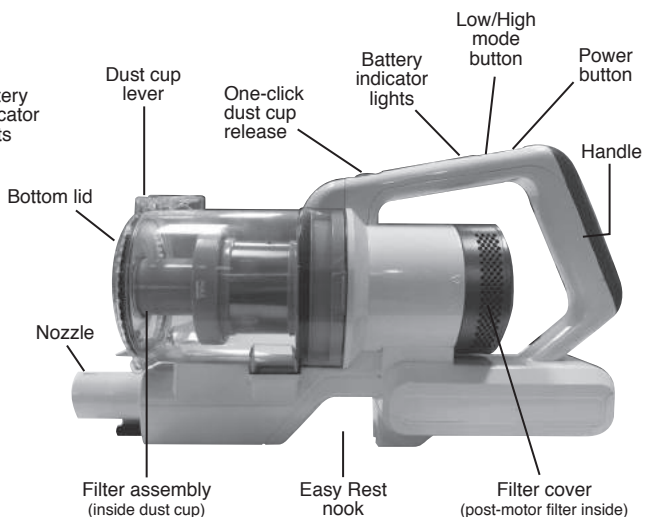
Wand

# How to identify parts of your vacuum cleaner

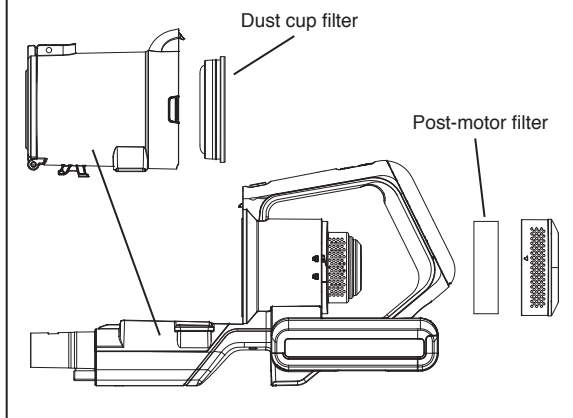
## Cordless vacuum cleaner



## Hand vacuum



### For filter maintenance instructions, see page 9



## Easy assembly

1. Slide wand onto hand vacuum until it clicks (Fig. 1).
2. Push wand into motorized floor nozzle until it clicks (Fig. 2).

### How to install wall mount

- Choose location near power outlet. Locate point high enough on wall to allow wand and motorized floor nozzle to hang freely.
- Place mount against wall and use pencil to mark drill holes.
- Drill holes (with 1/4" bit) and insert drywall anchors. Insert screws through holes on mount and tighten until firmly attached (Fig. 3).

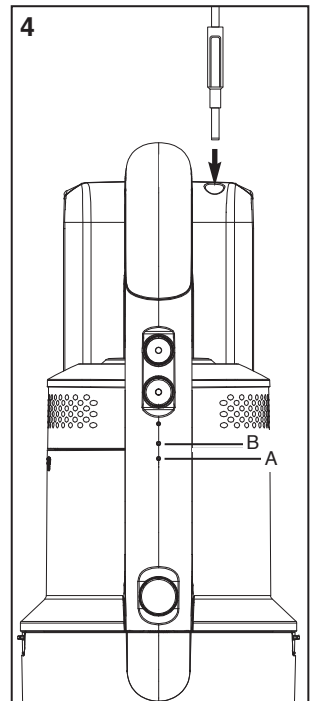
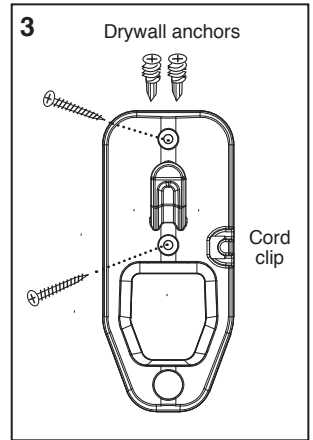
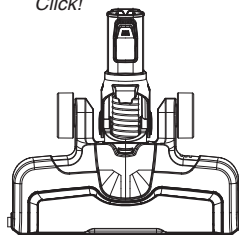
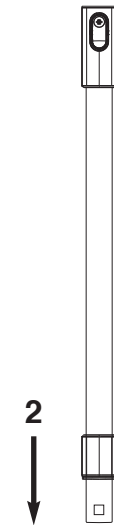
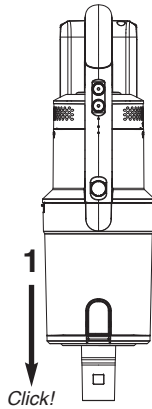
### How to charge battery and store accessories

- Place assembled vacuum cleaner on wall mount.
- Plug charger into power outlet and then into charger port on handle (Fig. 4).
- Loop charger cord into clips on sides of wall mount.

### Battery indicator lights show level of charge (Fig. 4):

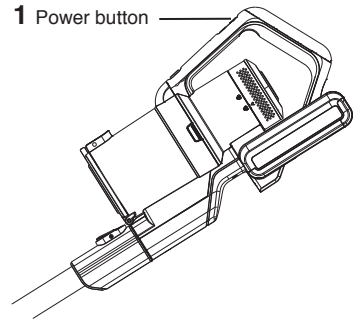
- A. Half charged
- B. Fully charged

- Indicator lights stop blinking when fully charged.
- Charge battery fully before using for the first time. This may take up to six hours.



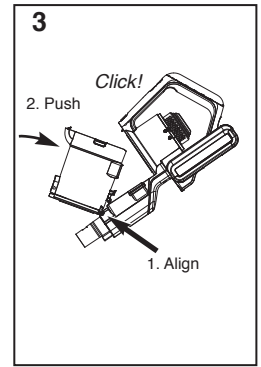
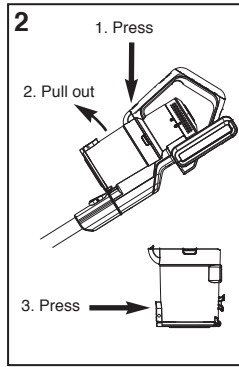
## How to use cleaner for cleaning floors

1. Click power button once to start (Fig 1). Vacuum starts on High mode. Use Low/High button to switch between modes.
2. Using motorized floor nozzle, glide back and forth on area to be cleaned. Avoid oversized or sharp items (such as screws) with cleaner.
3. Twist wrist to engage swivel function.
4. When done, click power button once to stop motor.



## Empty dust cup after every use

1. Click the dust cup release button, located on the front of the handle just above the dust cup and pull dust cup out. (Fig. 2).
2. Press lever to release bottom lid of dust cup to empty debris. (Fig. 2)
3. To place the dust cup back, angle it forward so the lower hook catches in the slot and then gently push it back towards the wand until you hear click indicating it is locked in place. (Fig. 3)



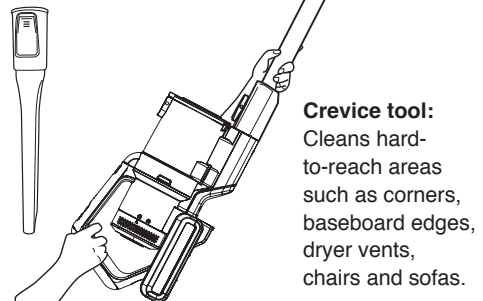
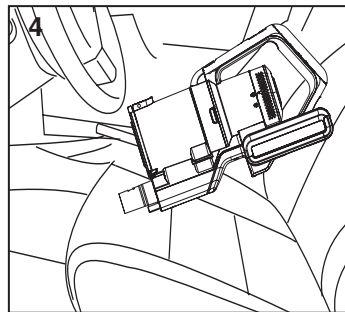
## How to use hand vacuum and accessories

### **CAUTION**

**Moving parts!** Always turn off hand vacuum before attaching accessories.

The hand vacuum can be used with or without tools.

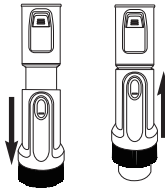
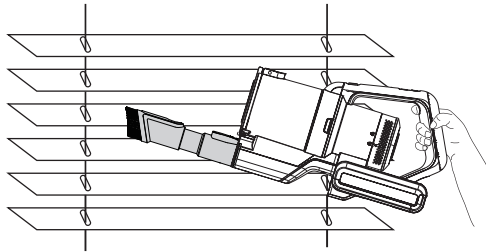
- To use without tools, press release button and remove wand. Collect debris directly with hand vacuum nozzle (Fig. 4).
- To use tools with wand, press release button to remove motorized floor nozzle. Slide tool onto end of wand until it clicks (Fig. 5).
- To use tools with hand vacuum only, press release button to remove wand. Slide tool onto hand vacuum until it clicks.



**Crevice tool:** Cleans hard-to-reach areas such as corners, baseboard edges, dryer vents, chairs and sofas.

Use with or without wand.

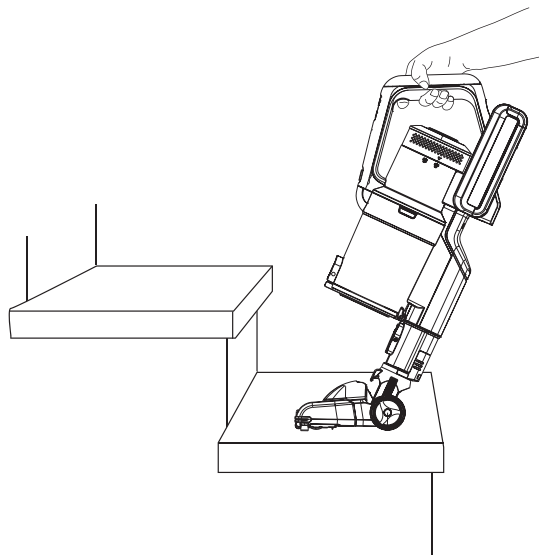
- **2-in-1 upholstery tool:** Use brush to vacuum blinds, vents or upholstered surfaces. Use felt portion to clean delicate surfaces. To switch between felt and brush portions, press thumb release and slide brush up or down.



## How to use hand vacuum and motorized floor nozzle

Ideal for cleaning stairs.

- Press release button to remove wand from hand vacuum. Attach motorized floor nozzle directly to hand vacuum until it clicks.
- Click power button once to start. Vacuum starts on High mode. Use Low/High button to switch between modes depending on suction power desired.



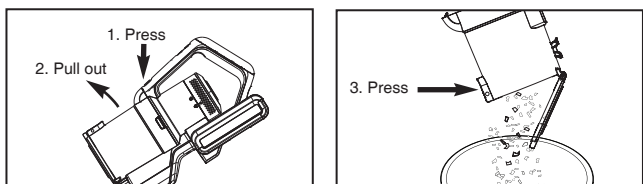
# How to maintain your vacuum cleaner

**CAUTION**

Never operate vacuum cleaner without all filters, filter screen and dust cup in proper position.

**WARNING:** Moving parts!  
Recharge cleaner after each use.

### Dust cup – Empty after each use



1. Press
2. Pull out
3. Press

Click the dust cup release button, located on the front of the handle just above the dust cup and pull dust cup out.

Press lever to release bottom lid of dust cup to empty debris.

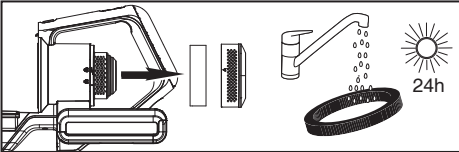
### Washable dust cup filter – clean monthly



1. Press
2. Pull out
3. Reattach filter and Cyclone.
4. Click dust cup back into place on unit.

1. Click the dust cup release button, located on the front of the handle just above the dust cup and pull dust cup out.
2. Lift out pre-motor filter and shake off dust frequently. Every three months rinse filter and dry THOROUGHLY.
3. Reattach filter and Cyclone.
4. Click dust cup back into place on unit.

### Washable post-motor filter – clean every 6 months



1. Twist filter cover and remove.
2. Lift out post-motor filter.
3. Shake to remove dust.
4. Every 6 months, replace filter or rinse and dry THOROUGHLY.
5. Reposition filter and cover and twist to 'lock.'

1. Twist filter cover and remove.
2. Lift out post-motor filter.
3. Shake to remove dust.
4. Every 6 months, replace filter or rinse and dry THOROUGHLY.
5. Reposition filter and cover and twist to 'lock.'

## How to maintain brushroll

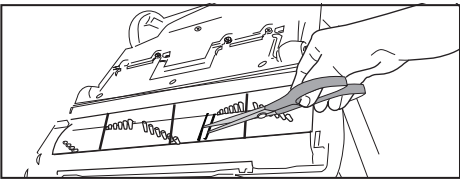
To avoid unnecessary service calls, periodically check brushroll for debris. If brushroll gets clogged it will automatically shut off. Turn vacuum off and unplug before attempting to remove clog.

### Washable brushroll – clean frequently

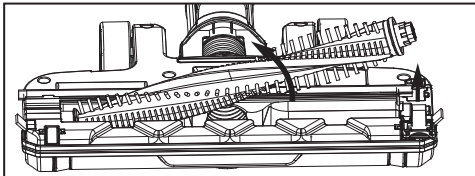
**CAUTION**

Make sure vacuum cleaner is turned off and not plugged into a power source.

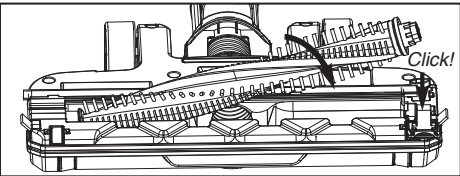
**WARNING:** Do not attempt to remove belt. Call the Eureka Customer Service HELPLINE at 1-800-282-2886.



Step on floor nozzle to lower handle. Turn vacuum face down on floor. Use scissors to clip heavy threads or strings.



If debris cannot be removed easily, locate the brushroll release tab on the right side and open the brushroll cover. Remove the brushroll and clear any tangled hair and remaining debris.



- To reassemble:
1. Align one end of brushroll with floor nozzle gear.
  2. Press other end into slot.
  3. Replace brushroll release tab into slot and press down to click it into place.

## The Eureka 1.5 year limited warranty

Midea America Corp. ("Eureka"), subject to the terms and conditions herein, warrants this vacuum cleaner to be free from defects in material and workmanship for a term of one and a half years from the date of original purchase when used in accordance with the Eureka operating and maintenance instructions and under normal household usage. This warranty is granted only to the original purchaser and members of immediate household, and is applicable only to original purchases from Eureka authorized resellers.

### What Eureka will do:

Eureka will, at its option, repair or replace a defective vacuum or vacuum part that is covered by this warranty. Repairs may be performed using new or refurbished parts that meet or exceed Eureka specifications for new parts. If Eureka elects to replace the vacuum, the replacement may be a reconditioned unit. Depending on availability of products, Eureka reserves the right to provide you with a replacement product that is the same or similar, or substitute equivalent of the original product. As a matter of warranty policy, Eureka will not refund the consumer's purchase price.

### This warranty does not cover:

- Battery module and battery components. The battery module and its components are covered by a separate one-year limited battery warranty.
- Normal wear and tear of the vacuum and vacuum parts that require replacement under normal use such as disposable dust bags, filters, drive belts, light bulbs, brush-roll, bristles, impellers and cleaning.
- Damages or malfunctions resulting from: improper or unreasonable use or maintenance, abuse, negligence, failure to follow instructions contained in any written materials that accompany the product, deterioration by reason of excess moisture, corrosive atmosphere, lightning, power surges, connections to improper voltage supply, unauthorized alteration, or other external causes such as extremes in temperature or humidity, modifications, scratches or discoloration, accidents, misuse, or acts of God. This warranty also does not cover damage resulting from repair or attempted repair by anyone other than Eureka or an authorized Eureka Warranty Station. This warranty is not applicable to any product that has been altered or on which the serial number has been defaced, modified or removed. Altering, erasing, or forging any proof-of-purchase documents voids any applicable product warranty.

### Obtaining warranty service:

To obtain warranty service you must contact the Eureka Service Team, toll free, at 1-800-282-2886 or email [customerserviceusa@midea.com](mailto:customerserviceusa@midea.com), to discuss the warranty claim and procedures to be followed. All warranty claims must include submission of proof-of-purchase documentation. For additional information, you may also visit [www.eureka.com](http://www.eureka.com).

### Shipping charges:

You will be responsible for any initial shipping and insurance charges if the defective product(s) must be shipped for warranty service or warranty evaluation; however, Eureka or a Eureka Authorized Warranty Station will pay the return shipping charges if repairs are covered by the warranty. When returning parts for repair, you must include the model, type and serial number located on the rating plate. If any product submitted for warranty service is found to be ineligible, an estimate of repair cost will be furnished and the repair performed only if requested by the owner and upon receipt of payment or acceptable arrangements for payment.

### Further limitations and exclusions:

Any warranty that may be implied in connection with your purchase or use of the vacuum, including any warranty of Merchantability or any warranty of Fitness For A Particular Purpose is limited to the duration of this limited warranty. Some states do not allow limitations on how long an implied warranty lasts, so the above limitations may not apply to you.

Your relief for the breach of this warranty is limited to the relief expressly provided above. In no event shall the manufacturer be liable for any consequential or incidental damages you may incur in connection with your purchase or use of the vacuum. Some states do not allow the exclusion or limitation of incidental or consequential damages, so the above limitation or exclusion may not apply to you. This warranty gives you specific legal rights. You may also have other rights, which may vary by state.

## The Eureka 12-month limited battery warranty

Midea America Corp. ("Eureka"), subject to the terms and conditions herein, warrants this Battery Module to be free from defects in material and workmanship for a term of one year from the date of original purchase when used in accordance with the Eureka operating and maintenance instructions and under normal household usage. This warranty is granted only to the original purchaser and members of immediate household, and is applicable only to original purchases from Eureka authorized resellers.

### What Eureka will do:

Eureka will, at its option, repair or replace a defective Battery Module or battery part that is covered by this warranty. Repairs may be performed using new or refurbished parts that meet or exceed Eureka specifications for new parts. If Eureka elects to replace the Battery Module, the replacement may be a reconditioned unit. Depending on availability of products, Eureka reserves the right to provide you with a replacement product that is the same or similar, or substitute equivalent of the original product. As a matter of warranty policy, Eureka will not refund the consumer's purchase price.

### This warranty does not cover:

- Normal wear and tear of the Battery Module and battery parts that require replacement under normal use.
- Damages or malfunctions resulting from: improper or unreasonable use or maintenance, abuse, negligence, failure to follow instructions contained in any written materials that accompany the product, deterioration by reason of excess moisture, corrosive atmosphere, lightning, power surges, connections to improper voltage supply, unauthorized alteration, or other external causes such as extremes in temperature or humidity, modifications, scratches or discoloration, accidents, misuse, or acts of God. This warranty also does not cover damage resulting from repair or attempted repair by anyone other than Eureka or an authorized Eureka Warranty Station. This warranty is not applicable to any product that has been altered or on which the serial number has been defaced, modified or removed. Altering, erasing, or forging any proof-of-purchase documents voids any applicable product warranty.

### Obtaining warranty service:

To obtain warranty service you must contact the Eureka Service Team, toll free, at 1-800-282-2886 or email [customerserviceusa@midea.com](mailto:customerserviceusa@midea.com), to discuss the warranty claim and procedures to be followed. All warranty claims must include submission of proof-of-purchase documentation. For additional information, you may also visit [www.eureka.com](http://www.eureka.com).

### Shipping charges:

You will be responsible for any initial shipping and insurance charges if the defective product(s) must be shipped for warranty service or warranty evaluation; however, Eureka or a Eureka Authorized Warranty Station will pay the return shipping charges if repairs are covered by the warranty. When returning parts for repair, you must include the model, type and serial number located on the rating plate. If any product submitted for warranty service is found to be ineligible, an estimate of repair cost will be furnished and the repair performed only if requested by the owner and upon receipt of payment or acceptable arrangements for payment.

### Further limitations and exclusions:

Any warranty that may be implied in connection with your purchase or use of the Battery Module, including any warranty of Merchantability or any warranty of Fitness For A Particular Purpose is limited to the duration of this limited warranty. Some states do not allow limitations on how long an implied warranty lasts, so the above limitations may not apply to you.

Your relief for the breach of this warranty is limited to the relief expressly provided above. In no event shall the manufacturer be liable for any consequential or incidental damages you may incur in connection with your purchase or use of the Battery Module. Some states do not allow the exclusion or limitation of incidental or consequential damages, so the above limitation or exclusion may not apply to you.

This warranty gives you specific legal rights. You may also have other rights, which may vary by state.

## Problem solving



**Make sure vacuum cleaner is off and charging plug is unplugged.**

### NOTICE : Thermal cut-off

This vacuum cleaner has a special thermostat that protects the vacuum cleaner in case of motor overheating. **If the vacuum suddenly shuts off**, proceed as follows: 1) Check the vacuum for a possible source of overheating such as a full dust cup, blocked wand or clogged filters. If these conditions are found, fix them and wait at least 30 minutes before attempting to use the vacuum. 2) After the **30 minute** period, press the power button. If the vacuum still does not work, call the Eureka Customer Service **HELPLINE** at **1-800-282-2886**.

Problem	Solution
<b>Motor will not start</b>	<ul style="list-style-type: none"> <li>• Make sure cleaner is fully powered.</li> <li>• Push charger securely into electrical outlet, try another outlet or check circuit breaker.</li> <li>• See detailed “thermal cut-off” instructions above.</li> </ul>
<b>Charging indicator lights are not lit while charging</b>	<ul style="list-style-type: none"> <li>• Make sure charger is securely inserted into electrical outlet.</li> <li>• Make sure charging plug is securely inserted into handle.</li> <li>• Indicator lights stop blinking when fully charged.</li> </ul>
<b>Not enough suction power</b>	<ul style="list-style-type: none"> <li>• Empty dust cup and clean or change filters. See page 9 for maintenance instructions.</li> <li>• Make sure cleaner is fully powered. Charge battery.</li> <li>• Remove clogs that restrict the airflow.</li> </ul>
<b>Not enough running time</b>	<ul style="list-style-type: none"> <li>• Make sure cleaner is fully powered.</li> <li>• Charge battery for up to six hours before using.</li> </ul>
<b>Brushroll will not turn</b>	<ul style="list-style-type: none"> <li>• Check brushroll for debris. See page 9 for maintenance instructions.</li> </ul>

## Discarding the vacuum and battery pack



Before you discard this vacuum, dispose of battery in an environmentally safe manner. Do not discard battery with your regular household trash.

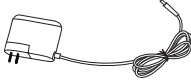


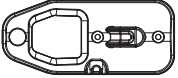



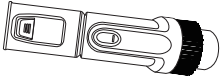

### Important battery disposal information.



**To find a disposal location nearest you, call 1-800-822-8837.**



**To preserve natural resources, please recycle or dispose of expired battery pack properly.** This product contains a lithium-ion battery. It must be disposed of properly. Local laws may prohibit disposal of lithium-ion batteries in ordinary trash. Consult your local waste authority for information regarding available recycling and/or disposal options.

Image	Part name	Part # (fits models)
	Charger	P0801
	Crevice tool	Z0101 (all)
	Post-motor filter	P0301
	Wall mount	P0701
	Floor nozzle	P0501
	Wand	P0101
	Cyclone (no filter)	P0401
	2-in-1 upholstery tool	Z0201 (all)
	Brush roll	P0601