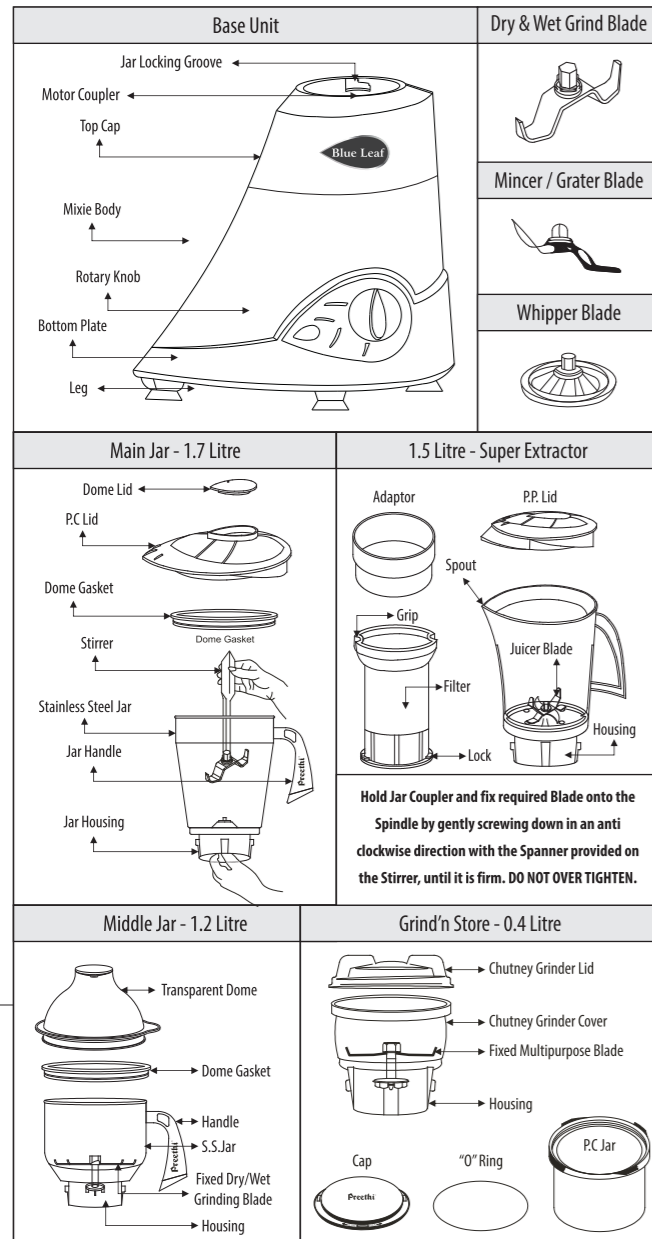




## Know your Preethi Blue Leaf Platinum



**Note:**

**Jar Placing :** Place the Jar on the Top Cap, Ensuring that the locks fit properly in the Jar locking Grooves of the Top Cap.

**Dome :** Ensure that the Dome Gasket is properly fitted and hold Dome gently while operating

**Speed Control :** Turn Rotary Switch clockwise for speed 1,2 or 3 as desired. Inching - Turn Rotary Switch anti-clockwise for a few seconds and release or momentary operation. (Inching is especially useful for wet grinding of chutneys, mincing meat, grating vegetables, crushing ice, etc.,)

**Caution:** This appliance is not intended for use by persons (Including children) with reduced physical, sensory or mental capabilities, or lack of experience and knowledge, unless they have been given supervision or instruction concerning use of the appliance by a person responsible for their safety. Children should be supervised to ensure that they do not play with the appliance. PREETHI is provided with PVC insulated 3 Core, Flexicord with Plugtop & earthing. Plug the Power Cord to a 230V ~ 50 Hz supply only. If the supply cord is damaged, it must be replaced by the manufacturer or its authorised service agent only in order to avoid a hazard.

### Thermal Overload Protector

- T.O.P. is provided with motor & not at the bottom of mixie.
- Your Mixie is protected from overload and voltage fluctuations.
- If your Mixie stops during usage,
  - First SWITCH OFF MIXIE.
  - Decrease load in Jar, by removing some material.
  - Restart after 20 mins.

**Caution :**  
If you do not Switch Off the Mixie, it will automatically restart and can cause damage.  
Never put your hand inside the Jar, without switching off the Mixie.

## Jars & Blade Description:

Main Jar - 1.7 Litre	Middle Jar - 1.2 Litre
 <p><b>Dry / Wet Grinding Blade:</b> Dry Grind, Wet Grind &amp; Liquidise <b>Grater / Mincer Blade:</b> Mince Meat, Grate Vegetables &amp; Crush Ice</p>	 <p><b>Fixed Dry / Wet Grinding Blade:</b> Dry / Wet Grind, Liquidise &amp; Crush Ice</p>
1.5 Litre - Super Extractor	0.4 Litre - Grind'n Store
 <p><b>Juicer Blade:</b> Extract, Liquidise &amp; Juice <b>Whipper Blade:</b> Whip &amp; Churn</p>	 <p><b>Fixed Multipurpose Blade:</b> Dry / Wet Grind Small Quantities</p>

## How to use Grind'n Store

- Fig.1 Put ingredients to be ground into Jar.
- Fig.2 Invert Base onto Jar and turn in clock-wise direction, till it is properly locked.
- Fig.3
- Seat Assembly on Top Cap ensuring that the Base Locks fit properly in the grooves of the Top Cap.
  - Inch 5 to 10 times.
  - Grind on Speed 1 only.
- d. Never grind for more than 1 minute continuously. If you need to grind for more than 1 minute, STOP MIXIE FOR 1 MINUTE & THEN GRIND AGAIN. If the appliance is run for more than 1 minute while dry grinding, the contents will get excessively hot and can cause the Jar to warp out of shape.
- Fig.4 After grinding, remove Assembly from Mixie by holding the Base, twisting anti-clockwise and lifting off the Top Cap.
- Fig.5 Invert Assembly, hold the Jar with one hand and twist open anti-clockwise, to release the Jar.
- Fig.6 Allow contents to cool and then twist the Cap clockwise on the Jar to seal airtight, ensuring that the 'O' Ring is in place.
- Fig.7 The Grind n' Store can be used as a Chutney Grinder by using the Chutney Grinder Lid instead of the Jars.
- Caution:**
- NEVER LEAVE BASE ALONE ON MIXER.
  - NEVER OPERATE UNLESS JAR IS PROPERLY LOCKED ON THE BASE.
- WARNING:**  
Improper use of appliance without locking Jar onto Base can cause serious injury.



## Grinding Instructions:

### ROASTED CEREALS, RAW RICE, DAL, CHILLI POWDER, GARAM MASALA, DHANIYA JEERA POWDER, CURRY LEAF POWDER, COFFEE POWDER, SAMBAR / RASAM POWDER....

- Ensure Blade, Jar, Lid and ingredients are totally dry.
- Run on Speed 3.
- If you need finer powder, wait for 1 minute and grind again for 1 to 2 minutes.

### IDLI, DOSA, UTHAPPAM, APPAM, PESARATTU, VADAI...

- Soak Rice/Dal for 4 to 5 hours or as required. Drain water from ingredients.
- Run on Speed 3 adding water gradually when required.
- If Material sticks to the sides of the Jar, stop and stir using Stirrer, run again.
- Ensure free circulation by adding enough water.
- Do not allow batter to get heated up.
- Do not add too much water, where thick paste is required.
- Grind twice if quantity is more.

**Note:** While wet grinding tough batter, air bubbles may enter the paste. This will result in the blade rotating freely and an increase in noise. If so, stop, stir the paste and restart.

### COCONUT, TOMATO, ONION, CORIANDER, MINT CHUTNEY

- Inch 5 to 7 times to powder ingredients.
- Then add water as required.
- Grind on Speed 3

## MEAT MINCING, VEGETABLE GRATING, ICE CRUSHING...

- Trim fat from meat and remove all bones.
- Cut meat into 1" cubes. Fill upto blade level only.
- Inch 10 to 20 times or till material is minced/grated.
- Repeat if quantity is more.

**Note :** (i) Use the Mincer Blade for mincing operation only.  
(ii) Operate in 'Pulse' mode only when using the Mincer Blade.

## VEGETABLE, FRUIT JUICES, LASSI, COCONUT MILK, TAMARIND EXTRACTION MILK SHAKES, EGG WHIPPING & BUTTER CHURNING ETC. (SUPER EXTRACTOR)

- The Juicer Blade and Filter should be used only for extraction and juicing.
- The Whipper Blade can be used only for whipping / churning.
- For whipping/churning run on Speed 1 only.

## Cleaning the Mixer Body and Top Cap

- Clean Body and Top Cap with a damp cloth and wipe dry.
- Do not use abrasives or water for cleaning.

## Cleaning the Stainless Steel Jars and Blades

- Fill in 1/2 litre of water and a teaspoon of any mild cleaning powder.
- Run the Mixie on Speed 1 for 30 seconds, leaving the Blade fixed to the Spindle of the Stainless Steel Jar.
- Rinse and dry.
- Always store Jars in inverted position to allow water to drain off.

## How to use Super Extractor



- Fig.1 Align filter grip to jar spout and lick filter onto the jar by turning clockwise.
- Fig.2 Put ingredients into filter. (If you are making fruit cocktail, you can put in different fruits Such as apple, pineapple, lemon juice with mint leaves & sugar etc together).
- Fig.3 Place cup and close lid firmly ensuring that lid nose is aligned to jar spout as shown in the picture. Seat jar assembly on top cap ensuring that the jar base locks fit Properly in the grooves of the top cap.
- Fig.4 Inch 7-10 times till ingredients are shredded.
- Fig.5 Open lid, remove cup, add required water, replace cup, close lid and run on speed 3. Second extraction is possible for coconut milk (for tamarind extract, Remove seeds before extraction).
- Fig.6 Remove jar assembly from mixie by turning the jar anti-clockwise and lifting the jar off the top cap. Open lid nose by twisting it up & pour juice from the jar (the pulp stays in the filter).
- Note:** For butter churning, egg whipping, lassi, use Whipper Blade without filter.

## Do's

- When operating the Mixie for the first time or after long storage or when the Mixie has been shifted over a long distance, rotate the Motor Shaft by hand through the Motor Coupler, until the Motor Shaft rotates freely.
- Unplug from power socket before fixing, removing attachments and also while cleaning or when not in use.
- Ensure that the locks of the Stainless Steel Jar are properly seated in the grooves provided inside the Top Cap and Dome is fixed properly on the Jar before starting the mixie.
- Ensure Blade is fitted properly before running.
- In Super Extractor - When using Filter always use with Cup.

## Don'ts

- Do not touch moving parts, while operating Mixie.
- Do not overload Mixie. When hot air emanates from the top cap. Switch off the Motor and wait for 3 minutes, before re-starting.
- Do not remove Dome and add solid ingredients, when the Motor is running.
- Do not operate with damaged Power Cord.
- Do not tamper or attempt to repair Mixie on your own, Contact nearest "Preethi Customer Care Centre."
- Do not grind hot ingredients in the Mixie.
- Do not use the Mincer Blade for operations other than mincing.
- Do not run the Mixie without Dome.
- Do not seat the Jar when the Switch is in "ON" Condition.
- Never put your hand inside the Jar, without switching OFF the Mixie.
- In Super Extractor - Do not run without locking Filter properly.
- In Super Extractor - Do not pierce Filter with sharp objects while cleaning.

## Preethi

Blue Leaf Platinum

### GUARANTEE CARD

Model No. **MG 139**

Serial No.

Date Sold

Purchaser's Name and Address

Dealer's Name & Address

Signature:

Stamp:

### TERMS & CONDITIONS OF GUARANTEE AND SERVICE POLICY

- Retain the original sale bill and the Guarantee Card, which should be shown to our Service Personnel for Scrutiny while sending your Mixie for service to our Customer Care Centre.
- The Two Year Guarantee does not cover damage to the Mixie due to mishandling, negligence, breakage or cracking of Transparent Jars, Domes, Lids, Mixie Body and Cap and denting of Stainless Steel Jar.
- All repairs (arising from manufacturing defects) within the Two Year Guarantee period will be done 'Free of Charge'. Our Customer Care Centres will not charge you for components or labour.
- Free service and replacement under guarantee does not affect the expiry date of the guarantee.
- For repairs after the expiry of the guarantee period our Customer Care Centre will charge for the cost of component replaced. There will be no labour charges and life long free service will be provided.
- The Guarantee is valid only in the country of purchase.
- Defective components which are exchanged both under 'Chargeable' & 'Free of Charge' basis, become the property of the Company.
- You are entitled to a free check up every 6 months with any of our Customer Care Centres listed in this Manual.
- If the Mixie is tampered with or opened by any unauthorised person, the guarantee is void.
- Guarantee is void if the Mixie is used for any purpose other than domestic use.

## Preethi

Blue Leaf Platinum

Model No. **MG 139**

YOUR COMMENTS on the performance of your Mixie and suggestions for product improvement. IN CASE OF COMPLAINTS write to us directly or call Tel. No.: 91-44-2432 8822 (Chennai).

Sender's Name and Address (in BLOCK LETTERS):

## Preethi

Blue Leaf Platinum

### SALE DETAILS

Model No. **MG 139**

Serial No.

Date Sold

Purchaser's Name and Address

(To be returned to us through our dealer)