



Parenting Made Easy

User Manual

Baby Safety Bed Guard Rail



Please read the manual carefully before using and keep it with you for future reference.

Make In India 

www.kidstation.in

Thank you for choosing Kids Station™



We congratulate you on taking your first steps towards shaping the childhood experiences of your little one filled with love, laughter and fun.

Instagram Contest Alert !

Hey Parents and Caregivers! Are you ready for a fantastic giveaway?

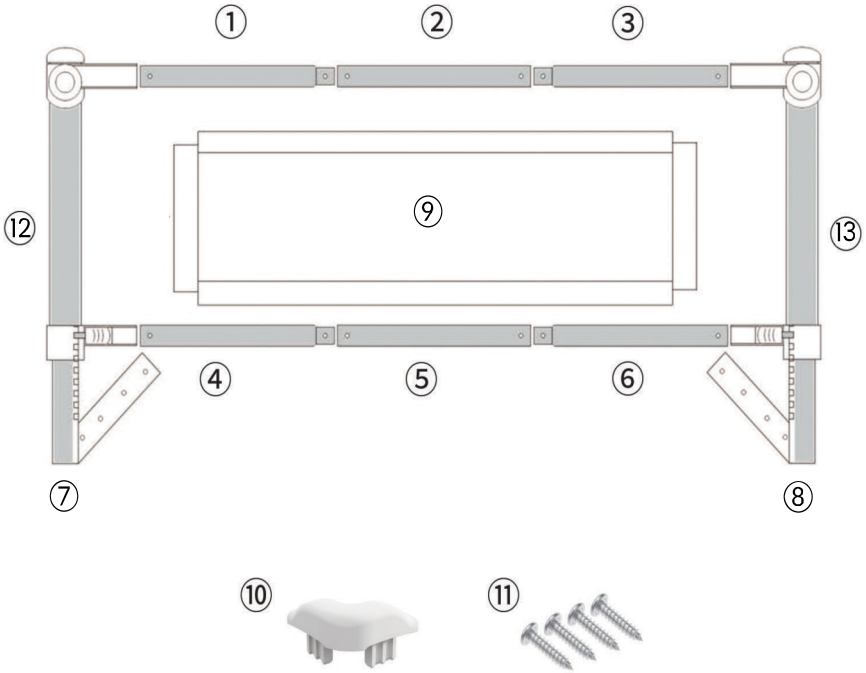
We're excited to introduce our Kids Station Baby Bliss Contest, where you have a chance to win some incredible goodies for your little bundle of joy.

Here's how to enter:

1. Follow Us: Make sure you're following our official Instagram page: @_kidstation
2. Like this Post: Give this contest announcement post a big thumbs-up to show your excitement.
3. Tag a Friend: ****Comment**** on this post by tagging a fellow parent or friend who would love to know about this contest. Each tagged friend is an additional entry!
4. Share Your Baby Joy: In a separate post, share a photo of your adorable baby using any of our products. Don't forget to use the hashtag #KidsStationBabyBliss and mention/tag @YourInstagramHandle in your caption.

Prizes: Get ready to win some amazing baby products that'll make parenting a breeze!

List of Parts



1/2/3: Top Tube

4/5/6: Lower Tube

7. L- Shape Supporting Leg (Left)

8: L- Shape Supporting Leg (Right)

9: Fabric Cover

10: Connector

11: Screws

12: Standing Tube (Left)

13: Standing Tube (Right)

PLEASE NOTE: 2 and 5 number rods vary in lengths depending upon the size of the bed rail.

Caution

1. Keep the bed guard rail at a safe distance from sources of fire and heat
(e.g. electric heaters, heating fans, etc.).
2. Please do not leave hard objects or objects that may cause danger such as ropes or curtain strings on the bed or hang them on the guard rail.
3. Maximum weight of this product is 25kg.
4. This product is for preventive protection only, but is not a substitute of adult supervision.
5. This product is not a toy.
6. Please read the instructions in detail and use the product according to the actual bed frame and mattress for correct installation, otherwise serious accidental injuries may occur.
7. Do not use this product if any of the accessories are seriously damaged or missing.
8. This product is only a safety aid and is not suitable for all bed types.
9. Do not use if the bed rail does not match the bed type or mattress.
10. It is the parent's responsibility to ensure that the bedrail is tightly fitted to the mattress and properly secured before use. This product does not have the ability to isolate all hazards or accidents.
11. Infants under 2 years of age need to be supervised by their parents during use of this product due to their reduced mobility to avoid fatal hazards.
12. All assembly parts should be properly fastened.
13. It is recommended that the enclosure is cleaned and maintained regularly.
14. The product should be discontinued when children can climb out of the enclosure or reach a height of 89 cm.

Maintenance and Care

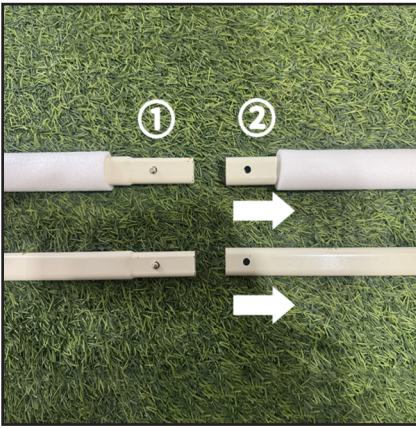
1. The fabric cover can be removed and washed at a maximum temperature of 40°.
2. Do not bleach, sunburn, dry clean or iron at high temperatures.
3. The bed rail fittings can be wiped clean with a normal wet cloth.
4. Small parts such as fixing screws need to be reinforced regularly to prevent loosening and falling off to form small parts that can be swallowed by babies.

Warning

Suffocation hazards:

1. There should be no gap between the mattress and the bed guard rail.
2. Gaps in bed guards can catch children and cause suffocation and death.
3. Do not put items such as pillows, blankets or stuffed animals inside the gap. It may cause death by suffocation of the child.
4. This product is for adult beds only and cannot be used for cots, bunk beds, waterbeds or inflatable mattresses.
5. The product contains small parts and is not suitable for children under 2 years old to use alone.
6. This product is recommended for children aged 18 months to 5 years.
7. Do not leave anything that can cause suffocation or strangulation.
8. Do not leave your child unattended.
9. Do not use the bed guard if it cannot be properly secured.
10. If the toy is not removed when the child begins to stand on his or her hands or knees, injury from entanglement or strangulation may occur. Injuries from entanglement or strangulation may occur.

How to Assemble the Bed Guard Rail



1. Press the Spring A and A' to connect the (1 & 2), (2 & 3) connecting tubes of top tube and assemble the lower tube in same way.

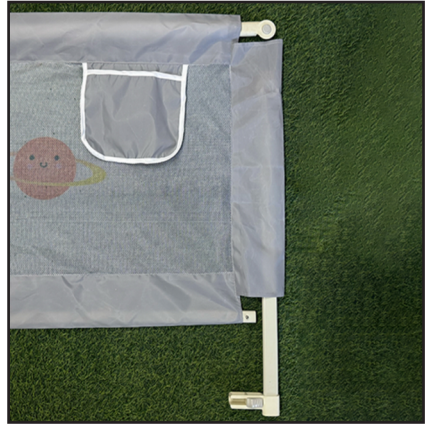


2. Finish the assembly of the top and lower tube.

Remark: DO NOT remove the foam from the rod while assembling as it is not for packaging purpose. However, is there to protect the child's head from getting hurt upon hitting.



3. Install the fabric cover into the lower and top connecting tubes.



4. Install the fabric cover into the standing tube of one side.

How to Assemble the Bed Guard Rail



5. Press the metallic button and slide it into the section to join the bottom rod with the vertical rod.



6. Repeat the same for to connect the bottom rod with the vertical rod of the other side.

Remark: It is mandatory to connect both the bottom rods with the vertical rods first to avoid any issues in the installation



7. Continuously press the grey coloured button and lower down the plastic part

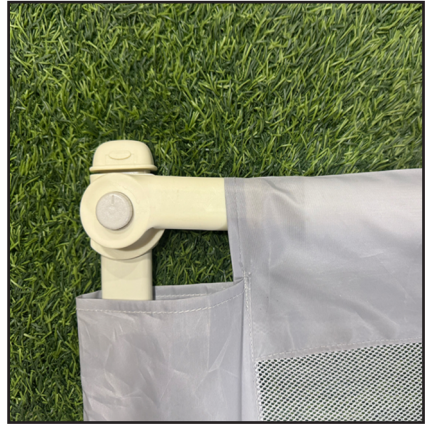


8. Slide the rod number 1 onto the plastic part so as to lock the rods together

How to Assemble the Bed Guard Rail



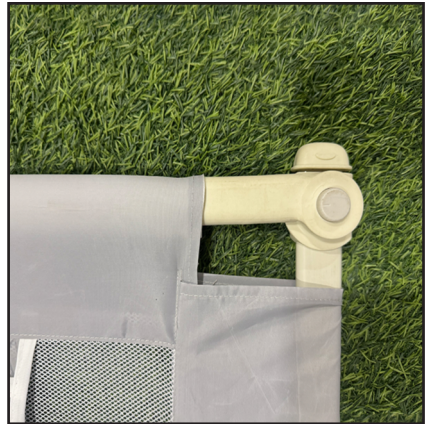
9. This is how the rods look after getting connected with each other.



10. Pull the joint rods upwards so that they get connected with the metallic button.



11. Rotate the button to the OFF position. **Remark: You can rotate it back to ON position if in need to lower down the rod.**

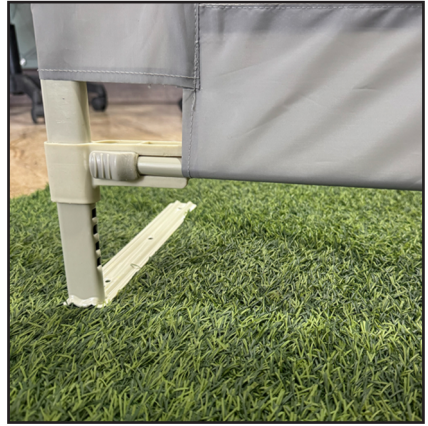


12. Repeat the same process from (7-11) number steps for the other side.

How to Assemble the Bed Guard Rail



13. Slide the L- Shape leg into the bed rail frame thus made.

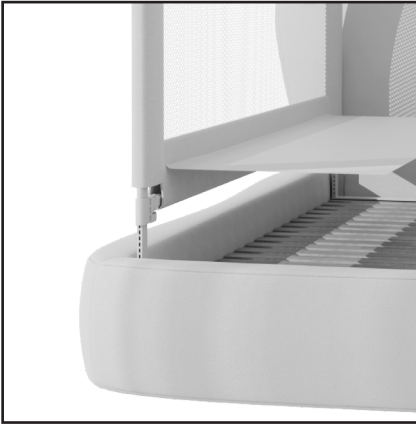


14. Repeat the same for the other side as well.

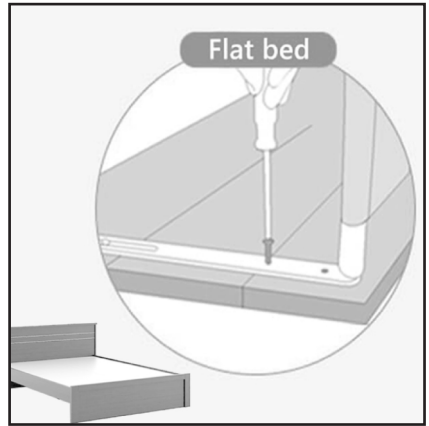


15. Finish the Assembly

How to Install Bed Guard Rail onto the Bed

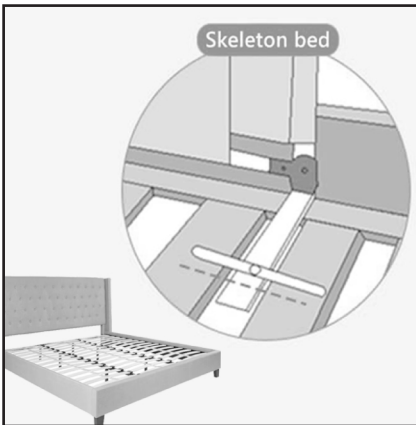


1. Lift the mattress and place the baby bed guard rail on the frame of the bed i.e. the plywood base.



2.1. Screw the L- Shaped Leg with the board of the bed.

Remark: This is only for Flat Board Bed



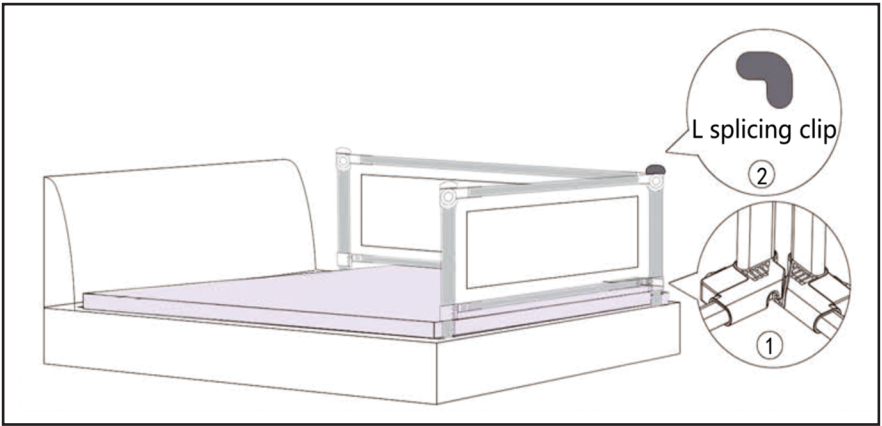
2.2. Screw the L- Shaped Leg with the board of the bed.

Remark: This is for Skeleton Bed



3. Put on the mattress and press down on the bed rail support feet.

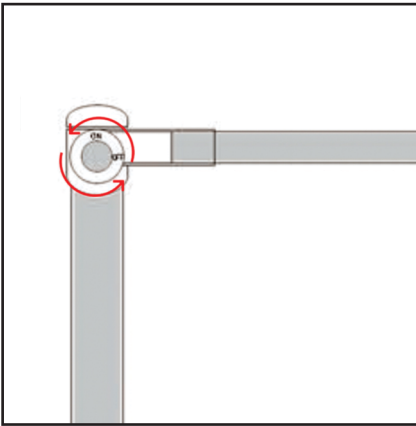
Remark: Place the Anti-suffocation cloth on top of the mattress.



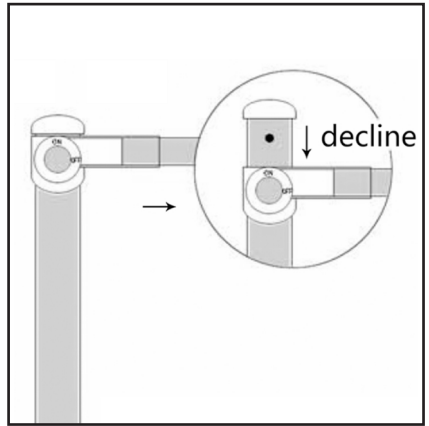
4. When installing more than one bed rail, overlap the concave and convex part of the bottom rod and then use a splice to secure two adjacent bed rails.

For any issues related to installation,
you can contact us at +91- 9254021624

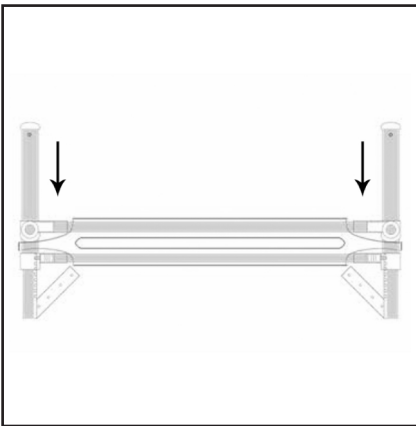
How to Operate the Bed Guard Rail



1. Unlock the grey coloured button by rotating it.



2. Push the top rod downwards and fold the bed rail depending upon the requirement at different time periods.



3. Follow the same process and fold the bed rail from the other side as well.